

KitchenAid®

COMMERCIAL MIXER

INSTRUCTIONS

BATTEUR SUR SOCLE COMMERCIAL

INSTRUCTIONS

BATIDORA CON BASE COMERCIAL

INSTRUCCIONES



1-800-584-4315
Details inside



2 Year Hassle Free Commercial Warranty



We're so confident the quality of our products meets the exacting standards of KitchenAid that, if your Stand Mixer should fail within the first two years of ownership, KitchenAid will arrange to deliver an identical or comparable replacement to your door free of charge and arrange to have your "failed" Stand Mixer returned to us. Your replacement unit will also be covered by our two year full warranty. Please follow these instructions to receive this quality service.

If you reside in the 50 United States or Puerto Rico and your KitchenAid® Stand Mixer should fail within the first two years of ownership, simply call our toll-free Customer Satisfaction Center at **1-800-584-4315**, 8 a.m. to 8 p.m., Monday through Friday Eastern Time. Give the consultant your complete shipping address.

When you receive your replacement Stand Mixer, use the carton and packing materials to pack-up your "failed" Stand Mixer. In the carton, include your name, address, and phone number on a sheet of paper along with a copy of the proof of purchase (register receipt, credit card charge slip, etc.).

For a detailed explanation of warranty terms and conditions, including how to arrange for service outside the United States, see "Warranty" Section.

Proof of Purchase & Product Registration

Always keep a copy of the sales receipt showing the date of purchase of your Stand Mixer. Proof of purchase will assure you of in-warranty service.

Before you use your Stand Mixer, please fill out and mail your product registration card packed with the unit. This card will enable us to contact you in the unlikely

event of a product safety notification and assist us in complying with the provisions of the Consumer Product Safety Act. This card does not verify your warranty.

Please complete the following for your personal records:

Model Number _____

Serial Number _____

Date Purchased _____

Store Name _____

Table of Contents

2 Year Hassle Free Warranty.....	Inside Front Cover
Proof of Purchase & Product Registration Card.....	Inside Front Cover
Stand Mixer Safety.....	4
Warranty.....	5
For the 50 United States, District of Columbia, and Puerto Rico	5
Arranging for Service After the Warranty Expires.....	6
Arranging for Service Outside the 50 United States and Puerto Rico.....	6
Ordering Accessories and Replacement Parts.....	6
Electrical Requirements.....	7
Troubleshooting Problems.....	7
Stand Mixer Features.....	8
Assembling Your Bowl Lift Stand Mixer	9
Using Your KitchenAid® Attachments	10
Mixing Time.....	10
Mixer Use.....	10
Speed Control Guide - 10 Speed Stand Mixers.....	11
Beater To Bowl Clearance.....	12
Using the Bowl Guard	12
Mixing Tips	13
Basic White Bread	14
Care And Cleaning	15

Stand Mixer Safety

Your safety and the safety of others are very important.

We have provided many important safety messages in this manual and on your appliance. Always read and obey all safety messages.



This is the safety alert symbol.

This symbol alerts you to potential hazards that can kill or hurt you and others.

All safety messages will follow the safety alert symbol and either the word "DANGER" or "WARNING." These words mean:

 **DANGER**

You can be killed or seriously injured if you don't immediately follow instructions.

 **WARNING**

You can be killed or seriously injured if you don't follow instructions.

All safety messages will tell you what the potential hazard is, tell you how to reduce the chance of injury, and tell you what can happen if the instructions are not followed.

State of California Proposition 65 Warnings:

WARNING: This product contains one or more chemicals known to the State of California to cause cancer.

WARNING: This product contains one or more chemicals known to the State of California to cause birth defects or other reproductive harm.

IMPORTANT SAFEGUARDS


When using electrical appliances, basic safety precautions should always be followed, including the following:

1. Read all instructions.
2. To protect against risk of electrical shock, do not put Stand Mixer in water or other liquid.
3. Close supervision is necessary when any appliance is used by or near children.
4. Unplug Stand Mixer from outlet when not in use, before putting on or taking off parts and before cleaning.
5. Avoid contacting moving parts. Keep hands, hair, clothing, as well as spatulas and other utensils away from beater during operation to reduce the risk of injury to persons and/or damage to the Stand Mixer.
6. Do not operate Stand Mixer with a damaged cord or plug or after the Stand Mixer malfunctions, or is dropped or damaged in any manner. Call the KitchenAid Customer Satisfaction Center at 1-800-584-4315 for more information.
7. The use of attachments not recommended or sold by KitchenAid may cause fire, electrical shock or injury.
8. Do not use the Stand Mixer outdoors.
9. Do not let the cord hang over edge of table or counter.
10. Remove flat beater, wire whip or dough hook from Stand Mixer before washing.

SAVE THESE INSTRUCTIONS

KitchenAid® Stand Mixer Warranty for the 50 United States, District of Columbia, and Puerto Rico

This warranty extends to the purchaser and any succeeding owner for Stand Mixers operated in the 50 United States, District of Columbia, and Puerto Rico.

Length of Warranty:	KitchenAid Will Pay For Your Choice of:	KitchenAid Will Not Pay For:
<p>Two Year Full Warranty from date of purchase.</p>	<div style="text-align: center;">  <p>The seal is circular with a gear-like border. Inside the border, it says 'TWO YEAR WARRANTY' at the top and 'DOS AÑOS DE GARANTÍA' at the bottom. In the center, there is a banner with the 'KitchenAid' logo.</p> </div> <p>Hassle-Free Replacement of your stand mixer. See inside front cover for details on how to arrange for service, or call the Customer Satisfaction Center toll-free at 1-800-584-4315.</p> <p>OR</p> <p>The replacement parts and repair labor costs to correct defects in materials and workmanship.</p>	<p>A. Damage resulting from accident, alteration, misuse or abuse.</p> <p>B. Replacement parts or repair labor costs for Stand Mixers operated outside the 50 United States, District of Columbia, and Puerto Rico.</p>

KITCHENAID DOES NOT ASSUME ANY RESPONSIBILITY FOR INCIDENTAL OR CONSEQUENTIAL DAMAGES. Some states do not allow the exclusion or limitation of incidental or consequential damages, so this exclusion may not apply to you. This warranty gives you specific legal rights and you may also have other rights which vary from state to state.

Arranging for Service After the Warranty Expires

For service information, call toll-free
1-800-584-4315 or write to:

Customer Satisfaction Center,
KitchenAid Portable Appliances,
P.O. Box 218, St. Joseph, MI 49085-0218.

Arranging for Service Outside the 50 United States and Puerto Rico

Consult your local KitchenAid dealer or
the store where you purchased the stand

mixer for information on how to obtain
service.

Ordering Accessories and Replacement Parts

To order accessories or replacement
parts for your Stand Mixer, call toll-free
1-800-584-4315 or write to:

Customer Satisfaction Center,
KitchenAid Portable Appliances,
P.O. Box 218, St. Joseph, MI 49085-0218.

Electrical Requirements

Volts: 120 A.C. only. Hertz: 60
The power rating for your Stand Mixer is printed on the trim brand or on the serial plate.

Model KSM7990 Only:

Volts	120
Horsepower	1.3*
Hertz	60

Do not use an extension cord. If the power supply cord is too short, have a qualified electrician or serviceman install an outlet near the appliance.

⚠ WARNING



Electrical Shock Hazard

Plug into a grounded 3 prong outlet.

Do not remove ground prong.

Do not use an adapter.

Do not use an extension cord.

Failure to follow these instructions can result in death, fire, or electrical shock.

Troubleshooting Problems

Please read the following before calling your service center.

1. The Stand Mixer may warm up during use. Under heavy loads with extended mixing time periods, you may not be able to comfortably touch the top of the Stand Mixer. This is normal.
2. The Stand Mixer may emit a pungent odor, especially when new. This is common with electric motors.
3. If the flat beater hits the bowl, stop the Stand Mixer. See "Beater to Bowl Clearance".

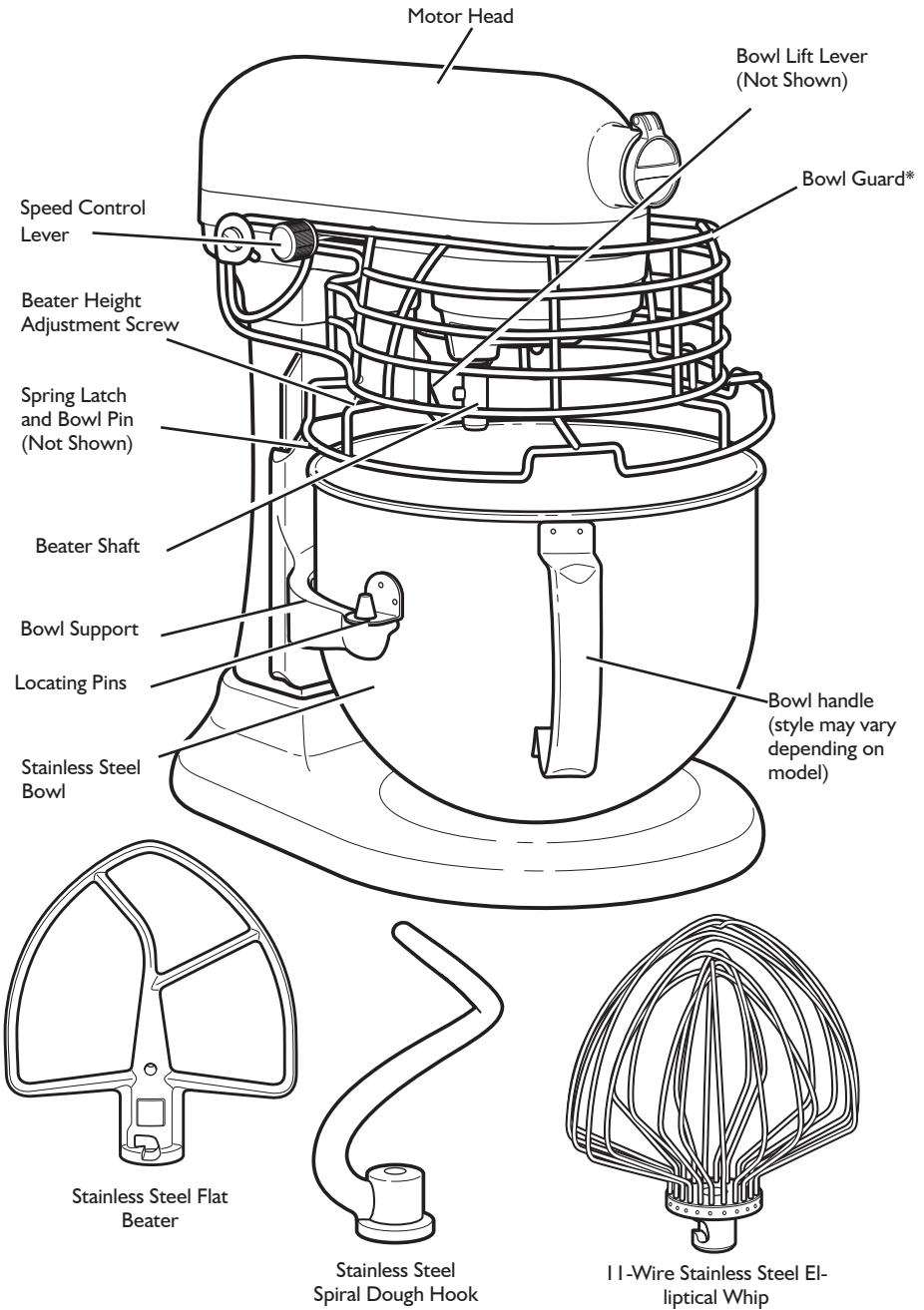
If your Stand Mixer should malfunction or fail to operate, please check the following:

- Is the Stand Mixer plugged in?
- Is the fuse in the circuit to the Stand Mixer in working order? If you have a circuit breaker box, be sure the circuit is closed.
- Turn the Stand Mixer off for 10-15 seconds, then turn it back on. If the mixer still does not start, allow it to cool for 30 minutes before turning it back on.

If the problem is not due to one of the above items, see the KitchenAid® Warranty. Do not return the Stand Mixer to the retailer, as they do not provide service.

* Motor horsepower for our mixer motors was measured using a dynamometer, a machine laboratories routinely use to measure the mechanical power of motors. Our 1.3 horsepower (HP) motor reference reflects the horsepower rating of the motor itself and not the mixer's horsepower output to the mixer bowl. This robust motor, the backbone of our new mixer, delivers .44 HP to the bowl enabling your mixer to deliver consistent power to small and large loads with less heat build-up; resulting in years of dependable mixing. When combined with and guided by our new advanced motor control board, this is our longest lasting and most efficient motor yet. Simply put, our new, highly efficient, special purpose motor delivers the power you need when you need it.

Stand Mixer Features



*Included with select models. Picture may vary from product depending on model.

Assembling Your Bowl Lift Stand Mixer

⚠ WARNING



Electrical Shock Hazard

Plug into a grounded 3 prong outlet.

Do not remove ground prong.

Do not use an adapter.

Do not use an extension cord.

Failure to follow these instructions can result in death, fire, or electrical shock.

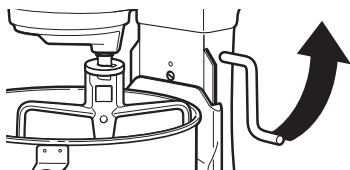
To Attach Bowl

1. Turn speed control to OFF.
2. Unplug Stand Mixer or disconnect power.
3. Place bowl lift lever in down position.
4. Fit bowl supports over locating pins.
5. Press down on back of bowl until bowl pin snaps into spring latch.
6. Raise bowl before mixing.
7. Plug into a grounded 3 prong outlet or reconnect power.

To Remove Bowl

1. Turn speed control to OFF.
2. Unplug Stand Mixer or disconnect power.
3. Place bowl lift lever in down position
4. Remove flat beater, wire whip, or dough hook.
5. Grasp bowl handle and lift straight up and off locating pins.

To Raise Bowl



1. Rotate lever to straight-up position.
2. Bowl must always be in raised, locked position when mixing.

To Lower Bowl

1. Rotate lever back and down.

To Attach Flat Beater, Wire Whip, or Dough Hook

1. Turn speed control to OFF.
2. Unplug Stand Mixer or disconnect power.
3. Slip flat beater on beater shaft and press upward as far as possible.
4. Turn beater to right, hooking beater over the pin on shaft.
5. Plug into a grounded 3 prong outlet or reconnect power.



To Remove Flat Beater, Wire Whip, or Dough Hook

1. Turn speed control to OFF.
2. Unplug Stand Mixer or disconnect power.
3. Press beater upward as far as possible and turn left.
4. Pull beater from beater shaft.
5. Plug into a grounded 3 prong outlet or reconnect power.

Commercial Stand Mixer SPEED Control and Lever Guard



The Soft Start™ feature minimizes splash-out by starting the mixer slowly before increasing to the selected speed. To further reduce the potential for splash-out, always begin mixing using the STIR speed, then gradually move to higher speeds as needed. See “Speed Control Guide”.

Auto-Reset Motor Protection

If the Stand Mixer stops due to overload, slide the speed control lever to OFF. After a few minutes, the stand mixer will automatically reset. Slide the Speed Control Lever to the desired speed and continue mixing. If the Stand Mixer does not restart, see “Troubleshooting Problems”.

Using Your KitchenAid® Attachments

Flat Beater for normal to heavy mixtures:

cakes	biscuits
creamed frostings	quick breads
candies	meat loaf
cookies	mashed potatoes
pie pastry	

Wire Whip for mixtures that need air incorporated:

eggs	sponge cakes
egg whites	angel food cakes
heavy cream	mayonnaise
boiled frostings	some candies

Dough Hook for mixing and kneading yeast doughs:

bread	coffee cakes
rolls	buns

Mixing Time

Your KitchenAid® Stand Mixer will mix faster and more thoroughly than most other electric stand mixers. Therefore, the mixing time in most recipes must

be adjusted to avoid overbeating. With cakes, for example, beating time may be half as long as with other stand mixers.

Mixer Use

⚠ WARNING

Injury Hazard

Unplug mixer before touching beaters.

Failure to do so can result in broken bones, cuts, or bruises.

The Stand Mixer may warm up during use. Under heavy loads with extended mixing time, you may not be able to comfortably touch the top of the Stand Mixer. This is normal.

If the Stand Mixer becomes overloaded, it will automatically shut off to prevent damage. See “Auto-Reset Motor Protection”.

NOTE: Do not scrape bowl while Stand Mixer is operating.

The bowl and beater are designed to provide thorough mixing without frequent scraping. Scraping the bowl once or twice during mixing is usually sufficient. Turn Stand Mixer off before scraping.

Speed Control Guide – 10 Speed Stand Mixers

All speeds feature Soft Start™ operation, which minimizes splash-out and flour puff. The mixer will start slowly before increasing to the selected speed.

Number of Speed

Speed

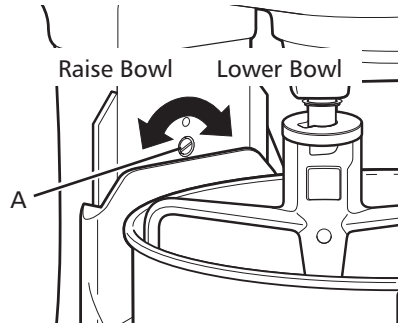
Stir	STIR	For slow stirring, combining, mashing, starting all mixing procedures. Use to add flour and dry ingredients to batter, and add liquids to dry ingredients. Do not use STIR speed to mix or knead yeast doughs.
2	SLOW MIXING	For slow mixing, mashing, faster stirring. Use to mix and knead yeast doughs, heavy batters and candies; start mashing potatoes or other vegetables; cut shortening into flour; mix thin or splashy batters.
4	MIXING, BEATING	For mixing semi-heavy batters, such as cookies. Use to combine sugar and shortening and to add sugar to egg whites for meringues. Medium speed for cake mixes.
6	BEATING, CREAMING	For medium-fast beating (creaming) or whipping. Use to finish mixing cake, doughnut, and other batters. High speed for cake mixes.
8	FAST BEATING, WHIPPING	For whipping cream, egg whites, and boiled frostings.
10	FAST WHIPPING	For whipping small amounts of cream, egg whites or for final whipping of mashed potatoes.

NOTE: Use speed 2 to mix or knead yeast dough or fondants. Use of any other speed with heavy doughs may cause mixer to stop rotating to limit mixer damage. This is normal operation. If this occurs, turn the speed selector to off, and then turn back on to a lower speed.

Beater to Bowl Clearance

Your Stand Mixer is adjusted at the factory so the flat beater just clears the bottom of the bowl. If, for any reason, the flat beater hits the bottom of the bowl or is too far away from the bowl, you can correct the clearance easily.

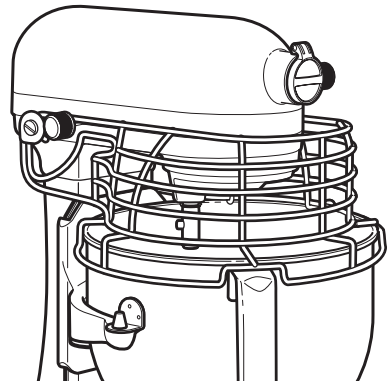
1. Unplug Stand Mixer or disconnect power.
2. Place bowl lift lever in down position.
3. Attach flat beater.
4. Adjust so flat beater just clears bottom surface of bowl when in lifted position by turning screw (A) counterclockwise to raise the bowl and clockwise to lower the bowl. Just a slight turn is all that is required: the screw will not rotate more than 1/4 turn (90 degrees) in either direction. (The full range of adjustment is 1/2 turn, or 180 degrees.)
5. Place bowl lift lever in up position to check clearance.
6. Repeat steps 4 and 5 if necessary.



NOTE: When properly adjusted, the flat beater will not strike on the bottom or side of the bowl. If the flat beater or the wire whip is so close that it strikes the bottom of the bowl, the beater or whip may wear.

Using the Bowl Guard*

If your Stand Mixer comes with a bowl guard, make sure that the guard is returned to the down position before beginning to use the Stand Mixer. The Stand Mixer will not run if the bowl guard is not in the proper position.



*Included with select models. Picture may vary from product depending on model.

Mixing Tips

Using Your Recipes with the Mixer

There are a number of methods that can be used for making cake with your KitchenAid® Stand Mixer.

For example, the “quick mix” method (sometimes referred to as the “dump” method) is ideal for simple cakes, such as yellow cake and white cake. This method calls for combining dry ingredients with most or all liquid ingredients in one step.

More elaborate cakes, such as a torte, should be prepared using the traditional cake mixing method. With this method, sugar and the shortening, butter, or margarine are thoroughly mixed (creamed) before other ingredients are added. For all cakes, mixing times may change because your KitchenAid® Stand Mixer works more quickly than other mixers. In general, mixing a cake with the KitchenAid® Stand Mixer will take about half the time called for in most cake recipes.

To help determine the ideal mixing time, observe the batter or dough and mix only until it has the desired appearance described in your recipe, such as “smooth and creamy.”

To select the best mixing speeds, see “Speed Control Guide”.

Adding Ingredients

Always add ingredients as close to side of bowl as possible, not directly into moving beater.

NOTE: If ingredients in very bottom of bowl are not thoroughly mixed, then the beater is not far enough into the bowl. See “Beater to Bowl Clearance”.

Cake Mixes

When preparing packaged cake mixes, use Speed 2 for low speed, Speed 4 for medium speed, and Speed 6 for high speed. For best results, mix for the time stated on the package directions.

Adding Nuts, Raisins, or Candied Fruits

In general, solid materials should be folded in the last few seconds of mixing on Stir Speed. The batter should be thick enough to prevent the fruit or nuts from sinking to the bottom of the pan during baking. Sticky fruits should be dusted with flour for better distribution in the batter.

Liquid Mixtures

Mixtures containing large amounts of liquid ingredients should be mixed at lower speeds to avoid splashing. Increase speed only after mixture has thickened.

Basic White Bread

- 1/3 cup (80 mL)
low-fat milk*
- 2 tbs (30 mL) sugar*
- 2 tsp (10 mL) salt*
- 2 tbs (30 mL) butter or
margarine*
- 1 1/2 packages active dry yeast*
 - 1 cup (240 mL)
warm water
(105°F to 115°F)
[40°C to 46° C]*
 - 4 cups (950 mL)
all-purpose flour*

Place milk, sugar, salt, and butter in small saucepan. Heat over low heat until butter melts and sugar dissolves. Cool to lukewarm.

Dissolve yeast in warm water in warmed mixer bowl. Add lukewarm milk mixture and 4 1/2 cups (1 L) flour. Attach bowl and dough hook to mixer. Turn to Speed 2 and mix about 1 minute.

Continuing on Speed 2, add remaining flour, 1/2 cup (120 mL) at a time, and mix about 1-1/2 minutes, or until dough starts to clean sides of bowl. Knead on Speed 2 about 2 minutes longer, or until dough is smooth and elastic. Dough will be slightly sticky to the touch.

Place dough in greased bowl, turning to grease top. Cover. Let rise in warm place, free from draft, about 1 hour, or until doubled in bulk.

Punch dough down and divide in half. Shape each half into a loaf, and place in greased 8-1/2 x 4-1/2 x 2-1/2" (21.25 x 11.25 x 6.25 cm) baking pans. Cover. Let rise in warm place, free from draft, about 1 hour, or until doubled in bulk.

Bake at 400°F (200°C) for 30 minutes, or until golden brown. Remove from pans immediately and cool on wire racks.

Yield: 32 servings (16 slices per loaf).

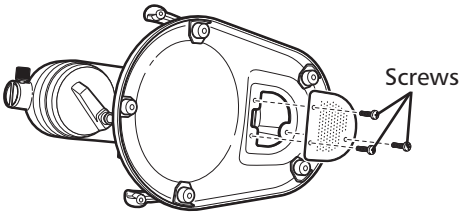
Per serving: About 95 cal, 3 g protein, 18 g carb, 1 g fat, 0 mg chol, 148 mg sodium.

Care and Cleaning

- Unplug the Stand Mixer before cleaning or disconnect power.
- Stainless steel bowl, flat beater, wire whip, and spiral dough hook may be washed in an automatic dishwasher. Or, clean them thoroughly in hot sudsy water and rinse completely before drying. Do not store beaters on shaft.
- The bowl is dishwasher-safe. It can also be hand-washed in hot sudsy water, rinsed thoroughly, and dried.
- Wipe the Stand Mixer with a clean damp cloth. Do not use abrasive cleansers or scouring pads and do not immerse the Stand Mixer in water.
- Wipe the beater shaft frequently, removing any residue that may accumulate.

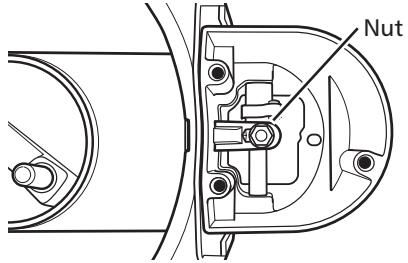
To remove the Bowl Support for cleaning

1. Unplug Stand Mixer or disconnect power.
2. Remove the Stand Mixer base by removing the 3 screws located on the bottom of the mixer. Remove the vent screen and the mixer base.

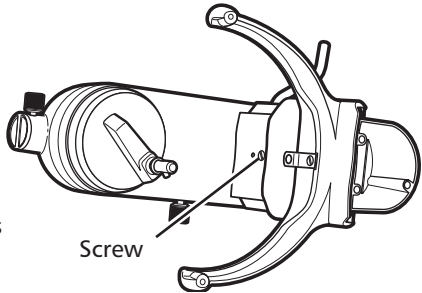


3. Remove the nut from the lifter rod located inside the column, then remove the washer and spring.

NOTE: Note the order that they were assembled (the washer goes between the spring and nut), for reassembly.

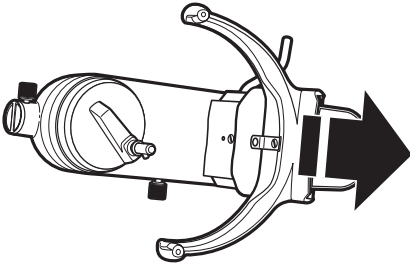


4. Loosen the screw holding the bowl clip to the front of the bowl support – it is not necessary to remove the screw all of the way. This allows the bowl support to slide down.



Care and Cleaning (cont.)

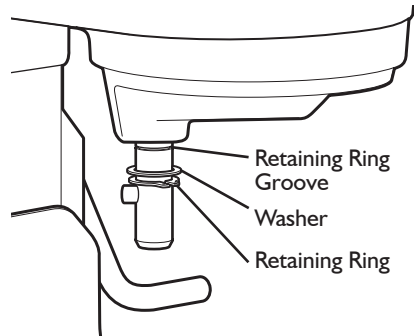
- Slide the bowl support down so that the tabs on the back of the bowl support line up with the slots in the column. Remove the bowl support by passing the tabs through the slots.



- Clean the bowl support and column with the mild detergent and a wash cloth. Do not use abrasive cleansers or scouring pads.
- To reassemble, reverse steps 1 through 6.

Planetary Cleaning Instructions

- Unplug the Stand Mixer or disconnect the power.
- Remove the retaining ring with retaining ring pliers, slide the ring and the washer down the shaft.



- Clean the shaft, retaining ring, and washer with a mild detergent and wash cloth. Do not use abrasive cleaners or scouring pads. Do not immerse the stand mixer in water.
- To reassemble, reverse steps 1 through 4, making sure retaining ring is fully seated into groove.

Flat Beater Cleaning Instructions

- To clean the drain hole in the flat beater, use a small round brush, toothpick, or skewer to run through the hole.

Commercial garantie de 2 ans satisfaction totale



Nous sommes tellement certains que la qualité de nos produits satisfait aux normes

exigeantes de KitchenAid que, si votre batteur sur socle cesse de fonctionner au cours des deux premières années suivant son acquisition, KitchenAid livrera gratuitement à votre porte un appareil de remplacement identique ou comparable et prendra en charge le renvoi du batteur « défectueux ». L'appareil de remplacement sera également couvert par notre garantie complète de deux ans. Veuillez suivre ces instructions pour bénéficier de ce service de qualité.

Si vous résidez dans les 50 États des États-Unis or Puerto Rico

et que votre batteur sur socle KitchenAid® cesse de fonctionner au cours des deux premières années suivant son acquisition, il suffit d'appeler le numéro sans frais 1-800-584-4315 du Centre de satisfaction de la clientèle du lundi au vendredi, de 8 h à 20 h. Veuillez fournir votre adresse de livraison complète au représentant.

À réception du batteur sur socle de remplacement, utilisez le carton et les matériaux d'emballage pour emballer le batteur « défectueux ». Veuillez inscrire vos nom, adresse, et numéro de téléphone sur une feuille de papier et l'insérer dans le carton avec une copie de votre preuve d'achat (reçu de caisse, facture de règlement par carte de crédit, etc.).

Pour une explication détaillée des termes et conditions de la garantie, y compris la manière d'obtenir une réparation à l'extérieur des États-Unis, consultez la section « Garantie »

Preuve d'achat et enregistrement du produit

Conservez toujours une copie du reçu de caisse indiquant la date d'achat de votre batteur sur socle. La preuve d'achat vous assure de bénéficier du service sous-garantie.

Avant d'utiliser votre batteur sur socle, veuillez remplir et poster la carte d'enregistrement du produit, emballée avec l'appareil. Grâce à cette

carte, nous pourrons vous contacter dans l'éventualité improbable d'un avis de sécurité concernant le produit; ceci nous aidera aussi à nous conformer aux dispositions du Consumer Product Safety Act. Cette carte ne confirme pas la validité de votre garantie.

Veuillez remplir ce qui suit pour vos dossiers :

Numéro de modèle _____

Numéro de série _____

Date d'achat _____

Nom du magasin _____

Table des matières

Garantie de 2 ans satisfaction totale.....	17
Preuve d'achat et carte d'enregistrement du produit.....	17
Sécurité batteur sur socle.....	19
Garantie.....	20
Pour les 50 États des États-Unis, district fédéral de Columbia, et le Porto Rico.....	20
Obtenir une réparation hors garantie.....	21
Obtenir un service de dépannage hors des 50 États des États-Unis et de Porto Rico.....	21
Commander des accessoires et des pièces de rechange.....	21
Spécifications électriques.....	22
Dépannage.....	22
Caractéristiques du batteur sur socle.....	23
Assemblage du batteur lève-bol sur socle.....	24
Utilisation des accessoires KitchenAid®.....	26
Durée de mélange.....	26
Utilisation du batteur.....	26
Guide de réglage de la vitesse – Batteurs à 10 vitesses.....	27
Espace entre batteur et bol.....	28
Conseils pour mélanger.....	29
Pain blanc de base.....	30
Entretien et nettoyage.....	31

Sécurité Batteur sur Socle

Votre sécurité et celle des autres est très importante.

Nous donnons de nombreux messages de sécurité importants dans ce manuel et sur votre appareil ménager. Assurez-vous de toujours lire tous les messages de sécurité et de vous y conformer.



Voici le symbole d'alerte de sécurité.

Ce symbole d'alerte de sécurité vous signale les dangers potentiels de décès et de blessures graves à vous et à d'autres.

Tous les messages de sécurité suivront le symbole d'alerte de sécurité et le mot "DANGER" ou "AVERTISSEMENT". Ces mots signifient :

! DANGER

Risque possible de décès ou de blessure grave si vous ne suivez pas immédiatement les instructions.

! AVERTISSEMENT

Risque possible de décès ou de blessure grave si vous ne suivez pas les instructions.

Tous les messages de sécurité vous diront quel est le danger potentiel et vous disent comment réduire le risque de blessure et ce qui peut se produire en cas de non-respect des instructions.

Avertissements de la proposition 65 de l'État de Californie :

AVERTISSEMENT : Ce produit contient au moins un produit chimique connu par l'État de Californie pour être à l'origine de cancers.

AVERTISSEMENT : Ce produit contient au moins un produit chimique connu par l'État de Californie pour être à l'origine de malformations et autres déficiences de naissance.

CONSIGNES DE SÉCURITÉ IMPORTANTES


Lors de l'utilisation d'appareils électriques, il faut toujours observer certaines précautions élémentaires de sécurité, y compris les suivantes :

1. Lire toutes les instructions.
2. Pour éviter tout risque de choc électrique, ne pas immerger le batteur sur socle dans de l'eau ou tout autre liquide.
3. Une surveillance étroite s'impose lorsqu'un appareil ménager est utilisé par des enfants ou à leur proximité.
4. Débrancher le batteur sur socle lorsqu'il n'est pas utilisé, avant d'installer ou de retirer des accessoires et avant de le nettoyer.
5. Éviter tout contact avec les pièces en mouvement. Tenir les mains, cheveux, vêtements et les spatules ou autres ustensiles à l'écart du batteur, du crochet ou du fouet lors du fonctionnement afin de réduire le risque de blessures corporelles et (ou) d'endommagement du batteur sur socle.
6. Ne pas faire fonctionner le batteur sur socle si le cordon ou la prise est endommagé(e), ou si le batteur ne fonctionne pas correctement, s'il est tombé ou a été endommagé d'une quelconque façon. Contacter le Centre de satisfaction de la clientèle KitchenAid® au 1-800-584-4315 pour plus de renseignements.
7. L'utilisation d'accessoires non recommandés ou non vendus par KitchenAid® peut causer un incendie, un choc électrique ou des blessures.
8. Ne pas utiliser le batteur sur socle à l'extérieur.
9. Ne pas laisser le cordon pendre du rebord d'une table ou d'un plan de travail.
10. Retirer le batteur plat, le fouet métallique ou le crochet pétrisseur du batteur sur socle avant de les laver.

CONSERVER CES INSTRUCTIONS

Garantie du batteur sur socle KitchenAid® pour les 50 États des États-Unis, district fédéral de Columbia, et le Porto Rico

La présente garantie couvre l'acheteur et les propriétaires ultérieurs du batteur sur socle lorsqu'il est utilisé dans les 50 États des États-Unis, district fédéral de Columbia, et le Porto Rico.

Durée de la garantie :	À votre choix, KitchenAid prendra en charge :	KitchenAid ne prendra pas en charge :
<p>Garantie complète de deux ans à compter de la date d'achat.</p>	<div style="text-align: center;">  <p>KitchenAid</p> </div> <p>Satisfaction totale dans le remplacement du batteur sur socle. Voir la deuxième de couverture pour les détails concernant la manière d'obtenir une réparation ou le remplacement, ou appeler le numéro sans frais 1-800-584-4315 du centre de satisfaction de la clientèle.</p> <p>OU</p> <p>Les frais de pièces de rechange et de main-d'œuvre pour corriger les vices de matériaux et de fabrication.</p>	<p>A. Les dommages causés par accident, altération, mésusage ou abus.</p> <p>B. Les frais des pièces de rechange ou de main d'œuvre pour le batteur sur socle lorsqu'il est utilisé à l'extérieur des 50 États des États-Unis, district fédéral de Columbia, et le Porto Rico.</p>

KITCHENAID DÉCLINE TOUTE RESPONSABILITÉ AU TITRE DES DOMMAGES FORTUITS OU INDIRECTS. Certains États ne permettent pas l'exclusion ou la limitation des dommages fortuits ou indirects; aussi cette exclusion ou limitation peut ne pas s'appliquer dans votre cas. Cette garantie vous confère des droits juridiques spécifiques et vous pouvez également jouir d'autres droits qui peuvent varier d'un État à l'autre.

Obtenir une réparation hors garantie

Pour obtenir des informations sur le service de dépannage, appeler le numéro sans frais 1-800-584-4315 ou écrire à :

Customer Satisfaction Center,
KitchenAid Portable Appliances
P.O. Box 218 St. Joseph, MI 49085-0218.

Obtenir un service de dépannage hors des 50 États des États-Unis et de Porto Rico

Pour obtenir un service de dépannage, demander la marche à suivre au

distributeur local KitchenAid® ou au détaillant chez qui le batteur sur socle a été acheté.

Commander des accessoires et des pièces de rechange

Pour commander des accessoires ou des pièces de rechange pour le batteur sur socle, appeler le numéro sans frais 1-800-584-4315 ou écrire à :

Customer Satisfaction Center,
KitchenAid Portable Appliances,
P.O. Box 218, St. Joseph, MI 49085-0218.

Spécifications électriques

Tension : 120 volts CA uniquement.
Fréquence : 60 Hertz
La puissance nominale du batteur sur socle est imprimée sur la bande d'habillage ou sur la plaque signalétique.

Modèle KSM7990 uniquement :

Tension : 120 volts
Puissance : 1,3 HP*
Fréquence : 60 Hz

Ne pas utiliser de câble de rallonge.
Si le cordon d'alimentation électrique est trop court, faire installer une prise près de l'appareil électroménager par un électricien ou un technicien de service qualifié.

AVERTISSEMENT



Risque de choc électrique

Brancher sur une prise à 3 alvéoles reliée à la terre.

Ne pas enlever la broche de liaison à la terre.

Ne pas utiliser un adaptateur.

Ne pas utiliser un câble de rallonge.

Le non-respect de ces instructions peut causer un décès, un incendie ou un choc électrique.

Dépannage

Veillez lire ce qui suit avant d'appeler le centre de dépannage.

1. Il est possible que le batteur sur socle chauffe durant son utilisation. Lorsque l'on mélange des préparations à consistance épaisse pendant une période prolongée, il est possible que le dessus du batteur sur socle soit chaud au toucher. Ceci est normal.
2. Il est possible que le batteur sur socle produise une odeur âcre, surtout lorsqu'il est neuf. Ce phénomène est fréquent avec les moteurs électriques.
3. Si le batteur plat frappe le bol, éteindre le batteur sur socle. Voir "Dégagement entre le batteur plat et le bol".

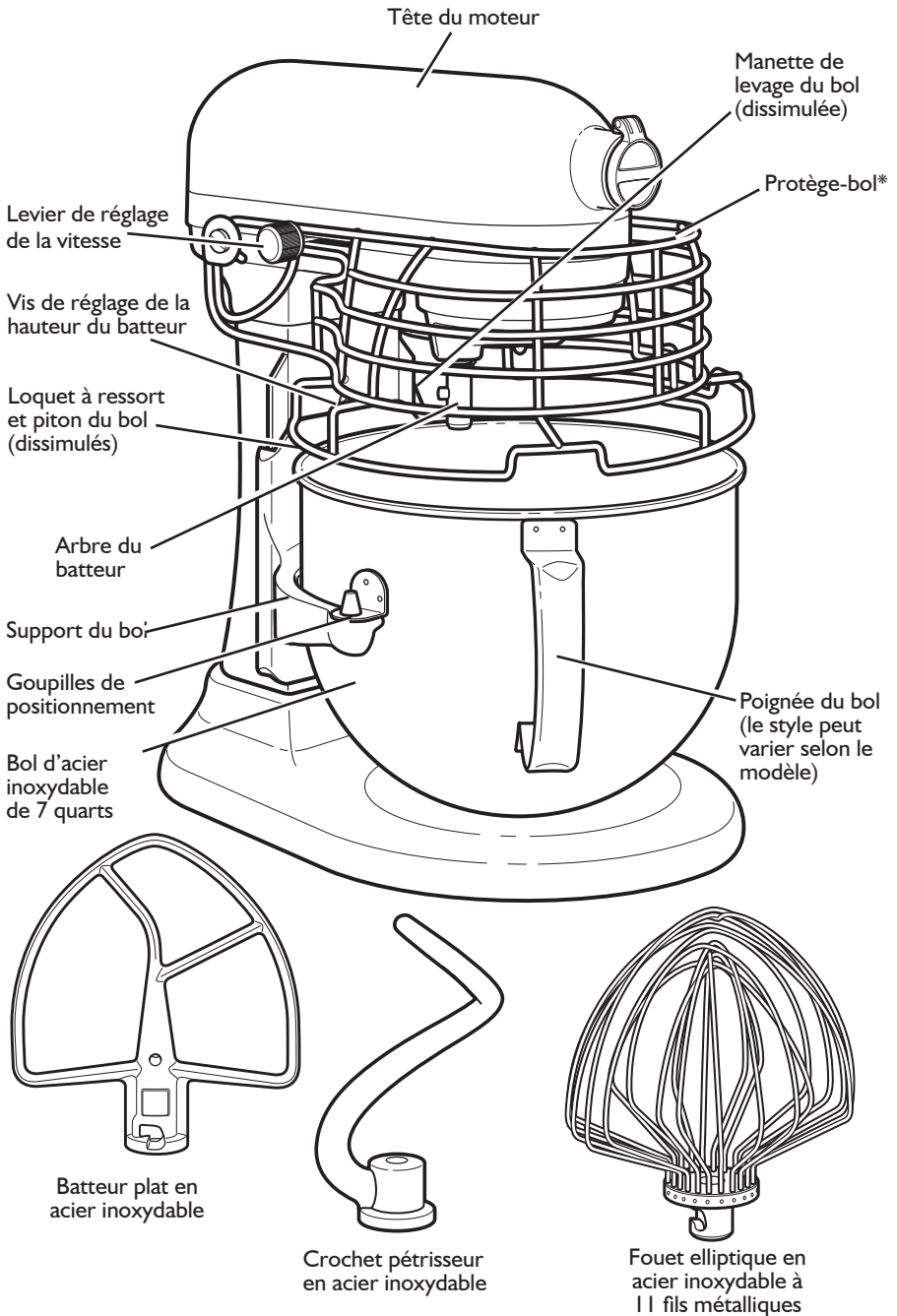
Si le batteur sur socle fonctionne mal ou ne fonctionne pas, vérifier ce qui suit :

- Le batteur sur socle est-il branché?
- Le fusible du circuit alimentant le batteur sur socle est-il en bon état? Si l'on possède un disjoncteur, s'assurer que le circuit est fermé.
- Éteindre le batteur sur socle pendant 10 à 15 secondes puis le rallumer. Si le batteur ne se remet pas en route, le laisser refroidir pendant 30 minutes avant de le refaire fonctionner.

Si le problème n'est pas attribuable à l'une des raisons indiquées ci-dessus, voir la garantie KitchenAid®. Ne pas retourner le batteur sur socle au détaillant car celui-ci n'assure aucun service après-vente.

* La puissance chevaux-vapeur des moteurs de nos batteurs a été évaluée à l'aide d'un dynamomètre, un appareil de laboratoire couramment utilisé pour mesurer la puissance des moteurs. Notre moteur de 1,3 cheval-vapeur indique la puissance en chevaux-vapeur du moteur lui-même et non la puissance en chevaux-vapeur appliquée au bol par le batteur. Ce moteur robuste, la véritable épine dorsale de notre nouveau batteur, administre au bol une puissance de 0,44 CH, ce qui permet au batteur d'utiliser un niveau de puissance constant pour les petites et grosses préparations avec une moindre accumulation de chaleur. Cela garantit ainsi des années d'utilisation fiable. Associé et guidé par notre nouveau module de commande de moteur avancé, il s'agit là de notre moteur le plus durable et le plus efficace à ce jour. En bref, notre nouveau moteur haute efficacité à fonction ciblée vous offre toute la puissance que vous recherchez, en temps voulu.

Caractéristiques du batteur sur socle



* Compris avec certains modèles. Selon le modèle, l'illustration peut différer du produit réel.

Assemblage du batteur lève-bol sur socle

⚠ AVERTISSEMENT



Risque de choc électrique

Brancher sur une prise à 3 alvéoles reliée à la terre.

Ne pas enlever la broche de liaison à la terre.

Ne pas utiliser un adaptateur.

Ne pas utiliser un câble de rallonge.

Le non-respect de ces instructions peut causer un décès, un incendie ou un choc électrique.

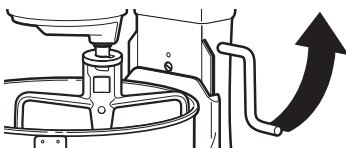
Pour fixer le bol

1. Placer la commande de vitesse sur OFF (arrêt).
2. Débrancher le batteur sur socle ou déconnecter la source de courant électrique.
3. Abaisser la manette de levage du bol.
4. Placer les supports du bol sur les goupilles de positionnement.
5. Appuyer sur l'arrière du bol jusqu'à ce que chaque goupille s'emboîte dans le loquet à ressort.
6. Soulever le bol avant de procéder au mélange.
7. Brancher sur une prise à 3 alvéoles reliée à la terre ou reconnecter la source de courant électrique.

Pour retirer le bol

1. Placer la commande de vitesse sur OFF (arrêt).
2. Débrancher le batteur sur socle ou déconnecter la source de courant électrique.
3. Abaisser la manette de levage du bol.
4. Retirer le batteur plat, le fouet métallique ou le crochet pétrisseur.
5. Saisir le bol par sa poignée et le soulever tout droit pour le dégager des goupilles de positionnement.

Pour élever le bol



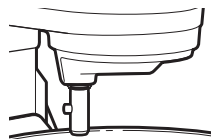
1. Faire pivoter la manette pour la placer en position verticale.
2. Le bol doit toujours être verrouillé en position élevée lors du mélange.

Pour abaisser le bol

1. Faire pivoter la manette vers l'arrière, puis vers le bas.

Pour fixer le batteur plat, le fouet métallique ou le crochet pétrisseur

1. Placer la commande de vitesse sur OFF (arrêt).
2. Débrancher le batteur sur socle ou déconnecter la source de courant électrique.
3. Insérer le batteur plat sur l'arbre du batteur et l'enfoncer vers le haut aussi loin que possible.
4. Tourner le batteur vers la droite en l'accrochant sur le piton de l'arbre.
5. Brancher sur une prise à 3 alvéoles reliée à la terre ou reconnecter la source de courant électrique.

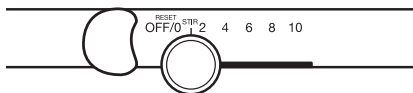


Assemblage du batteur lève-bol sur socle (suite)

Pour retirer le batteur plat, le fouet métallique ou le crochet pétrisseur

1. Placer la commande de vitesse sur OFF (arrêt).
2. Débrancher le batteur sur socle ou déconnecter la source de courant électrique.
3. Enfoncer le batteur le plus loin possible vers le haut et le tourner vers la gauche.
4. Retirer le batteur de l'arbre du batteur.
5. Brancher sur une prise à 3 alvéoles reliée à la terre ou reconnecter la source de courant électrique.

Protège-levier et commande de VITESSE du batteur commercial sur socle



La caractéristique Soft Start™ permet de minimiser les éclaboussures en démarrant le batteur lentement avant d'augmenter la vitesse jusqu'à celle souhaitée. Afin de réduire le risque d'éclaboussure, toujours utiliser la vitesse STIR (brassage) pour commencer le mélange, puis amener graduellement le batteur à une vitesse supérieure selon les besoins. Voir "Guide de réglage de la vitesse".

Fonction protectrice d'auto-réinitialisation du moteur

Si le batteur sur socle s'interrompt en raison d'une surtension, faire glisser le levier de réglage de la vitesse à OFF (arrêt). Le batteur sur socle se réinitialise automatiquement après quelques minutes. Faire glisser le levier de réglage de la vitesse jusqu'à la vitesse souhaitée et poursuivre le mélange. Si l'appareil ne se remet pas en marche, voir "Problèmes de dépannage".

Utilisation des accessoires KitchenAid®

Batteur plat pour les préparations de consistance normale à épaisse :

gâteaux	biscuits
glaçages crémeux	pains éclairs
confiseries	pains de viande
biscuits	potatoes en purée
pâtes à tarte	

Fouet métallique pour les préparations dans lesquelles de l'air doit être incorporé :

œufs	gâteaux éponge
blancs d'œufs	gâteaux des anges
crème épaisse	mayonnaise
glaçages cuits	certaines confiseries

Crochet pétrisseur pour mélanger et pétrir des pâtes au levain :

pain	brioches
petits pains	petits pains sucrés

Durée de mélange

Votre batteur sur socle KitchenAid® mélangera plus vite et plus efficacement que la plupart des batteurs sur socle électriques. La durée de mélange doit donc être ajustée pour la plupart

des recettes afin d'éviter de battre la préparation trop longtemps. Pour les gâteaux, par exemple, la durée de mélange peut être deux fois moins longue qu'avec des batteurs sur socle traditionnels.

Utilisation du batteur

AVERTISSEMENT

Risque de blessure

Débrancher le batteur avant de toucher aux fouets.

Le non-respect de cette instruction peut entraîner des fractures d'os, des coupures ou des bleus.

REMARQUE : Ne pas racler les parois du bol pendant le fonctionnement du batteur sur socle.

Le bol et le batteur plat sont conçus pour permettre un mélange plus efficace sans avoir à racler fréquemment les parois du bol. Il n'est généralement pas nécessaire de racler les parois du bol plus d'une à deux fois pendant le mélange. Éteindre le batteur avant de racler les parois du bol.

Il est possible que le batteur sur socle chauffe durant son utilisation. Lorsque l'on mélange des préparations à consistance épaisse pendant une période prolongée, il se peut que le dessus du batteur sur socle soit chaud au toucher. Ceci est normal.

Si le batteur sur socle subit une surtension, il s'éteindra automatiquement pour éviter tout dommage. Voir "Fonction protectrice d'auto-réinitialisation du moteur".

Guide de réglage de la vitesse – Batteurs sur socle à 10 vitesses

Toutes les vitesses disposent de la fonction Soft Start™ qui déclenche le démarrage progressif à basse vitesse du batteur avant de passer à la vitesse sélectionnée, afin de minimiser les éclaboussures et nuages de farine.

Nombre de vitesses

Vitesse

Remuer	STIR (REMUER)	Pour remuer lentement, lier, écraser les ingrédients et démarrer toutes les procédures de mélange. Utiliser cette vitesse pour incorporer la farine et les ingrédients secs à une pâte et pour incorporer des liquides à des ingrédients secs. Ne pas utiliser la vitesse STIR pour mélanger ou pétrir les pâtes à base de levain.
2	SLOW MIXING (MÉLANGER LENTEMENT)	Pour mélanger lentement, écraser et remuer plus rapidement. Utiliser cette vitesse pour mélanger et pétrir les pâtes à base de levain, les pâtes épaisses et les confiseries; pour commencer à réduire en purée les pommes de terre ou autres légumes; pour sabler le shortening avec la farine; pour mélanger les pâtes légères ou celles susceptibles d'éclabousser.
4	MIXING, BEATING (MÉLANGER, BATTRE)	Pour mélanger les pâtes semi-épaisses comme celles à biscuits. Utiliser cette vitesse pour travailler le sucre et le shortening ainsi que pour incorporer le sucre aux blancs d'œufs pour les meringues. Vitesse moyenne utilisée pour les préparations à gâteaux du commerce.
6	BEATING, CREAMING (BATTRE, RÉDUIRE EN CRÈME)	Pour battre à vitesse moyenne à élevée (pour réduire en crème) et pour fouetter. Utiliser cette vitesse pour finir de mélanger les pâtes à gâteaux, à beignets et autres. Vitesse élevée utilisée pour les préparations à gâteaux du commerce.
8	FAST BEATING, WHIPPING (BATTRE RAPIDEMENT, FOUETTER)	Pour fouetter la crème, les blancs d'œufs et glaçages cuits.
10	FAST WHIPPING (FOUETTER RAPIDEMENT)	Utiliser cette vitesse pour fouetter de petites quantités de crème ou de blancs d'œufs et pour le fouettage final de la purée de pommes de terre.

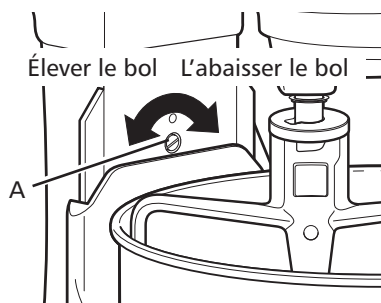
REMARQUE : Utiliser la vitesse 2 pour mélanger ou pétrir les pâtes à base de levain. L'utilisation de toute autre vitesse à cette fin entraîne un potentiel élevé de défaillance de l'appareil.

Dégagement entre le batteur plat et le bol

Votre batteur sur socle a subi un ajustement en usine afin qu'il y ait un léger dégagement entre le batteur plat et le fond du bol. Le dégagement peut être facilement rectifié si, pour une raison quelconque, le batteur plat frappe le fond du bol ou s'il est trop loin du bol.

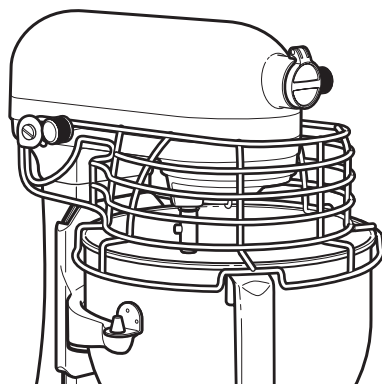
1. Débrancher le batteur sur socle ou déconnecter la source de courant électrique.
2. Abaisser la manette de levage du bol.
3. Fixer le batteur plat.
4. Pour obtenir un léger dégagement entre le batteur plat et le fond du bol lorsque celui-ci est soulevé, tourner la vis (A) dans le sens antihoraire pour élever le bol et dans le sens horaire pour l'abaisser. Une légère rotation pas plus d'un quart de tour (90 degrés) dans une direction ou dans l'autre. (La portée totale de l'ajustement est d'un demi-tour, soit 180 degrés).
5. Soulever la manette de levage du bol pour vérifier le dégagement.
6. Répéter les étapes 4 et 5 au besoin.

REMARQUE : Lorsqu'il est correctement ajusté, le batteur plat ne frappe ni le fond ni les parois du bol. Si le batteur plat ou le fouet métallique est trop proche du fond du bol et qu'il le touche, une usure de l'accessoire pourrait résulter.



Utilisation du protège-bol*

Si votre batteur sur socle comporte un protège-bol, s'assurer que celui-ci est orienté vers le bas avant de commencer à utiliser le batteur sur socle. Le batteur sur socle ne fonctionnera pas si le protège-bol n'est pas bien positionné.



* Compris avec certains modèles. Selon le modèle, l'illustration peut différer du produit réel.

Conseils pour mélanger

Utilisation de vos recettes avec le batteur

De nombreuses méthodes peuvent être utilisées pour préparer des gâteaux avec votre batteur sur socle KitchenAid®.

Par exemple, la méthode « mélange rapide » (selon laquelle on verse tous les ingrédients dans le bol en une seule fois) est idéale pour préparer des gâteaux simples tels que les gâteaux jaune et blanc. Cette méthode consiste à incorporer en une seule étape les ingrédients secs à une partie ou à la totalité des ingrédients liquides.

Les gâteaux plus élaborés, tels que les gâteaux avec glaçage, doivent être préparés selon la méthode traditionnelle. Cette méthode consiste à travailler en crème homogène le sucre et le shortening, le beurre ou la margarine, avant d'ajouter les autres ingrédients. Pour tous les gâteaux, la durée du mélange peut varier car votre batteur sur socle KitchenAid® fonctionne plus rapidement que les autres batteurs. En général, la préparation d'un gâteau avec le batteur sur socle KitchenAid® prendra la moitié du temps requis dans la plupart des recettes.

Pour déterminer la durée idéale de mélange, observer la pâte et mélanger jusqu'à l'obtention de la consistance désirée décrite dans votre recette, par exemple « lisse et crémeuse ».

Pour sélectionner les meilleures vitesses de mélange, consulter « Le Guide de réglage de la vitesse ».

Ajout d'ingrédients

Toujours ajouter les ingrédients aussi près que possible des parois du bol et non pas directement dans la zone du batteur, du crochet ou du fouet en mouvement.

REMARQUE : Si les ingrédients qui se trouvent dans le fond du bol ne sont pas parfaitement mélangés, cela signifie que le batteur n'est pas suffisamment près du fond du bol. Consulter la section "Dégagement entre le batteur plat et le bol".

Préparation à gâteaux du commerce

Pour utiliser des préparations à gâteaux du commerce, utiliser la vitesse 2 comme vitesse basse, la vitesse 4 comme vitesse moyenne et la vitesse 6 comme vitesse élevée. Pour obtenir de meilleurs résultats, mélanger la pâte selon la durée indiquée sur l'emballage.

Ajout de noix, de raisins secs ou de fruits confits

En général, les matières solides doivent être incorporées au cours des dernières secondes de mélange à vitesse Remuer. La pâte doit être suffisamment épaisse pour éviter que les fruits ou les noix ne tombent au fond du moule durant la cuisson. Les fruits collants doivent être saupoudrés de farine pour une meilleure répartition dans la pâte.

Mélanges liquides

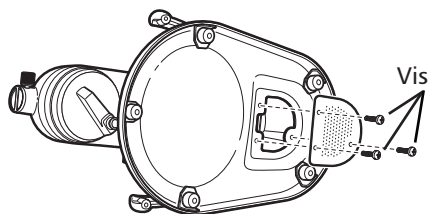
Les mélanges comportant de grandes quantités d'ingrédients liquides devraient être mélangés à basse vitesse pour éviter les éclaboussures. N'augmenter la vitesse qu'une fois que le mélange a épaissi.

Pain blanc de base

- 80 mL ($\frac{1}{3}$ tasse) de lait allégé en matières grasses
- 30 mL (2 c. à soupe) de sucre
- 10 mL (2 c. à thé) de sel
- 30 mL (2 c. à soupe) de beurre ou de margarine
- $1\frac{1}{2}$ sachet de levure de boulanger
- 240 mL (1 tasse) d'eau tiède (40 °C à 46 °C [105 °F à 115 °F])
- 950 mL (4 tasses) de farine tout-usage
- Placez le lait, le sucre, le sel et le beurre dans une petite casserole. Réchauffez à feu bas jusqu'à ce que le beurre fonde et le sucre soit dissout. Laissez refroidir à tiède.
- Faites dissoudre la levure dans l'eau tiède dans le bol du batteur réchauffé. Ajoutez le mélange de lait tiède et 1 L (4-1/2 tasses) de farine. Installez le bol et le crochet pétrisseur au batteur. Mettez le batteur à la vitesse 2 et mélangez pendant 1 minute.
- Continuez à la vitesse 2 en ajoutant le reste de la farine, 120 mL (1/2 tasse) à la fois et mélangez pendant environ 1-1/2 minutes ou jusqu'à ce que la pâte commence à se dégager des côtés du bol. Pétrissez à la vitesse 2 pendant 2 autres minutes de plus ou jusqu'à ce que la pâte soit lisse et élastique. La pâte sera un peu collante au toucher.
- Placez la pâte dans un bol graissé, tournez la pâte pour graisser le dessus. Couvrez. Laissez la pâte lever dans un endroit tiède, sans courant d'air, pendant environ 1 heure ou jusqu'à ce qu'elle ait doublé de taille.
- Frappez pour faire baisser la pâte et divisez en deux. Formez chaque moitié en pain et placez dans des moules à pain graissés de 21,25 x 11,25 x 6,25 cm (8-1/2 x 4-1/2 x 2-1/2"). Couvrez. Laissez la pâte lever dans un endroit tiède, sans courant d'air, pendant environ 1 heure ou jusqu'à ce qu'elle ait doublé de taille.
- Faites cuire à 200 °C (400 °F) pendant 30 minutes ou jusqu'à ce qu'ils soient bruns dorés. Retirez immédiatement des moules et laissez refroidir sur les clayettes.
- Donne : 32 portions (16 portions par pain).
- Par portion : environ 95 calories, 3 g pro, 18 g glucides, 1 g gras, 0 mg chol, 148 mg sod.

Entretien et nettoyage

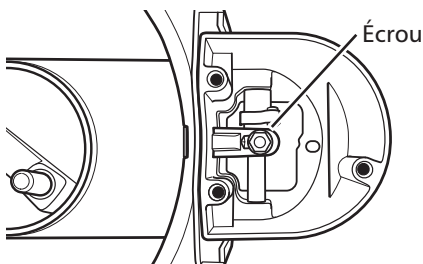
- Débrancher le batteur sur socle ou déconnecter la source de courant électrique avant le nettoyage.
- Acier inoxydable le bol, le batteur métallique plat lisse, le fouet métallique en acier inoxydable et le crochet pétrisseur lisse en spirale sont lavables au lave-vaisselle. On peut aussi les laver soigneusement à l'eau chaude savonneuse et les rincer complètement avant de les sécher. Ne pas entreposer les batteurs en les laissant sur l'arbre.
- Le bol est lavable au lave-vaisselle et peut également être lavé à la main dans de l'eau chaude savonneuse, rincé soigneusement et séché.
- Essuyer le batteur sur socle à l'aide d'un chiffon propre humide. Ne pas utiliser de produits de nettoyage abrasifs ou de tampons à récurer et ne pas immerger le batteur sur socle dans l'eau.
- Essuyer l'arbre du batteur fréquemment, et en supprimer tout résidu accumulé.



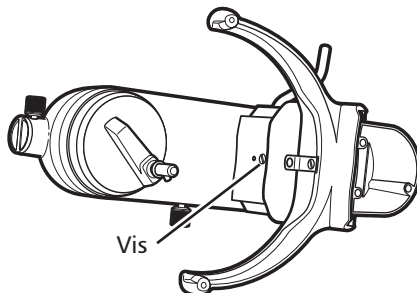
Pour démonter le socle du bol pour le nettoyage

1. Débrancher le batteur sur socle ou déconnecter la source de courant électrique.
2. Démontez la base du socle du batteur en retirant les 3 vis situées sous le socle du batteur. Retirer l'écran d'aération et la base du batteur.
3. Retirer l'écrou de la tige de levage du bol situé à l'intérieur de la colonne, et enlever ensuite la rondelle et le ressort.

REMARQUE : Notez l'ordre dans quel ils ont été réunis (la rondelle disparaît entre le ressort et l'écrou), pour remontage.

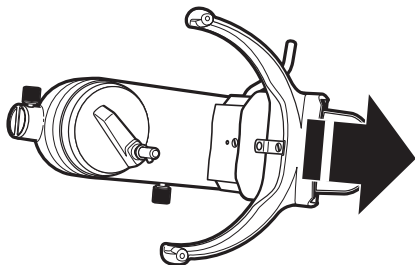


4. Desserrer la vis de l'attache qui retient le bol à l'avant du support de bol, sans la dévisser complètement. Ceci permettra au support du bol de glisser vers le bas.



Entretien et nettoyage (suite)

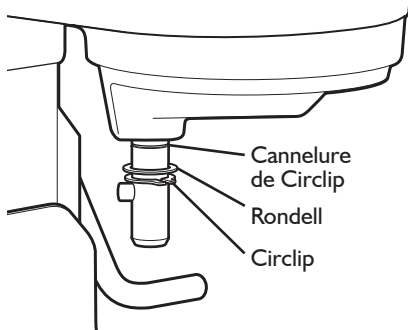
5. Faire glisser le support de bol vers le bas de sorte que les onglets situés à l'arrière du support de bol s'alignent avec les rainures de la colonne. Retirer le support de bol en faisant passer les onglets à travers les rainures.



6. Nettoyer le support de bol et la colonne avec un détergent doux et un chiffon. Ne pas utiliser de produits de nettoyage abrasifs ni de tampons à récurer.
7. Pour réassembler, suivre les étapes 1 à 6 dans le sens inverse.

Instructions de nettoyage de dispositif à trains planétaires

1. Débrancher le batteur sur socle ou déconnecter la source de courant électrique.
2. Retirer l'anneau de retenue à l'aide des pinces destinées à cet effet, et faire glisser l'anneau et la rondelle de l'arbre.



3. Nettoyer l'arbre, l'anneau de retenue et la rondelle avec un détergent doux et un chiffon. Ne pas utiliser de produits de nettoyage abrasifs ou de tampons à récurer. Ne pas immerger le batteur sur socle dans l'eau.
4. Pour réassembler, suivre les étapes 1 à 4 dans le sens inverse, en s'assurant que l'anneau de retenue soit bien installé dans la fente.

Instructions de nettoyage du batteur plat

1. Nettoyer le trou d'écoulement du batteur plat à l'aide d'une petite brosse ronde, d'un cure-dents ou d'une brochette métallique.

Comercial garantía de 2 años sin dificultades



Confiamos tanto en que la calidad de nuestros productos cumple con las exigentes normas de KitchenAid® que, si la batidora con base presentara alguna falla durante los dos primeros años de compra, KitchenAid gestionará la entrega de un reemplazo idéntico o comparable a su domicilio sin cargo y gestionará la devolución de su batidora con base “defectuosa” a nosotros. La unidad de reemplazo estará también cubierta por nuestra garantía completa de dos años. Sírvase seguir estas instrucciones para recibir este servicio de calidad.

Si usted reside en uno de los 50 estados de los Estados Unidos or Puerto Rico y su batidora con base KitchenAid® falla dentro de los primeros dos años de compra, sencillamente llame gratuitamente a nuestro Centro para la satisfacción del cliente al **1-800-584-4315**, de lunes a viernes de 8 a.m. a 8 p.m. Proporcione al asesor su dirección de envío completa.

Cuando usted reciba la batidora con base de reemplazo, use la caja y los materiales de empaque para empaclar la batidora con base “defectuosa”. En la caja, incluya su nombre, domicilio, y número de teléfono en un papel junto con la copia del comprobante de compra (recibo de la caja registradora, recibo de pago de la tarjeta de crédito, etc.).

Para obtener una explicación detallada acerca de los términos y las condiciones de la garantía, incluyendo cómo obtener servicio fuera de los Estados Unidos, vea la sección “Garantía”.

Prueba de compra y registro del producto

Guarde siempre una copia del recibo de compra, en el cual se muestra la fecha de compra de su batidora con base. La prueba de compra le asegurará el servicio bajo la garantía.

Antes de usar la batidora con base, llene y envíe por correo la tarjeta de registro del producto, que fue empacada con la unidad. Esta tarjeta

nos permitirá contactarlo en el caso improbable de una notificación acerca de la seguridad del producto y nos asistirá para cumplir con las medidas de Consumer Product Safety Act (Ley de seguridad de productos al consumidor). Esta tarjeta no confirma su garantía.

Sírvase completar lo siguiente para su información personal:

Número de modelo _____

Número de serie _____

Fecha de compra _____

Nombre de la tienda _____

Índice

Garantía de 2 años sin dificultades.....	33
Prueba de compra y tarjeta de registro del producto.....	33
Seguridad de la batidora con base.....	34
Garantía.....	36
Para los 50 estados de Estados Unidos, Distrito de Columbia, y Puerto Rico.....	36
Cómo obtener el servicio de garantía una vez que ésta haya expirado.....	37
Cómo obtener el servicio técnico fuera de los 50 estados de Estados Unidos y Puerto Rico.....	37
Cómo realizar un pedido de accesorios y piezas de repuesto.....	37
Requisitos eléctricos.....	38
Solución de problemas.....	38
Características de la batidora con base.....	39
Cómo ensamblar la batidora con base.....	40
Uso de los aditamentos KitchenAid®.....	42
Tiempo de mezclado.....	42
Uso de la batidora.....	42
Guía de control de velocidades – Batidoras de 10 velocidades.....	43
Distancia entre el batidor y el tazón.....	44
Consejos de mezclado.....	45
Pan blanco básico.....	46
Cuidado y limpieza.....	47

Seguridad de la Batidora con Base

Su seguridad y la seguridad de los demás es muy importante.

Hemos incluido muchos mensajes importantes de seguridad en este manual y en su electrodoméstico. Lea y obedezca siempre todos los mensajes de seguridad.



Este es el símbolo de advertencia de seguridad.

Este símbolo le llama la atención sobre peligros potenciales que pueden ocasionar la muerte o una lesión a usted y a los demás.

Todos los mensajes de seguridad irán a continuación del símbolo de advertencia de seguridad y de la palabra “PELIGRO” o “ADVERTENCIA”.

Estas palabras significan:

⚠ PELIGRO

Si no sigue las instrucciones de inmediato, usted puede morir o sufrir una lesión grave.

⚠ ADVERTENCIA

Si no sigue las instrucciones, usted puede morir o sufrir una lesión grave.

Todos los mensajes de seguridad le dirán el peligro potencial, le dirán cómo reducir las posibilidades de sufrir una lesión y lo que puede suceder si no se siguen las instrucciones.

Advertencias de la Proposición 65 del estado de California:

ADVERTENCIA: Este producto contiene una o más sustancias químicas identificadas por el estado de California como causantes de cáncer.

ADVERTENCIA: Este producto contiene una o más sustancias químicas identificadas por el estado de California como causantes de defectos congénitos o algún otro tipo de daños en la función reproductora.

SALVAGUARDIAS IMPORTANTES

Al utilizar aparatos eléctricos, debe seguir las precauciones básicas de seguridad, entre las que se incluyen las siguientes:

1. Lea todas las instrucciones.
2. Para protegerse contra el riesgo de choque eléctrico, no ponga la batidora con base en agua ni en ningún otro líquido.
3. Es necesario supervisar cuidadosamente a los niños cuando usen cualquier aparato o cuando éste se use cerca de ellos.
4. Desenchufe la batidora con base del contacto cuando no esté en uso, antes de colocar o quitar partes y antes de la limpieza.
5. Evite tocar las partes que estén en movimiento. Mantenga las manos, el cabello y la ropa, así como también las espátulas y otros utensilios, lejos del batidor durante el funcionamiento, para reducir el riesgo de heridas a personas y/o daños a la batidora con base.
6. No use la batidora con base si tiene un cable o enchufe dañado, si no ha funcionado correctamente, si se ha caído o si está dañada de alguna forma. Llame al Centro para la satisfacción del cliente de KitchenAid® al 1-800-584-4315 para obtener más información.
7. El uso de aditamentos no recomendados o vendidos por KitchenAid® puede provocar un incendio, choque eléctrico o lesión.
8. No utilice la batidora con base en exteriores.
9. No deje que el cable cuelgue del borde de la mesa o del mostrador.
10. Retire el batidor plano, el batidor de alambre o el gancho para masa de la batidora con base antes de lavarlos.

GUARDE ESTAS INSTRUCCIONES

Garantía de KitchenAid® para la batidora con base en los 50 estados de los Estados Unidos, Distrito de Columbia, y Puerto Rico

Esta garantía se extiende al comprador y a cualquier propietario subsiguiente para las batidoras con base usadas en los 50 estados de Estados Unidos y el Distrito de Columbia, y Puerto Rico.

Duración de la garantía:	KitchenAid pagará por lo siguiente, a su elección:	KitchenAid no pagará por:
<p>Dos años de garantía completa a partir de la fecha de compra.</p>	<div data-bbox="444 447 650 601" data-label="Image"> </div> <p>Reemplazo sin dificultades de su batidora con base. Consulte el interior de la portada para obtener detalles acerca de cómo obtener el servicio o llame al Centro para la satisfacción del cliente, sin cargo, al 1-800-584-4315</p> <p>O BIEN</p> <p>Los costos de las piezas de repuesto y del trabajo de reparación para corregir los defectos en los materiales y la mano de obra.</p>	<p>A. Daños causados por accidente, alteración, uso indebido o abuso.</p> <p>B. Piezas de repuesto o costos de mano de obra para batidoras con base operadas fuera de los 50 estados de Estados Unidos, Distrito de Columbia, y Puerto Rico.</p>

KITCHENAID NO SE HARÁ RESPONSABLE POR DAÑOS INCIDENTALES O CONSECUENTES. Algunos estados no permiten la exclusión o limitación de daños incidentales o consecuentes, de modo que esta exclusión quizás no le corresponda a usted. Esta garantía le otorga derechos legales específicos, y es posible que usted tenga también otros derechos, los cuales varían de un estado a otro.

Cómo obtener el servicio de garantía una vez que ésta haya expirado

Para obtener información acerca del servicio técnico, llame sin costo al 1-800-584-4315 o escriba a:

Customer Satisfaction Center,
KitchenAid Portable Appliances,
P.O. Box 218, St. Joseph, MI 49085-0218.

Cómo obtener el servicio técnico fuera de los 50 estados de Estados Unidos y Puerto Rico

Consulte a su distribuidor local de KitchenAid® o a la tienda donde compró

la batidora con base para obtener información sobre el servicio técnico.

Cómo realizar un pedido de accesorios y piezas de repuesto

Para pedir accesorios o piezas de repuesto para su batidora con base, llame sin costo al 1-800-584-4315 o escriba a:

Customer Satisfaction Center,
KitchenAid Portable Appliances,
P.O. Box 218, St. Joseph, MI 49085-0218.

Requisitos eléctricos


Voltios: sólo 120 C.A. Hertzios: 60
La clasificación de voltaje para su batidora con base se encuentra impresa en el borde o en la placa con el número de serie.

Modelo KSM7990 solamente:

Voltios	120
Caballos de fuerza	1.3*
Hertzios	60

No use un cable eléctrico de extensión. Si el cable de suministro eléctrico es demasiado corto, haga que un electricista o técnico de servicio competente instale un contacto cerca del electrodoméstico.

⚠ ADVERTENCIA



Peligro de Choque Eléctrico

Conecte a un contacto de pared de conexión a tierra de 3 terminales.

No quite la terminal de conexión a tierra.

No use un adaptador.

No use un cable eléctrico de extensión.

No seguir estas instrucciones puede ocasionar la muerte, incendio o choque eléctrico.

Solución de problemas

Sírvase leer la información a continuación antes de llamar al centro de servicio.

1. La batidora con base se puede calentar durante el uso. Cuando trabaje con cargas pesadas y períodos de tiempo de mezclado prolongados, quizá no pueda tocar cómodamente la parte superior de la batidora con base. Esto es normal.
2. La batidora con base podrá emitir un olor cáustico, especialmente cuando es nueva. Esto es común en los motores eléctricos.
3. Si el batidor plano golpea el tazón, detenga la batidora con base. Consulte "Distancia entre el batidor y el tazón".

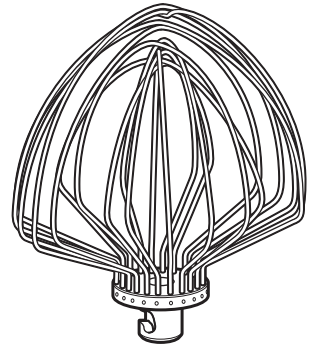
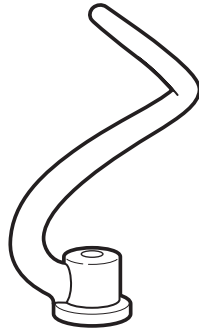
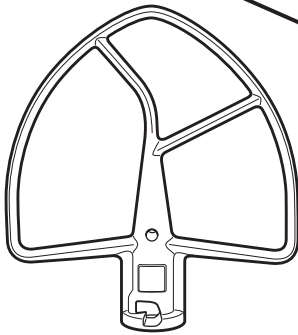
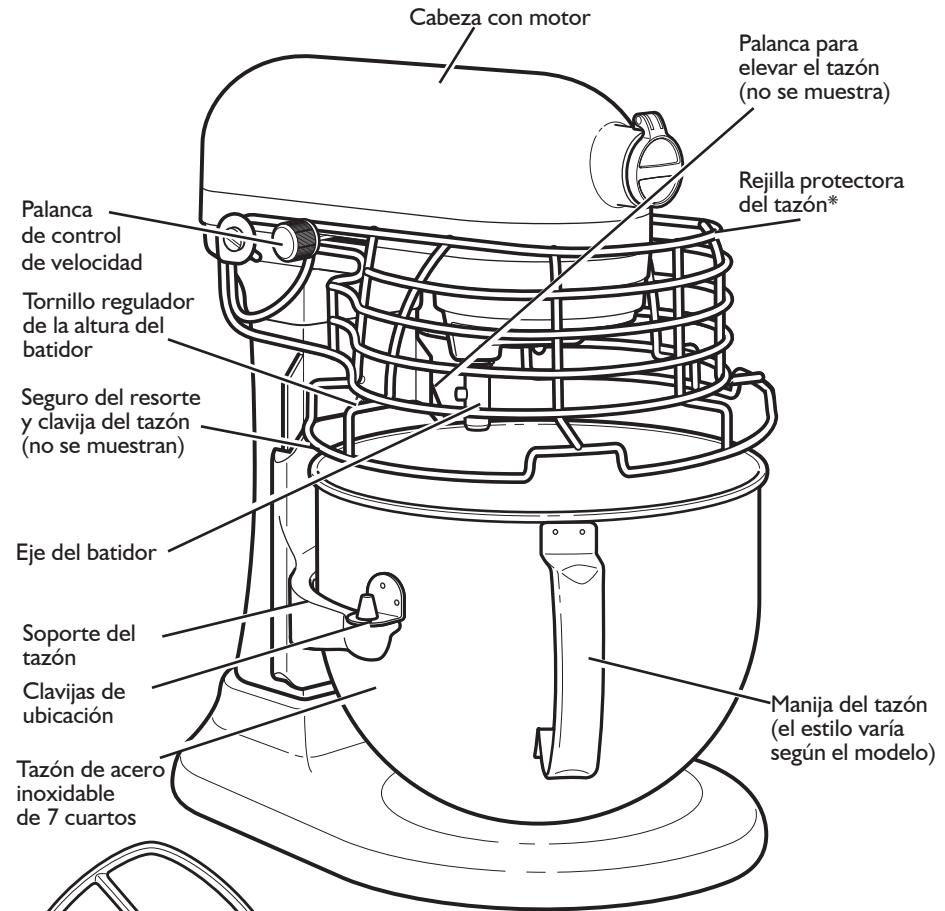
Si su batidora con base falla o no funciona, sírvase revisar lo siguiente:

- ¿Está enchufada la batidora con base?
- ¿Está funcionando adecuadamente el fusible en el circuito que va a la batidora con base? Si tiene una caja de cortacircuitos, asegúrese de que el circuito esté cerrado.
- Apague la batidora con base durante 10 a 15 segundos y vuelva a encenderla. Si la batidora todavía no se enciende, deje que se enfríe durante 30 minutos antes de volver a encenderla.

Si el problema no se debe a lo mencionado anteriormente, vea la garantía de la batidora con base de KitchenAid®. No devuelva la batidora con base a la tienda, ellos no brindan servicio técnico.

* Los caballos de fuerza de nuestros motores de las batidoras se midieron utilizando un dinamómetro, una máquina que los laboratorios utilizan periódicamente para medir la fuerza mecánica de los motores. Los 1,3 caballos de fuerza (HP) de referencia del motor reflejan la clasificación del propio motor y no la salida en caballos de fuerza de la batidora al tazón. Este motor robusto, el pilar de nuestra nueva batidora, ofrece 0,44 HP al tazón, lo que le posibilita a la batidora producir una potencia constante a cargas pequeñas y grandes con menos acumulación de calor, lo que da como resultado años de funcionamiento confiable. Cuando se lo combina con nuestro nuevo tablero avanzado de control del motor, y éste lo guía, este es nuestro motor más eficiente y duradero a la fecha. En pocas palabras, nuestro nuevo motor sumamente eficiente y con fines especiales ofrece la potencia que necesita cuando la necesita.

Características de la batidora con base



*Se incluye con algunos modelos. La imagen del producto puede diferir dependiendo del modelo.

Cómo ensamblar su batidora con base

⚠ ADVERTENCIA



Peligro de Choque Eléctrico

Conecte a un contacto de pared de conexión a tierra de 3 terminales.

No quite la terminal de conexión a tierra.

No use un adaptador.

No use un cable eléctrico de extensión.

No seguir estas instrucciones puede ocasionar la muerte, incendio o choque eléctrico.

Para sujetar el tazón

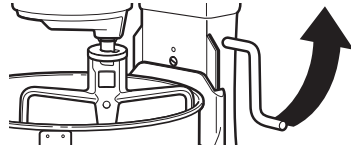
1. Gire el control de velocidad hacia OFF (Apagado).
2. Desenchufe la batidora con base o desconecte el suministro de energía.
3. Coloque la palanca del tazón que se levanta en la posición baja.
4. Coloque los soportes del tazón sobre las clavijas de ubicación.
5. Presione el tazón hacia abajo hasta que la clavija del tazón encaje a presión en el seguro del resorte.
6. Levante el tazón antes de mezclar.
7. Enchufe a un contacto de pared de conexión a tierra de 3 terminales o reconecte el suministro de energía.

Para quitar el tazón

1. Gire el control de velocidad hacia OFF (Apagado).
2. Desenchufe la batidora con base o desconecte el suministro de energía.
3. Coloque la palanca del tazón que se levanta en la posición baja.

4. Quite el batidor plano, el batidor de alambre o el gancho para masa.
5. Sujete la manija del tazón y levante directamente para sacarlo de las clavijas de ubicación.

Para levantar el tazón



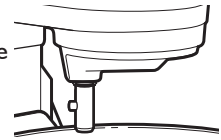
1. Gire la palanca hacia la posición vertical.
2. Cuando mezcle, el tazón siempre debe estar levantado y bloqueado.

Para bajar el tazón

1. Gire la palanca hacia atrás y hacia abajo.

Para sujetar el batidor plano, el batidor de alambre o el gancho para masa

1. Gire el control de velocidad hacia OFF (Apagado).
2. Desenchufe la batidora con base o desconecte el suministro de energía.
3. Deslice el batidor plano en el eje del batidor y presione hacia arriba hasta donde sea posible.
4. Gire el batidor hacia la derecha, encajando el batidor sobre la clavija en el eje.
5. Conecte a un contacto de pared de conexión a tierra de 3 terminales o reconecte el suministro de energía.

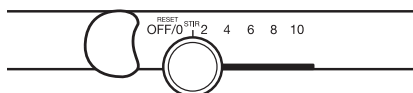


Cómo ensamblar su batidora con base (cont.)

Para quitar el batidor plano, el batidor de alambre o el gancho para masa

1. Gire el control de velocidad hacia OFF (Apagado).
2. Desenchufe la batidora con base o desconecte el suministro de energía.
3. Presione el batidor hacia arriba, hasta donde sea posible y gírelo hacia la izquierda.
4. Jale el batidor del eje de éste.
5. Conecte a un contacto de pared de conexión a tierra de 3 terminales o reconecte el suministro de energía.

Control de VELOCIDAD de la batidora con base comercial y cubierta de la palanca



La característica de Soft Start™ minimiza las salpicaduras al poner en marcha la batidora lentamente, antes de aumentar hasta la velocidad seleccionada. Para reducir aun más la probabilidad de salpicaduras, siempre comience a mezclar usando la velocidad STIR (Revolver), luego aumente la velocidad gradualmente, a medida que sea necesario. Vea “Guía de control de ciclos”.

Protección del motor de reajuste automático

Si la batidora con base se detiene debido a una sobrecarga, deslice la palanca de control de velocidad a OFF (Apagado). Después de algunos minutos, la batidora con base se reajustará automáticamente. Deslice la palanca de control de velocidad hacia la velocidad deseada y continúe mezclando. Si la unidad no se reajusta, consulte “Solución de problemas”.

Cómo usar los aditamentos de KitchenAid®

El batidor plano para mezclas normales a densas:

pasteles	pastelillos
glaseados cremosos	panes rápidos
dulces	rollo de carne molida
galletas	puré de papás
masa para pays	

Batidor de alambre para mezclas que necesitan tener aire incorporado:

huevos	bizcochos
claras de huevo	pasteles de ángel
crema densa	mayonesa
glaseados hervidos	algunos dulces

Gancho para masa para mezclar y amasar masas con levadura:

panes	pastel para café
bollos	bollos

Tiempo de mezclado

Su batidora con base KitchenAid® mezclará más rápido y a fondo que la mayoría de las batidoras con base eléctricas. En consecuencia, el tiempo de mezclado en la mayoría de las

recetas se deberá ajustar para evitar batir demasiado. Con los pasteles, por ejemplo, el batido podrá tomar la mitad del tiempo que con otras batidoras con base.

Uso de la batidora

ADVERTENCIA

Peligro de Lesiones

Desenchufe la batidora antes de tocar los batidores.

No seguir esta instrucción puede ocasionar fracturas de huesos, cortaduras o magulladuras.

NOTA: No raspe el tazón mientras la batidora con base esté funcionando.

El tazón y el batidor se han diseñado para proveer un mezclado a fondo sin necesidad de raspar el tazón frecuentemente. Por lo general, raspar el tazón una o dos veces durante el mezclado es suficiente. Apague la batidora con base antes de raspar.

La batidora con base puede calentarse durante el uso. Con las mezclas densas que requieren un tiempo de mezclado prolongado, quizás no pueda tocar la parte superior de la batidora cómodamente. Esto es normal.

Si la batidora con base se sobrecarga, se apagará automáticamente para evitar daños. Consulte "Protección del motor de reajuste automático".

Guía de control de velocidad - batidoras con base de 10 velocidades

Soft Start™ funciona con todas las velocidades, para minimizar las salpicaduras y las nubes de harina. La batidora se pondrá en marcha lentamente antes de aumentar hasta la velocidad seleccionada.

Número de velocidad

Velocidad

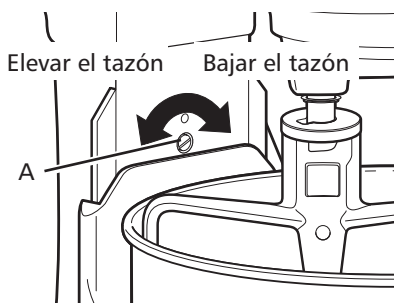
Revolver	STIR (Revolver)	Para revolver lentamente, combinar, hacer puré y comenzar todos los procedimientos de mezclado. Use esta velocidad cuando agregue harina a la masa, y para agregar líquidos a ingredientes secos. No use la velocidad de STIR para mezclar o amasar mezclas con levadura.
2	SLOW MIXING (Mezclado lento)	Para mezclar lentamente, hacer puré o revolver más rápido. Use esta velocidad para mezclar y amasar masas con levadura, masas y dulces densos; comenzar a hacer puré las papas u otros vegetales; incorporar la manteca a la harina; mezclar masas ligeras o que puedan salpicar.
4	MIXING, BEATING (Mezclar, batir)	Para mezclar masas semidensas, como pueden ser galletas. Use esta velocidad para combinar azúcar y manteca y para agregar azúcar a claras de huevo para preparar merengues. Velocidad media para mezclas de pasteles.
6	BEATING, CREAMING (Batir, hacer cremoso)	Para batir a velocidad media-rápida (hacer cremoso) o batir. Use esta velocidad para terminar de batir masas para pastel, donas y otro tipo de batidos para rebozar. Velocidad alta para mezclas de pasteles.
8	FAST BEATING, WHIPPING (Batido rápido, batido)	Para batir crema, claras de huevo y glaseados hervidos.
10	FAST WHIPPING (Batido rápido)	Para batir pequeñas cantidades de crema y claras de huevo o para terminar de batir el puré de papas.

NOTA: Use la velocidad 2 para mezclar o amasar mezclas con levadura. Usar cualquier otra velocidad crea un alto potencial de falla de la batidora.

Distancia entre el batidor y el tazón

Su batidora con base se ajusta de fábrica de modo que el batidor plano casi toca el fondo del tazón. Si, por cualquier razón, el batidor plano golpea el fondo del tazón o está demasiado alejado de éste, usted puede corregir la distancia fácilmente.

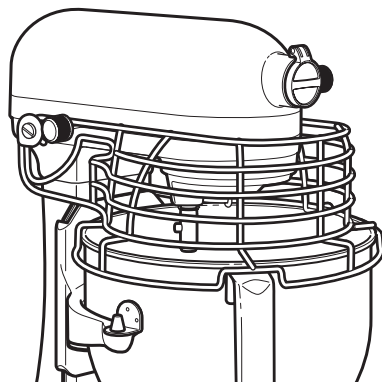
1. Desenchufe la batidora con base o desconecte el suministro de energía.
2. Coloque la palanca del tazón que se levanta en la posición baja.
3. Sujete el batidor plano.
4. Ajuste el batidor plano de modo que casi toque el superficie del fondo del tazón cuando éste se encuentre levantado, girando el tornillo (A) hacia la izquierda para levantar el tazón y hacia la derecha para bajarlo. Sólo se necesita girarlo ligeramente: el tornillo no girará más de 1/4 de giro (90 grados) en cualquier dirección. (El rango de ajuste máximo es de 1/2 giro o 180 grados.)
5. Coloque la palanca del tazón que se levanta en la posición alta para revisar la distancia.
6. Repita los pasos 4 y 5 si es necesario.



NOTA: Cuando se ajusta correctamente, el batidor plano no golpeará el fondo ni los lados del tazón. Si el batidor plano o el batidor de alambre está tan cerca que golpea el fondo del tazón, el batidor o el batidor de alambre se desgastarán.

Cómo utilizar la rejilla protectora del tazón*

Si su batidora con base viene con una rejilla protectora del tazón, asegúrese de bajar la rejilla protectora antes de comenzar a utilizar la batidora con base. La batidora con base no se pondrá en marcha si la rejilla protectora del tazón no está en la posición correcta.



*Se incluye con algunos modelos. La imagen del producto puede diferir dependiendo del modelo.

Consejos de mezclado

Cómo usar sus recetas con la batidora

Hay varios métodos que se pueden usar para hacer pasteles con su batidora con base KitchenAid®.

Por ejemplo, el método de “mezcla rápida” (algunas veces se le llama el método de “vertido”) es ideal para pasteles sencillos, tales como pastel amarillo o blanco. Este método requiere que se combinen los ingredientes secos con todos o casi todos los ingredientes líquidos en un paso.

Los pasteles más elaborados, tales como pasteles con glaseado, deberán prepararse usando el método tradicional de mezclado para pasteles. Con este método, la azúcar y la manteca, la mantequilla o margarina se mezclan a fondo (se hacen cremosas) antes de mezclar los demás ingredientes. Para todos los pasteles, los tiempos de mezclado pueden cambiar ya que su batidora con base KitchenAid® trabaja más rápido que otras batidoras. En general, el mezclar un pastel con la batidora con base KitchenAid® tomará la mitad de tiempo que se indica en la mayoría de las recetas para pasteles.

Para ayudar a determinar el tiempo de mezclado ideal, observe el batido para rebozar o la masa y mezcle solamente hasta ver la apariencia descrita en la receta, tal como “suave y cremoso”.

Para seleccionar las mejores velocidades de mezclado, consulte “Guía de control de velocidad”.

Cómo agregar ingredientes

Siempre agregue los ingredientes tan cerca del lado del tazón como sea posible, no lo haga directamente sobre el batidor en movimiento.

NOTA: Si los ingredientes en el fondo del tazón no se mezclan a fondo, entonces el batidor no está lo suficientemente cerca del fondo del tazón. Consulte “Distancia entre el batidor y el tazón”.

Mezclas para pasteles

Cuando prepare mezclas para pastel empacadas, use la velocidad 2 para una velocidad baja, la velocidad 4 para una velocidad media y la velocidad 6 para una velocidad alta. Para obtener los mejores resultados, mezcle por el tiempo indicado en las instrucciones del paquete.

Cómo agregar frutos secos, pasas o frutas confitadas

En general, los materiales sólidos se deben incorporar durante los últimos segundos de mezclado en la velocidad para revolver. Los batidos para rebozar deben ser lo suficientemente densos para evitar que las frutas o los frutos secos se peguen al fondo del molde durante el horneado. Las frutas pegajosas deben espolvorearse con harina para una mejor distribución en la masa.

Mezclas líquidas

Las mezclas que contienen grandes cantidades de ingredientes líquidos deben mezclarse a velocidades más bajas para evitar salpicaduras. Aumente la velocidad solamente después de que se haya espesado la mezcla.

Pan blanco básico

- 1/3 taza (80 mL) leche descremada*
- 2 cdas. (30 mL) azúcar*
- 2 cdtas. (10 mL) sal*
- 2 cdas. (30 mL) manteca o margarina*
- 1 1/2 paquete de levadura activa seca*
- 1 taza (240 mL) agua tibia a 115 °F [41 °C a 46°C]*
- 4 tazas (950 mL) harina común*

Coloque la leche, el azúcar, la sal y la mantequilla en una sartén pequeña. Caliente a fuego bajo hasta que se derrita la mantequilla y se disuelva la azúcar. Enfríe hasta que esté a temperatura ambiente.

Disuelva la levadura en agua tibia en un tazón para mezclar que se haya calentado. Agregue agua a temperatura ambiente a la mezcla de leche y agregue 4 1/2 tazas de harina. Sujete el tazón y el gancho para masa en la batidora. Ponga la batidora en la velocidad 2 y mezcle durante 1 minuto.

Continúe en la velocidad 2 y agregue el resto de la harina, 1/2 taza a la vez, y mezcle por aproximadamente 2 minutos o hasta que la masa se adhiera al gancho y limpie los lados del tazón. Amase a velocidad 2 por aproximadamente 2 minutos más, o bien hasta que la masa esté suave y elástica. La masa se sentirá un poco pegajosa al tacto.

Coloque la masa en un tazón engrasado, girando para engrasar la parte superior. Cubra. Deje que leude en un lugar tibio, sin corrientes de aire, por aproximadamente 1 hora o hasta que se haya elevado al doble de su tamaño.

Golpee la masa para aplanarla y divídala a la mitad. Dé forma de barra a cada mitad y colóquelas en moldes para hornear de 8 1/2 x 4 1/2 x 2 1/2 pulgadas. Cubra. Colóquelas en un lugar tibio, sin corrientes de aire, por aproximadamente 1 hora o hasta que crezcan al doble de su tamaño.

Hornee a 400 °F (205 °C) por 30 minutos o hasta que se doren. Sáquelas de los moldes inmediatamente y colóquelas en rejillas de alambre para que se enfrien.

Rinde: 32 porciones (16 rebanadas por barra).

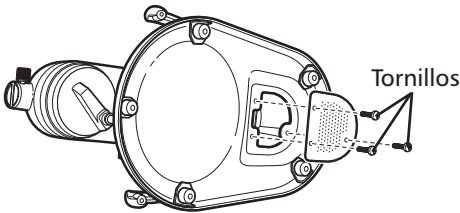
Por porción: Aproximadamente 95 calorías, 3 g de proteínas, 18 g de carbohidratos, 1 g de grasa, 0 mg de colesterol y 148 mg de sodio.

Cuidado y limpieza

- Desenchufe la batidora con base antes de la limpieza o desconecte el suministro eléctrico.
- Acero inoxidable el tazón, el batidor plano de metal recubierto, el batidor de alambre de acero inoxidable y el gancho para masa en espiral de metal recubierto pueden lavarse en una lavavajillas automática. O bien, lávelos a fondo en agua caliente jabonosa y enjuáguelos por completo antes de secarlos. No deje guardados los batidores sobre el eje.
- El tazón es lavable en la lavavajillas. También puede lavarse a mano en agua caliente jabonosa, luego debe enjuagarse a fondo y secarse.
- Limpie la batidora con base con un paño limpio y húmedo. No use limpiadores abrasivos ni estropajos, ni sumerja la batidora con base en agua.
- Limpie el eje del batidor con frecuencia, quitando cualquier residuo que se pueda acumular.

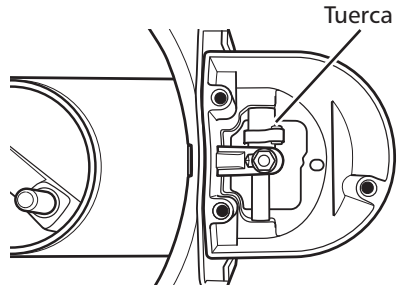
Cómo quitar el soporte del tazón para la limpieza

1. Desenchufe la batidora con base o desconecte el suministro de energía.
2. Quite la base de la batidora quitando los 3 tornillos ubicados en la parte de abajo de la batidora. Quite la malla de ventilación y la base de la batidora.

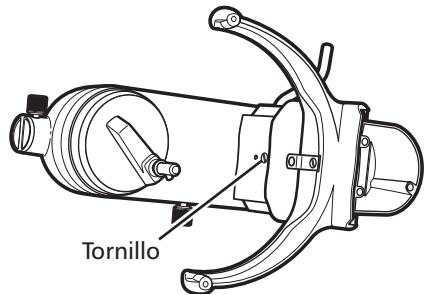


3. Quite la tuerca de la barra del elevador, la cual se encuentra dentro de la columna, luego quite la arandela y el resorte

NOTA: Para reensamblar las piezas, siga el orden en el que se ensamblaron (la arandela se coloca entre el resorte y la tuerca).

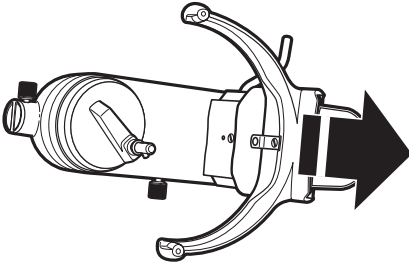


4. Afloje el tornillo que sostiene el sujetador del tazón en el frente del soporte de éste; no es necesario desatornillarlo por completo. Esto permite que el soporte del tazón se deslice hacia abajo.



Cuidado y limpieza (continuación)

5. Deslice el soporte del tazón hacia abajo, de modo que las lengüetas en la parte posterior del soporte del tazón estén alineadas con las ranuras en la columna. Quite el soporte del tazón pasando las lengüetas a través de las ranuras.

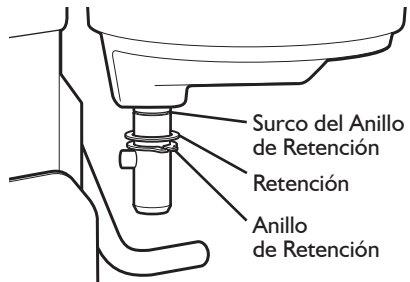


6. Limpie el soporte del tazón y la columna con detergente suave y un paño para lavar. No use limpiadores ni estropajos abrasivos.
7. Para volver a ensamblar, invierta los pasos 1 a 6.

Instrucciones de limpieza del eje planetario

1. Desenchufe la batidora con base o desconecte el suministro de energía.

2. Quite el anillo de retención con pinzas, deslizando éste y la arandela hacia abajo sobre el eje.



3. Limpie el eje, el anillo de retención y la arandela con detergente suave y un paño para lavar. No use limpiadores abrasivos ni estropajos. No sumerja la batidora con base en agua.
4. Para volver a ensamblar, invierta los pasos 1 a 4, asegurándose de que el anillo de retención esté encajado por completo en la ranura.

Instrucciones de limpieza del batidor plano

1. Para limpiar el orificio en el batidor plano, use un cepillo redondo pequeño, un palillo o un pincho para pasarlo a través del orificio.



® /™ ©2013 KitchenAid. All rights reserved. The design of the stand mixer is a trademark in the U.S. and elsewhere. Used under license in Canada.

® /™ ©2013 KitchenAid. Tous droits réservés. La forme du batteur sur socle est une marque de commerce aux É.-U. et dans d'autres pays. Utilisé sous licence au Canada.

® /™ ©2013 KitchenAid. Todos los derechos reservados. El diseño de la batidora con base es una marca de comercio en EE.UU. y en otras partes. Usada en Canadá bajo licencia.