



# T&S BRASS AND BRONZE WORKS, INC.

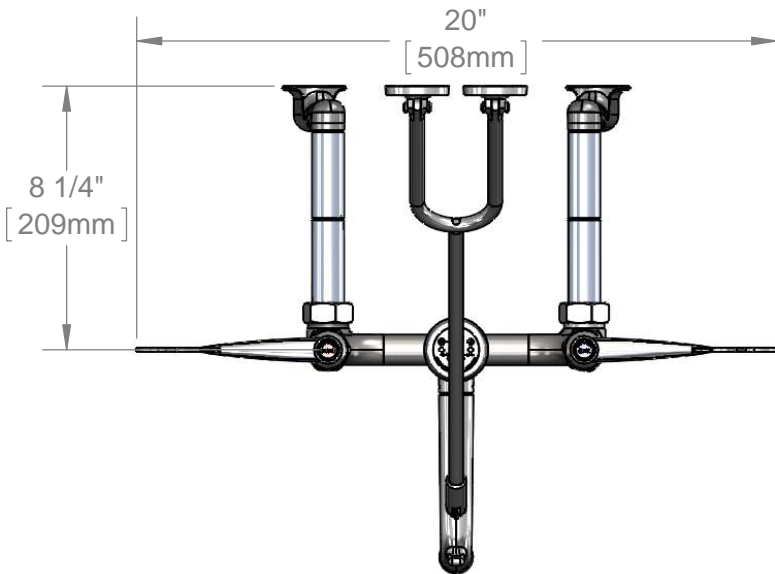
2 Saddleback Cove / P.O. Box 1088  
Travelers Rest, SC 29690

Model No.

**B-0655-04**

Item No.

Travelers Rest, SC: 800-476-4103 • Simi Valley, CA: 800-423-0150 • Fax: 864-834-3518 • www.tsbrass.com



This Space for Architect/Engineer Approval

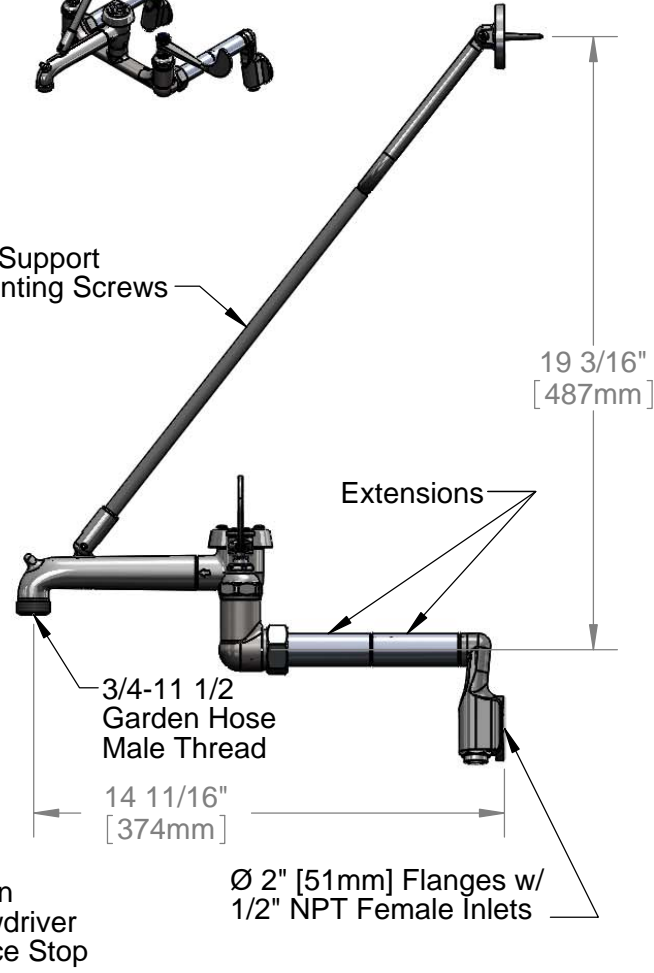
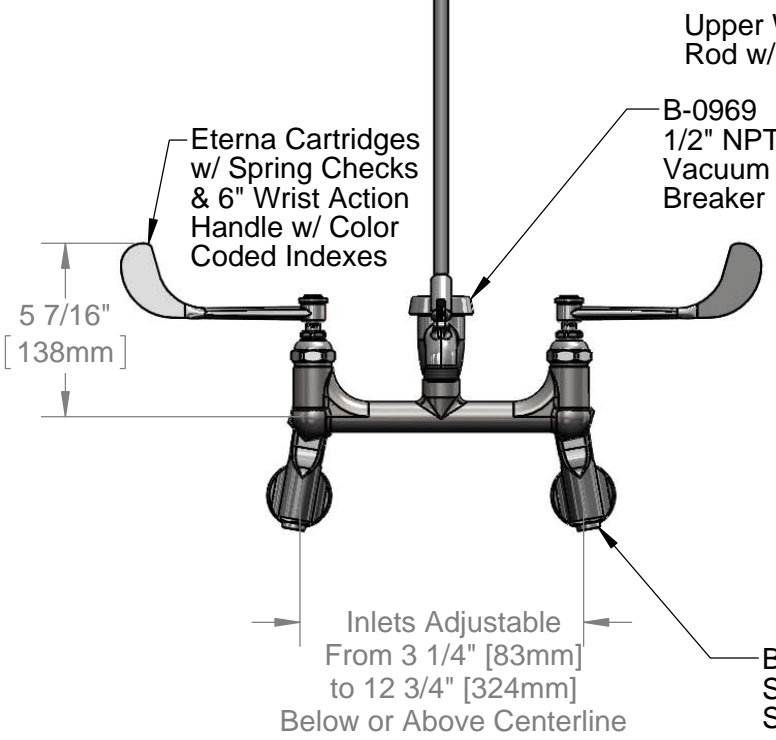
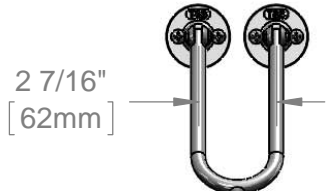
Job Name \_\_\_\_\_ Date \_\_\_\_\_

Model Specified \_\_\_\_\_ Quantity \_\_\_\_\_

Customer/Wholesaler \_\_\_\_\_

Contractor \_\_\_\_\_

Architect/Engineer \_\_\_\_\_



**Product Specifications:**

8" Wall Mount Service Sink Mixing Faucet, Polished Chrome Finish, Eterna Cartridges w/ Spring Checks, 6" Wrist Action Handles, 1/2" NPT Vacuum Breaker, Upper Support Rod, Garden Hose Outlet & 1/2" NPT Extended Adjustable Inlets

Drawn <b>DHL</b>	Checked <b>GEF</b>	Approved <b>JHB</b>
Scale: <b>1:6</b>		Date: <b>07/22/13</b>



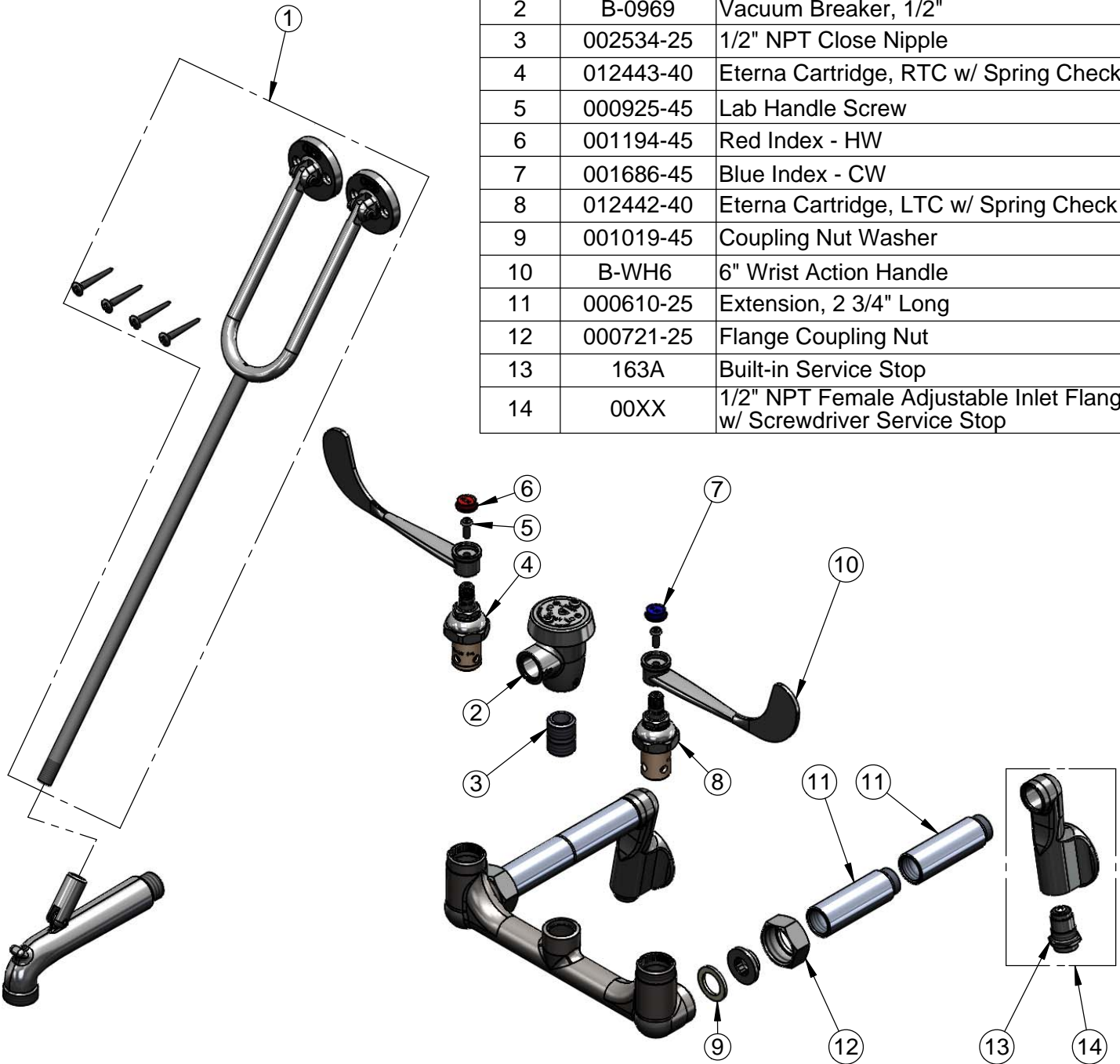
**T&S BRASS AND BRONZE WORKS, INC.**  
 2 Saddleback Cove / P.O. Box 1088  
 Travelers Rest, SC 29690

Model No.  
**B-0655-04**

Item No.

Travelers Rest, SC: 800-476-4103 • Simi Valley, CA: 800-423-0150 • Fax: 864-834-3518 • www.tsbrass.com

ITEM NO.	SALES NO.	DESCRIPTION
1	015476-40	Lower Support Rod w/ Mounting Screws
2	B-0969	Vacuum Breaker, 1/2"
3	002534-25	1/2" NPT Close Nipple
4	012443-40	Eterna Cartridge, RTC w/ Spring Check
5	000925-45	Lab Handle Screw
6	001194-45	Red Index - HW
7	001686-45	Blue Index - CW
8	012442-40	Eterna Cartridge, LTC w/ Spring Check
9	001019-45	Coupling Nut Washer
10	B-WH6	6" Wrist Action Handle
11	000610-25	Extension, 2 3/4" Long
12	000721-25	Flange Coupling Nut
13	163A	Built-in Service Stop
14	00XX	1/2" NPT Female Adjustable Inlet Flange w/ Screwdriver Service Stop



**Product Specifications:**

8" Wall Mount Service Sink Mixing Faucet, Polished Chrome Finish, Eterna Cartridges w/ Spring Checks, 6" Wrist Action Handles, 1/2" NPT Vacuum Breaker, Upper Support Rod, Garden Hose Outlet & 1/2" NPT Extended Adjustable Inlets

Drawn

**DHL**

Checked

**GEF**

Approved

**JHB**

Scale:

**NTS**

Date:

**07/22/13**