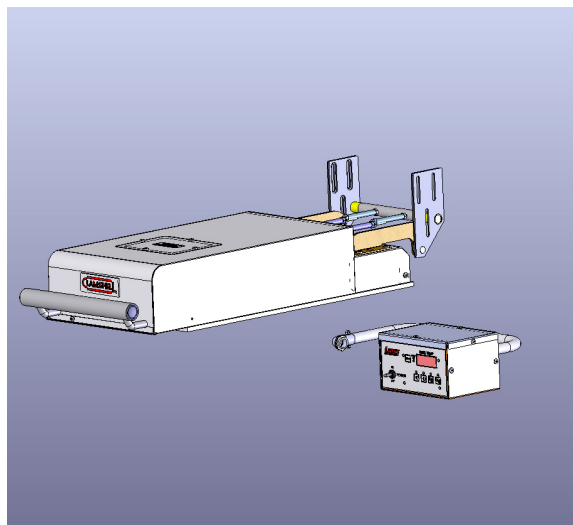




Item No. _____
 Project _____
 Quantity _____

**Electric, 12" Contact Clamshell®
 Griddle Hood With**

Model: CCSE12A



One (1) CCSE12A Clamshell

CONSTRUCTION FEATURES

- Stainless steel, hinged, spring assisted upper broiler
- Mounted to full [griddle] width mounting bracket [See Table]
- Long life incoloy sheathed steel heating element
- Chrome plate surface available

PERFORMANCE FEATURES

- Two-sided cooking reduces cook times and increases production
- Temperature range of 175-550°F
- Clamshell slide adjustment of 1-1/2"
- 1-1/2" clearance from griddle handles variations in product thickness
- Modular 12" design allows customizing of 24"-72" griddles, to operator need
- Full width mounting bracket allows hood placement flexibility

CONTROL PACKAGE

- Digital temperature control with timer
- Power ON-OFF toggle switch mounted on control panel box

TWO-SIDED COOKING ORDERING GUIDE

Your Griddle Width	Number of Clamshells	Mounting Bracket [Required]
24"	1 - 2	CSE12AMG-24
36"	1 - 3	CSE12AMG-36
48"	1 - 4	CSE12AMG-48
60"	1 - 5	CSE12AMG-60
72"	1 - 6	CSE12AMG-72

SHORT/BID SPECIFICATION

Upper cooking unit[s] shall be _____ ea. [Specify quantity] **LANG Manufacturing Model CCSE12A** 12" wide, electric heated Clamshell® Hood[s]; to be bracket mounted on _____ wide [specify: 24", 36", 48", 60" or 72"] gas or electric griddle; with steel sheathed infrared heating elements, mounted in stainless steel hood, which is hinged to mounting bracket and spring assisted; digital temperature controlled, adjustable to accommodate a thin tortilla to a 3" sandwich. Available on standard depth grills only.

STANDARD PRODUCT WARRANTY

One year, parts & labor



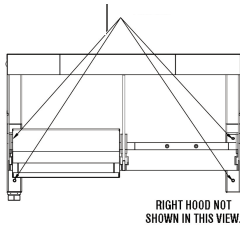
Sheet No. **LSP-CCS1G** (rev. 05/14)

INSTALLATION REQUIREMENTS

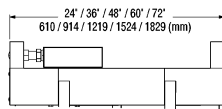
- Must be mounted to specific Lang gas or electric griddle
- Griddle Mounting Bracket Required. See OPTIONS
- Ⓜ 208V or 240V, single-phase power connection

MOUNTING BRACKET [Required]

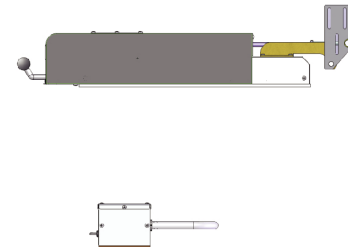
- CSE12AMG-24 Mounting Bracket for 24" Griddle
- CSE12AMG-36 Mounting Bracket for 36" Griddle
- CSE12AMG-48 Mounting Bracket for 48" Griddle
- CSE12AMG-60 Mounting Bracket for 60" Griddle
- CSE12AMG-72 Mounting Bracket for 72" Griddle



[Front View/Elevation]



[Top View/Plan]



[Right Side View]

For Griddle Width (inches)	H x W x D (Not including griddle)	Maximum Hoods	Hood Weight (ea.)		Hood Freight Class*	Bridge Weight (ea.)		Bridge Freight Class*	Hood Hoods-Connect
			Actual	Shipping		Actual	Shipping		
24	25.3" x 24.0" x 31.7" 643mm x 610mm x 805mm	2	55 lbs. 25 kg	65 lbs. 30 kg	85	17.9 lbs. 8 kg	32.9 lbs. 15 kg	85	1
36	25.3" x 36.0" x 31.7" 643mm x 914mm x 805mm	3	55 lbs. 25 kg	65 lbs. 30 kg	85	22.2 lbs. 10 kg	37.2 lbs. 17 kg	85	1 or 2**
48	25.3" x 48.0" x 31.7" 643mm x 1219mm x 805mm	4	55 lbs. 25 kg	65 lbs. 30 kg	85	26.9 lbs. 12 kg	41.9 lbs. 19 kg	85	1 or 2**
60	25.3" x 60.0" x 31.7" 643mm x 1524mm x 805mm	5	55 lbs. 25 kg	65 lbs. 30 kg	85	31.4 lbs. 14 kg	46.4 lbs. 21 kg	85	1 or 2**
72	25.3" x 72.0" x 31.7" 643mm x 1829mm x 805mm	6	55 lbs. 25 kg	65 lbs. 30 kg	85	35.9 lbs. 16 kg	50.9 lbs. 23 kg	85	1, 2 or 3**

*Hoods are factory installed over griddle, freight class is 65 for gas griddle and 85 for electric griddle. Refer to griddle specification for additional griddle weight.
 **Maximum of 2 hoods per service connection.

Model: CSE12AG	Electrical Requirements			
	Voltage	kW Per Phase	Total kW	1 Phase
1 Hood Each	208VAC/60Hz	3.6	3.6	17.3 A
1 Hood Each	240VAC/60Hz	3.6	3.6	15 A
2 Hoods Each	208VAC/60Hz	7.2	7.2	34.6 A
2 Hoods Each	240VAC/60Hz	7.2	7.2	30 A

CAD SYMBOLS & PRICING



Due to continuous improvements, specifications subject to change without notice.



Sheet No. LSP-CCS1G (rev. 05/14)

LANG MANUFACTURING • 10 SUNNEN DR. ST. LOUIS, MO 63143
PHONE: 314-678-6315 • FAX: 314-781-3636 • www.langworld.com