

# KMS-830MLH

## SERENITY SERIES

### CUBER ICE MACHINE

Item # \_\_\_\_\_

Project: \_\_\_\_\_

Qty: \_\_\_\_\_  
 \*AutoCad available on KCL

**KMS-830MLH**  
 I/13  
 Item # 13281

**CUBER DIMENSIONS**  
 W x D x H

**KMS-830MLH**  
 30 x 16<sup>1/2</sup> x 29




**CONDENSING UNIT DIMENSIONS**  
 W x D x H

**Installation Dimension\***  
**SRK-8H / SRK-8H3**  
 35<sup>11/16</sup> x 25<sup>3/8</sup> x 37  
 \*Dimensions include legs

**Actual Dimension**  
**SRK-8H / SRK-8H3**  
 33<sup>5/8</sup> x 22<sup>1/2</sup> x 22

**KMS-830MLH**  
 Remote Air-Cooled  
 Shown on an optional  
 Lancer 30" Dispenser



- Up to 820 lbs. of ice production per 24 hours
- Ice on beverage design
- Less heat in the kitchen
- Minimized noise
- Durable stainless steel exterior
- Individual crescent cube
- Protected by H-GUARD Plus Antimicrobial Agent 
- CycleSaver® Design 
- EverCheck® alert system 
- Stainless steel evaporator
- CFC / HFC Free foam
- R-404A Refrigerant
- Not recommended for side-by-side application

**Warranty**

Valid in United States, Canada, Puerto Rico, & U.S. Territories. Contact factory for warranty in other countries.

**Three Year** - Parts & Labor on entire machine.

**Five Year** - Parts & Labor on: Evaporator.

**Five Year** - Parts on: Compressor, air-cooled condenser coil.



© HOSHIZAKI AMERICA, INC.

618 Hwy. 74 S., Peachtree City, GA 30269

TEL 1-800-438-6087

FAX 1-800-345-1325

www.hoshizaki.com



# Hoshizaki

## KMS-830MLH SERENITY SERIES

**DIMENSIONS**  
W x D x H  
**KMS-830MLH**  
30 x 16<sup>1/2</sup> x 29

**Installation Dimension\***  
**SRK-8H / SRK-8H3**  
35<sup>11/16</sup> x 25<sup>3/8</sup> x 37  
\*Dimensions include legs

**Actual Dimension**  
**SRK-8H / SRK-8H3**  
33<sup>5/8</sup> x 22<sup>1/2</sup> x 22

### REMOTE AIR-COOLED / SRK-8H

Water Temp° F.	50°	70°	90°
Air Temp° F.			
70°	820	785	737
80°	793	739	691
90°	785	<b>700</b>	652

### REMOTE AIR-COOLED / SRK-8H3

Water Temp° F.	50°	70°	90°
Air Temp° F.			
70°	791	761	711
80°	768	722	667
90°	761	<b>690</b>	635

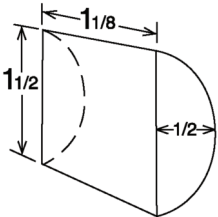
### UTILITY CONSUMPTION

Model Number	Ice Production Per Cycle		KWH per 100 LBS. 90/70	Potable Water Gal. per 100 lbs. 90/70	Condenser Water Gal. per 100 lbs. 90/70
	Lbs.	Cubes			
KMS-830MLH with SRK-8H	13.6	680	5.50	16.0	N/A
KMS-830MLH with SRK-8H3	12.5	680	5.40	16.0	N/A

### SPECIFICATIONS

Model Number	Condenser	Amperage	Min. Circuit Ampacity	Shipping Weight
KMS-830MLH with SRK-8H	Remote Air-Cooled	9.1	20	137 lbs.
				206 lbs.
KMS-830MLH with SRK-8H3	Remote Air-Cooled	7.5	20	137 lbs.
				206 lbs.

### \*KM CUBE DIMENSIONS



\*approximate size in inches, image not to scale

### ELECTRICAL & PLUMBING / KMS-830MLH

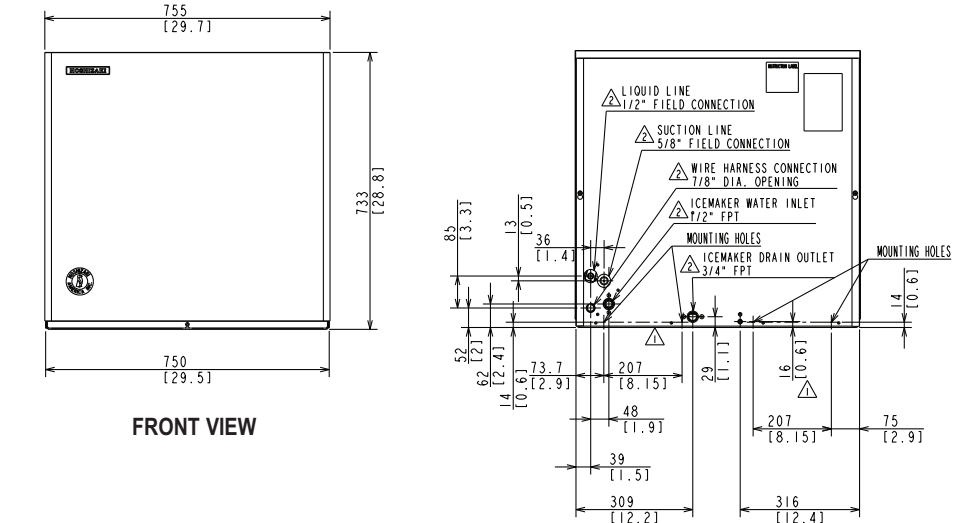
- 115V/60/1 - Voltage supply for the KMS Ice Maker is supplied from the SRK Remote Condenser
- 1/2" FPT copper or equivalent independent potable water supply
- 3/4" FPT independent drain connection

### CONDENSER UNIT / SRK-8H

- 208-230/60/1 (3 wire with neutral for 115V)
- 20 amp Max Fuse/HACR Breaker Size

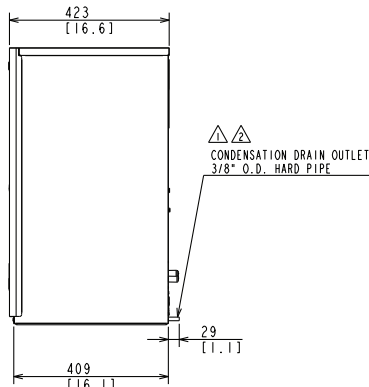
### CONDENSER UNIT / SRK-8H3

- 208-230/60/3
- 20 amp Max Fuse/HACR Breaker Size

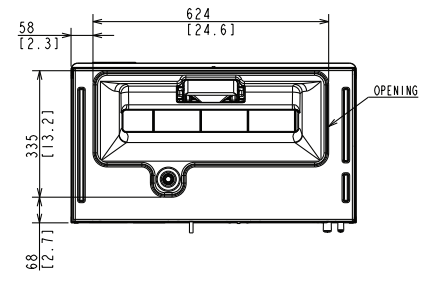


FRONT VIEW

BACK VIEW

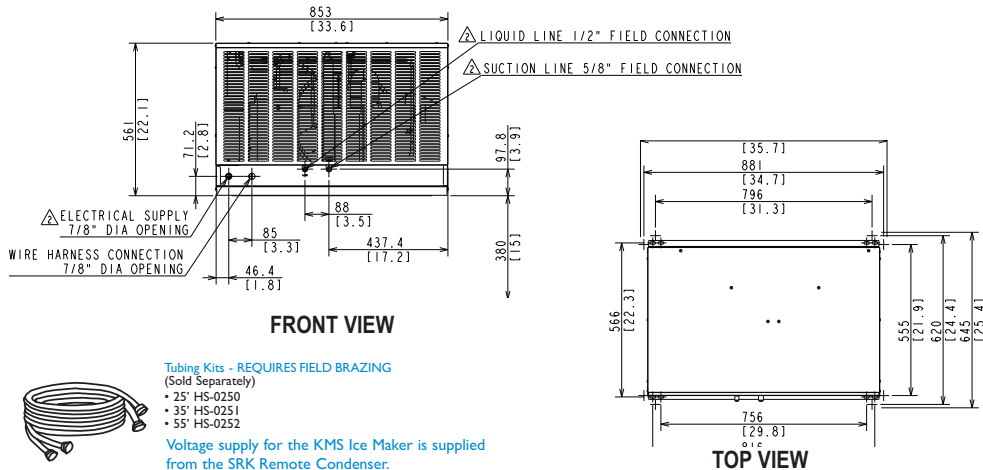


SIDE VIEW



BOTTOM VIEW

SRK-8H / SRK-8H3 Remote Condensing Unit (Sold Separately)  
For Use with KMS-830MLH



FRONT VIEW

TOP VIEW



Tubing Kits - REQUIRES FIELD BRAZING (Sold Separately)

- 25' HS-0250
- 35' HS-0251
- 55' HS-0252

Voltage supply for the KMS Ice Maker is supplied from the SRK Remote Condenser.

### OPERATING LIMITS

- Ambient Temp Range 45 - 100°F
- Water Temp Range 45 - 90°F
- Water Pressure 10 - 113psig
- Voltage Range 187 - 253V

### SERVICE

- Panels easily removed and all components accessible for service.

### CONDENSING UNIT

- Voltage Range 187 - 253V
- Ambient Temp Range -20 - 122° F



© HOSHIZAKI AMERICA, INC.

618 Hwy. 74 S., Peachtree City, GA 30269

TEL 1-800-438-6087

FAX 1-800-345-1325

www.hoshizaki.com

Printed in U.S.A.

