



97302



97336

COMMERCIAL JUICE PRESSES

Olympus™ and Jupiter™

The highly efficient 3 pinion design exerts maximum pressure with minimal effort. Large opening between base legs allows for larger containers to be used for juice collection for more efficient operation. Wide base design for greater stability. 18-8 stainless steel perforated strainer cone and funnel cup remove for easy cleaning. Rubberized handle stop provides quiet operation. Each unit packed in a full color trilingual box.

- **Durability:** Constructed of ultra-strong cast iron
- **Finish:** Enamel coating resists citrus acids, pitting & corrosion
- **Ergonomic:** Sure grip rubber handles are easy to hold & use
- **Stability:** Wide base and rubber suction cup feet for safe operation
- **Color Choices:** Available in black or white to match any décor



Item#	Description	Color	Pack
97302	Olympus Extra Large Commercial Juice Press	White	2
97306	Olympus Extra Large Commercial Juice Press	Black	2
97332	Jupiter Large Commercial Juice Press	White	2
97336	Jupiter Large Commercial Juice Press	Black	2

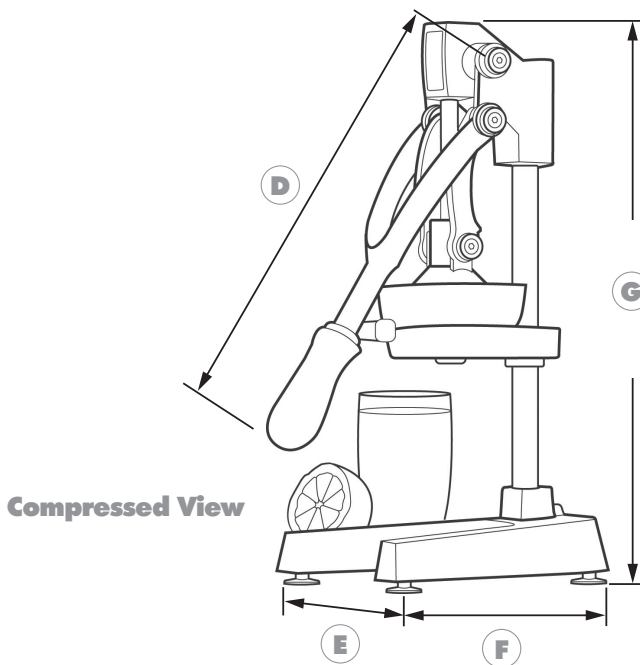
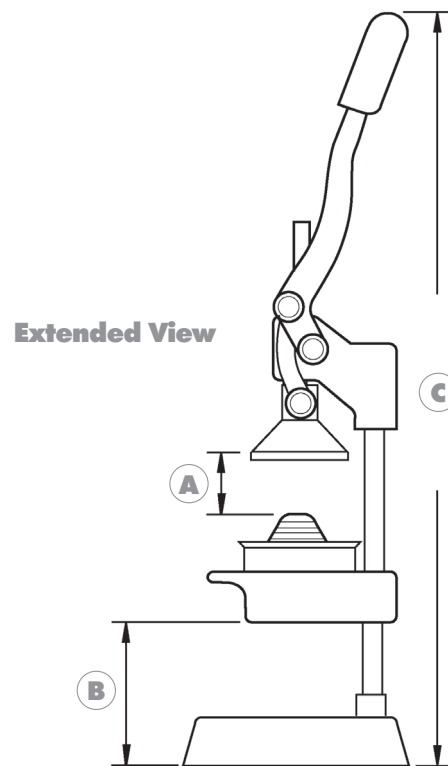
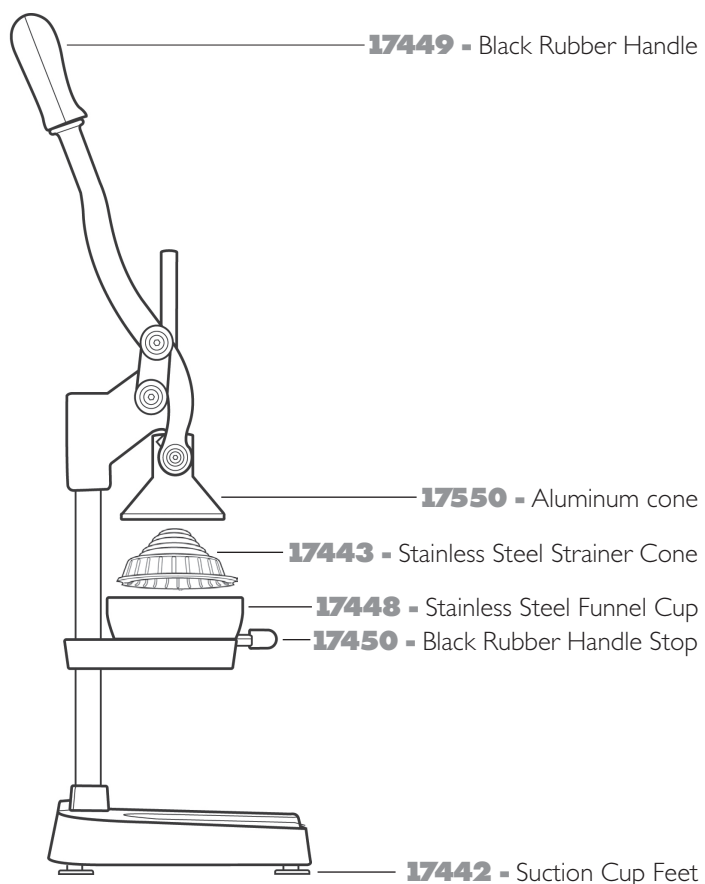
FOCUS COMMERCIAL JUICE PRESSES

OLYMPUS™ & JUPITER™

Job _____

(97302, 97306, 97332, 97336)

SPECIFICATIONS: PART NUMBERS AND MEASUREMENTS



Item#	A	B	C	D	E	F	G
97302 - 97306	2.28" (58mm)	6.00" (152.4mm)	30.16" (152.4mm)	14.16" (360mm)	7.387" (185mm)	9.25" (235mm)	18" (458mm)
97332 - 97336	2.19" (56mm)	5.08" (129mm)	27.16" (690mm)	13.5" (342.9mm)	7.25" (184mm)	8.75" (222.3mm)	14.68" (373mm)



Focus Foodservice, LLC • 300 Knightsbridge Parkway, Suite 500 • Lincolnshire, IL 60069

Phone 800-968-3918 • Fax 800-968-4129 • www.focusfoodservice.com

rev. 0611