

Portable CamBar®

650 Series

- Models BAR650CP – Basic System
- BAR650DSCP – Basic System (Designer Decor)
- BAR650DX – Pre-Mix System
- BAR650DSDX – Pre-Mix System (Designer Decor)

Features & Benefits

- Engineered to fit in standard elevators to be easily moved between locations. Ideal for suites and smaller gatherings.
- Molded high-density polyethylene is impact resistant and easy to clean. Won't dent, crack, rust, chip or break.
- Reinforced aluminum chassis and polyurethane structural foam core ensures unsurpassed strength.
- One ice sink, 80 lbs. (36,3 kg) capacity with slide back cover for optimum sanitation.
- Four each 6" (15,24 cm) swivel casters, two with brakes, for smooth transport across carpet, cement or grass.
- Unique detachable front lifts off, giving complete access to all storage areas for inventory and cleaning or routing soda lines, tubes and hoses.
- Oversized seven-bottle speed rail with towel grips is standard with all models. Detaches for easy cleaning. Built-in partitions keep bottles separated to prevent breakage.
- Sealed-in eight-circuit patented cold plate has unique "roof top" design that directs melted water immediately into drainage channels and into the waste-water bin. Keeps ice colder longer.
- Circuit exposure through cold plate chills liquids dispensed from the soda gun.
- Premium quality Wunder-Bar® 5-button pre-mix soda gun offers fast, low foaming delivery.
- Non-electric.
- No assembly required.
- Available in 10 color and decor combinations.
- Designer Series offers a decorative counter, front and side panels for an upgraded appearance. Panels are made from thermoformed ABS plastic with a clear finish for UV, scratch and chemical resistance. Counter is a granite pattern over a fiberglass composite structure.
- Requires customer installation of Pre-Mix soda gun system.
- BAR650DX/ BAR650DSSDX includes:
Deluxe model with one 5-button Wunder-Bar gun, one sealed-in cold plate, one CO₂ regulator and gauge, one CO₂ clamp and chain, one speed rail, one waste water bin, one retainer strap, and one each 80 lbs. (36,3 kg) ice sink and cover.
- BAR650CP/ BAR650DSCP includes:
One sealed-in cold plate, one CO₂ chain, one speed rail, one waste water bin, one retainer strap, and one each 80 lbs. (36,3 kg) ice sink and cover.

Item No. _____

Specifier Identification No. _____

Model No. _____

Quantity _____



BAR650DSDX



Premium quality 5-button, post-mix soda gun by Wunder-Bar with fast, low foaming delivery.



Exclusive Cold Plate Patented "roof top" design. U.S. Patent 5,743,602.

Designer Decor Colors



Manhattan (667)
Black base and coal countertop with brushed pewter panels.



Sedona (668)
Granite sand base and cocoa countertop with light burlwood panels.



Carmel (669)
Black base and coal countertop with dark burlwood panels.



Chicago (770)
Black base and coal countertop with smooth brushed pewter panels.

Portable CamBar®

650 Series

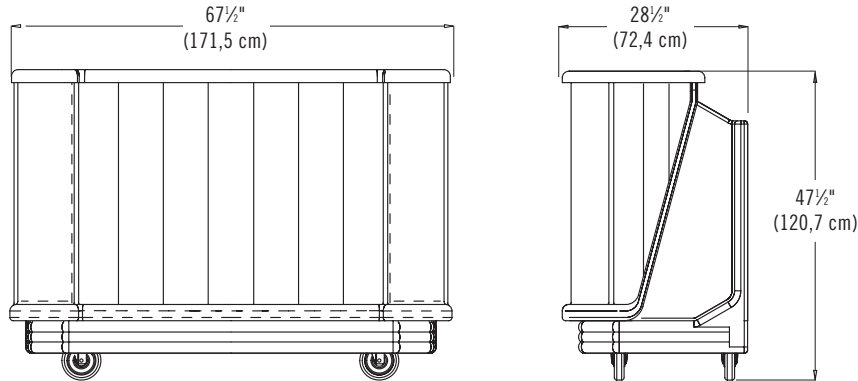
Models BAR650CP – Basic System
 BAR650DSCP – Basic System (Designer Decor)
 BAR650DX – Pre-Mix System
 BAR650DSDX – Pre-Mix System (Designer Decor)

Item No. _____

Specifier Identification No. _____

Model No. _____

Quantity _____



BAR650CP / BAR650DSCP / BAR650DX / BAR650DSDX

Specifications

Dimension Tolerance: +/- 1/4" (0,64 cm)

Code	Description	Overall Dimensions L x D x H	Unit Weight lbs. / kg	Case lbs. (Cube)/ Case kg. (M³)
BAR650DX	One Pre-mix system equipped for 5-gallon (18,9 L) soda canisters	67½" x 28½" x 47½" (171,5 x 72,4 x 120,7 cm)	264.42 / 119,9	294 (52.88) 133,4 (1,5)
BAR650DSDX	One Pre-mix system equipped for 5-gallon (18,9 L) soda canisters (Designer Decor Color)	67½" x 28½" x 47½" (171,5 x 72,4 x 120,7 cm)	311.42 / 141,3	341 (52.88) 154,7 (1,5)
BAR650CP	One system partially equipped for soda service	67½" x 28½" x 47½" (171,5 x 72,4 x 120,7 cm)	284.42 / 129	314 (52.88) 142,4 (1,5)
BAR650DSCP	One system partially equipped for soda service (Designer Decor Color)	67½" x 28½" x 47½" (171,5 x 72,4 x 120,7 cm)	296.42 / 134,5	326 (52.88) 147,9 (1,5)

Optional Accessories

- Wire Shelving 650WS
- Retaining Strap 730STP (1 each with CamBar)
- Retaining Chain for CO₂ Canisters 730CHN (1 each with CamBar)
- Seven-Bottle Speed Rail 730SR (1 each with CamBar)
- Five-Bottle Speed Rail BAR54SR (1 each with CamBar)

Standard Colors

- Black (110)
- Granite Gray (191)
- Granite Sand (194)
- Two-Tone Brown Mahogany (189)
- Granite Gray with Black Base (420)
- Granite Green with Black Base (421)

Speed Rail Colors (If ordered separately from CamBar.)

- Black (110)
- Gray (180)*
- Slate Blue (401)*
- Dark Brown (131)
- Granite Gray (191)
- Coffee Beige (157)*
- Granite Sand (194)

*Colors only available for BAR54SR.

Designer Decor Colors

- Manhattan (667)
- Carmel (669)
- Sedona (668)
- Chicago (770)

Architect Specs

The pre-mix portable bar shall be a CamBar650 Series, manufactured by Cambro Mfg. Co., Huntington Beach, CA 92648 U.S.A. It shall be a Cambro Model constructed of molded high-density polyethylene and foam-injected polyurethane with a built-in bumper. It shall have an access passage in the middle compartment for a water line or electrical cord. It shall have 4 each 6" (15,24 cm) swivel casters, 2 with brakes, on an aluminum chassis. It shall be available with a premium 5-button Wunder-Bar® pre-mix soda gun, sealed-in 8-circuit "roof top" design cold plate and CO₂ regulator and gauge, CO₂ clamp and chain. It shall have an oversized, 7-bottle partitioned speed rail with towel grips, a waste-water bin and an 80 lbs. (36,3 kg) ice sink and slide-back cover. It shall have 1 retainer strap and 1 vinyl cover. It shall have a detachable front that lifts off. All models shall be available in 10 color and decor combinations.