

WIRE SHELVING ACCESSORIES

Item #: _____ **Qty #:** _____

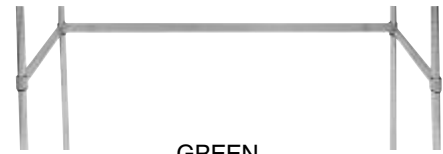
Model #: _____

Project #: _____

 EC-5	 EC-11
 EC-10	 EC-15
 EC-16	 EC-20
 EC-25	 EC-26
 EC-30 (for Add-Shelving see pages S-1 & S-2)	 EC-40
 UCH-18, UCH-24	 Shelf Ledges SL Series  Shelf Dividers SD Series

- | Model # | Description |
|-----------------------------------|--|
| EC-5 | Post Clamp |
| EC-10 | Replacement Leveling Foot |
| EC-11 | Foot Plate |
| EC-15 | Collar Filler Caps |
| EC-16 | Post Cap |
| EC-20 | Tapered Split Sleeves (4 per pack) |
| EC-25 | 5" Rubber Swivel Stem Casters (set of 4) |
| EC-26 | 5" Poly Swivel Stem Casters (set of 4) |
| EC-30 | Chrome S Hooks for Add-Shelving (2 pk.) |
| EC-40 | Label Holder (3" x 1") |
| UCH-18 | 18" Utility Cart Handle |
| UCH-24 | 24" Utility Cart Handle |
| SHELF LEDGES - 4" HEIGHT | |
| SL-14 | 14" Width |
| SL-18 | 18" Width |
| SL-24 | 24" Width |
| SL-36 | 36" Width |
| SL-42 | 42" Width |
| SL-48 | 48" Width |
| SL-60 | 60" Width |
| SHELF DIVIDERS - 8" HEIGHT | |
| SD-14 | 14" Width |
| SD-18 | 18" Width |
| SD-24 | 24" Width |

MODEL #	Qty
EC-5	
EC-10	
EC-11	
EC-15	
EC-16	
EC-20	
EC-25	
EC-26	
EC-30	
EC-40	
UCH-18	
UCH-24	
SL-14	
SL-18	
SL-24	
SL-36	
SL-42	
SL-48	
SL-60	
SD-14	
SD-18	
SD-24	



3-SIDED FRAME

CHROME GREEN EPOXY

MODEL #	MODEL #	Size	Qty
SF-1824		18" x 24"	
SF-1830		18" x 30"	
SF-1836	GF-1836	18" x 36"	
SF-1848	GF-1848	18" x 48"	
SF-1860	GF-1860	18" x 60"	
SF-2424		24" x 24"	
SF-2430		24" x 30"	
SF-2436	GF-2436	24" x 36"	
SF-2448	GF-2448	24" x 48"	
SF-2460	GF-2460	24" x 60"	

DETAILS and SPECIFICATIONS

TOL ± .500"

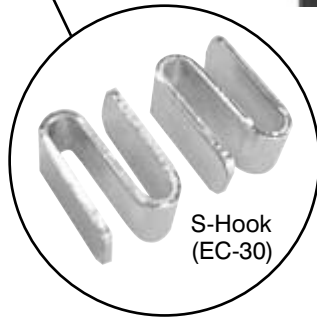
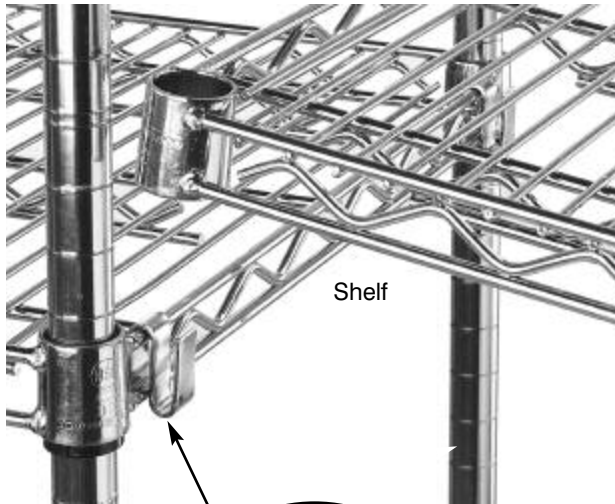
ALL DIMENSIONS ARE TYPICAL

ADD-SHELVING COMBO



Available in Chrome - ECAD SERIES

includes 4 chrome shelves, 2 - 74" posts and 8 S-hooks



MODEL	Shelf Size	Approx. Wt.
ECAD-1436	14" x 36"	55 lbs.
ECAD-1442	14" x 42"	60 lbs.
ECAD-1448	14" x 48"	66 lbs.
ECAD-1460	14" x 60"	84 lbs.
ECAD-1472	14" x 72"	98 lbs.
ECAD-1836	18" x 36"	59 lbs.
ECAD-1842	18" x 42"	64 lbs.
ECAD-1848	18" x 48"	72 lbs.
ECAD-1860	18" x 60"	90 lbs.
ECAD-1872	18" x 72"	106 lbs.
ECAD-2436	24" x 36"	66 lbs.
ECAD-2442	24" x 42"	72 lbs.
ECAD-2448	24" x 48"	80 lbs.
ECAD-2460	24" x 60"	102 lbs.
ECAD-2472	24" x 72"	118 lbs.

