



ALUMINUM

HALF SIZE PIZZA PAN & DOUGH RACKS WITH SOLID ALUMINUM TOP



Pizza Pan Rack



Item #: _____ **Qty #:** _____

Model #: _____

Project #: _____



Pizza Dough Box Rack



Half Size Rack



FEATURES:

Pizza Pan Rack

2" shelf spacing, 12 pan capacity, 5" poly stem bolted casters, 4" wide slides.

Pizza Dough Box Rack

3 3/4" shelf spacing, 7 box capacity, 5" poly stem bolted casters, 1 1/2" ribbed angles.

Half Size Rack

3" shelf spacing, 10 pan capacity, 5" poly stem bolted casters, 1 1/2" ribbed angles.

CONSTRUCTION:

Fully welded, ready for use.

Solid Aluminum Top

MATERIAL:

6063-T52 extruded aluminum angles, upright tubing, and support pieces.

MODEL #	Pan/Box Capacity	Shelf Spacing	Overall Size L x W x H	Weight
PZ12	12	2"	22" x 20" x 33 3/4"	52 lbs.
PDB7	7	3 3/4"	26 1/2" x 20 1/2" x 33 3/4"	27 lbs.
PR10-3WT	10	3"	20 1/4" x 26" x 38 1/2"	30 lbs.
PR10-3PT	10	3"	20 1/4" x 26" x 38 1/2"	45 lbs.
PR10-3ST	10	3"	20 1/4" x 26" x 38 1/2"	35 lbs.



Customer Service Available To Assist You **1-800-645-3166** 8:30 am - 8:00 pm E.S.T.

Email Orders To: customer@advancetabco.com. For Smart Fabrication™ Quotes, Email To: smartfab@advancetabco.com or Fax To: 631-586-2933

NEW YORK
Fax: (631) 242-6900

GEORGIA
Fax: (770) 775-5625

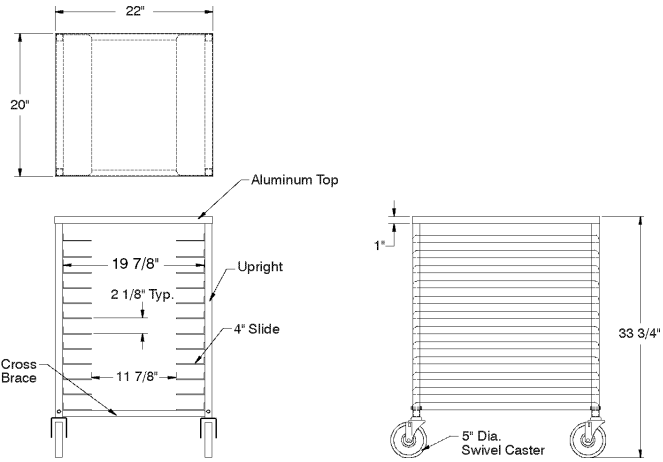
TEXAS
Fax: (972) 932-4795

NEVADA
Fax: (775) 972-1578

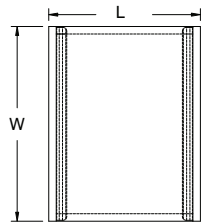
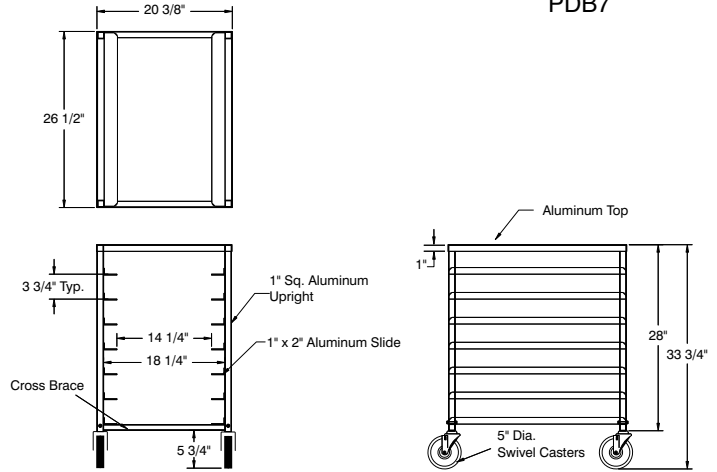
DIMENSIONS and SPECIFICATIONS

TOL ± .500" ALL DIMENSIONS ARE TYPICAL

PZ12



PDB7



PR10 SERIES

