



Sleek Shields™

CAFETERIA FOOD SHIELDS

WITH STAINLESS STEEL SHELF OR GLASS TOP

Protected by: Patent No. US 9,010,883 B2

Cafeteria Food Shield with Stainless Steel Shelf



Maximum Glass Opening is 1-1/2" From Table to Bottom of Glass (shown with 1" Anodized Aluminum Posts)

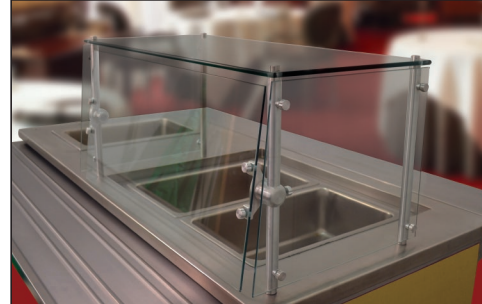


Advance Tabco's Revolutionary "Chamber Lock" System makes rotating food shields easier than ever



Meets Latest NSF Standards

Cafeteria Food Shield with Glass Top



Maximum Glass Opening is 1-1/2" From Table to Bottom of Glass
Max. load for Top Glass is 100 lbs. even distributed wt. (shown with 1" Anodized Aluminum Posts)

Single Tier with Stainless Steel Shelf

Length	12" WIDE	15" WIDE	18" WIDE	Approx. Wt.	Approx. Cu. Ft.
36"	NSGC-12-36	NSGC-15-36	NSGC-18-36	50 lbs.	14
48"	NSGC-12-48	NSGC-15-48	NSGC-18-48	58 lbs.	18
60"*	NSGC-12-60	NSGC-15-60	NSGC-18-60	66 lbs.	22
72" †	NSGC-12-72	NSGC-15-72	NSGC-18-72	78 lbs.	26
84" †	NSGC-12-84	NSGC-15-84	NSGC-18-84	88 lbs.	30
96" †	NSGC-12-96	NSGC-15-96	NSGC-18-96	99 lbs.	34
108"* †	NSGC-12-108	NSGC-15-108	NSGC-18-108	111 lbs.	38
120"* †	NSGC-12-120	NSGC-15-120	NSGC-18-120	127 lbs.	42
132" †	NSGC-12-132	NSGC-15-132	NSGC-18-132	142 lbs.	46
144" ††	NSGC-12-144	NSGC-15-144	NSGC-18-144	164 lbs.	50

*3/8" Thick Heat-Tempered Glass Required For Front

† Requires a single center post

†† Requires two center posts

Single Tier with Glass Top

Length	12" WIDE	15" WIDE	18" WIDE	Approx. Wt.	Approx. Cu. Ft.
36"	GSGC-12-36	GSGC-15-36	GSGC-18-36	52 lbs.	6
48"	GSGC-12-48	GSGC-15-48	GSGC-18-48	64 lbs.	8
60"*	GSGC-12-60	GSGC-15-60	GSGC-18-60	72 lbs.	9
72" †	GSGC-12-72	GSGC-15-72	GSGC-18-72	84 lbs.	11
84" †	GSGC-12-84	GSGC-15-84	GSGC-18-84	96 lbs.	13
96" †	GSGC-12-96	GSGC-15-96	GSGC-18-96	110 lbs.	14
108"* †	GSGC-12-108	GSGC-15-108	GSGC-18-108	122 lbs.	10
120"* †	GSGC-12-120	GSGC-15-120	GSGC-18-120	135 lbs.	11
132" †	GSGC-12-132	GSGC-15-132	GSGC-18-132	150 lbs.	12
144" ††	GSGC-12-144	GSGC-15-144	GSGC-18-144	165 lbs.	10

Consult Factory for Heat Lamp Modification when mounting to Glass Top Food Shields

FEATURES:

- Front glass locks in place at 15° intervals.
- Attractive, low profile design & Easy to clean.
- Available with 1" tubular stainless steel posts or 1-5/8" stainless steel posts (please specify).
- Chamber lock™ is mounted to post in a fixed position.
- Includes Two 15-3/8" High Side Panels.
- 1/4" Heat-Tempered Glass Front & Sides.

Includes:

- Stainless Steel Shelving Available In 12", 15" or 18" Widths.
- Shelves have two rolled edges on front & rear and square edges on left & right sides.
- Glass Unit features 3/8" Heat-Tempered Glass Top.

CONSTRUCTION:

- All TIG welded.
- Exposed stainless steel surfaces polished to a satin finish.

MATERIAL:

- 1/4" Thick Heat-Tempered Side Glass.
- 3/8" Thick Heat-Tempered Top Glass (GSG Model).
- Shelf - 18 Ga., Type 430 Stainless Steel.
- 1" Post - Stainless Steel.
- 1-5/8" Post - Stainless Steel.
- Chamber Lock™ - Anodized Aluminum.
- Finish - Aluminum components manufactured with a standard Satin Clear Finish. Other colors available for Aluminum Components Only. Please consult factory for additional colors.



Customer Service Available To Assist You 1-800-645-3166 8:30 am - 8:00 pm E.S.T.

Email Orders To: customer@advancetabco.com. For Smart Fabrication™ Quotes, Email To: smartfab@advancetabco.com or Fax To: 631-586-2933

NEW YORK
Fax: (631) 242-6900

GEORGIA
Fax: (770) 775-5625

TEXAS
Fax: (972) 932-4795

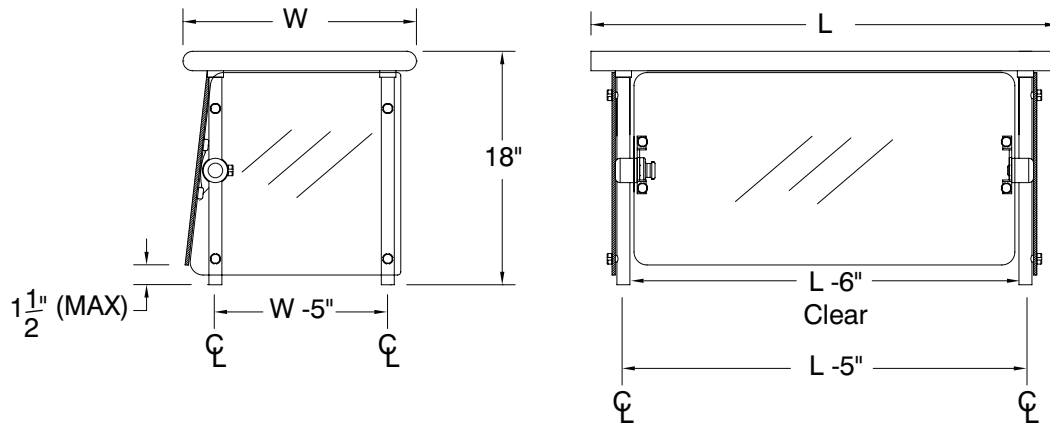
NEVADA
Fax: (775) 972-1578

DETAILS and SPECIFICATIONS

TOL ± .500"

ALL DIMENSIONS ARE TYPICAL

NSGC SERIES SINGLE TIER with Stainless Steel Shelf

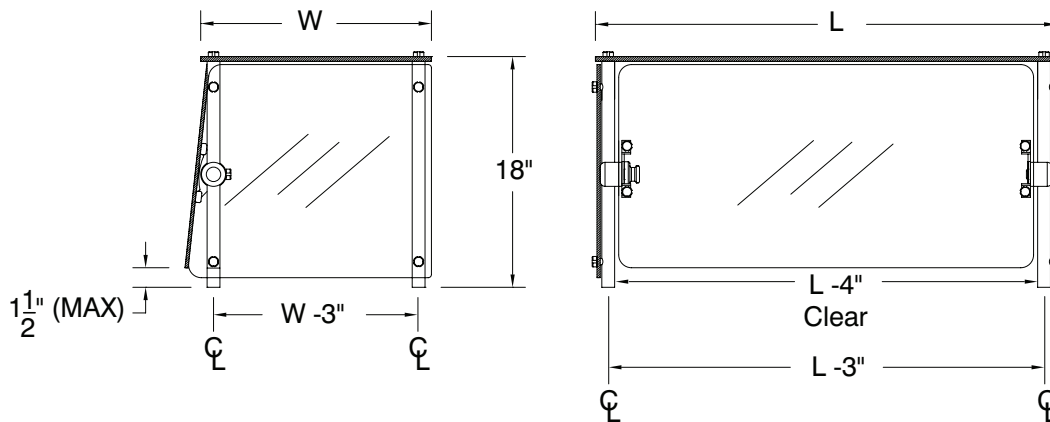


Maximum Front Glass Opening is 13" From Table to Bottom of Glass

NSF Requires Side Glass to be 18" Wide Minimum

NOTE: Glass panels that exceed 66" will require a center support/posts.

GSGC SERIES SINGLE TIER with Glass Top



Maximum Front Glass Opening is 13" From Table to Bottom of Glass

NSF Requires Side Glass to be 18" Wide Minimum. Max. load for Top Glass is 100 lbs. even distributed weight

NOTE: Glass panels that exceed 66" will require a center support/posts.

Optional Accessories

Surface Mounting Brackets

Use when access below countertop is not available.



SG-1
Fits 1" Posts
2" O.A. Diameter

(Compatible With All Advance Tabco Food Shields)

Standard Concealed Mounting Hardware

Requires access below counter for installation.

