

UPRIGHT BEVERAGE COOLER

Single Door



Model REB-12

Model REB-20

FEATURES

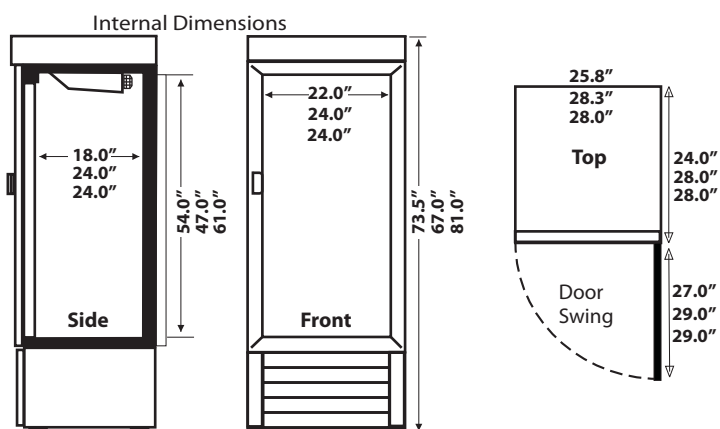
- ▶ Large lighted LED temperature display
- ▶ Light sensing electronic control for up to 35% energy savings
- ▶ Top exterior switch controls lightbar & interior lights
- ▶ No-frost - automatic defrost by thermostat cycle
- ▶ Winged evaporator with cold air forced ventilation
- ▶ Anti-fogging glass auto-close door
- ▶ Illuminated lightbar for branding display
- ▶ Interior light
- ▶ Adjustable shelves
- ▶ Operating temperature range: +33° to +38° F
- ▶ Refrigerant CFC-free R-134a
- ▶ 7-ft power cord and plug set
- ▶ Packout: 12 oz soda cans: 240 288 315
20 oz bottles: 168 168 192

OPTIONS

- ▶ Spring-fed shelf organizers
- ▶ Custom graphics

SPECIFICATIONS

| Model | Shelves (Adj & Fixed) | External Dimensions W x D x H | Gross Cu Ft | Shipping Weight | Amps | H/P | Electrical |
|--------|-----------------------|-------------------------------|-------------|-----------------|------|-----|----------------|
| REB-12 | 4 | 25.8" x 24.0" x 73.8" | 11.6 | 288 | 5.2 | 1/5 | 115/120V, 60Hz |
| REB-16 | 4 | 28.3" x 28.0" x 67.6" | 16.3 | 295 | 6.0 | 1/4 | 115/120V, 60Hz |
| REB-20 | 5 (4 + 1) | 28.0" x 28.0" x 79.8" | 20.3 | 332 | 6.5 | 1/3 | 115/120V, 60Hz |



WARRANTY
 18 Months Parts and Labor
 5 Years Compressor (part only)

Administered by:
 Metalfrío Solutions
 (888) 403-0070 Toll Free



Certified to ANSI/NSF 7 Standards

Product design and specifications are subject to modification by manufacturer without prior notice.