



Summit Gas Convection Ovens

models **SUMG-100, SUMG-200**

PARTS LIST

Phone (US & Canada): 1 800 427 6668

Fax (US & Canada): 1 800 361 7745

www.Garland-Group.com

Quality Factory Replacement Parts for the World's Finest Foodservice Equipment Solutions

This parts list is updated regularly. Please find the most current revision
on our website @ www.Garland-Group.com



Summit Gas Convection Oven

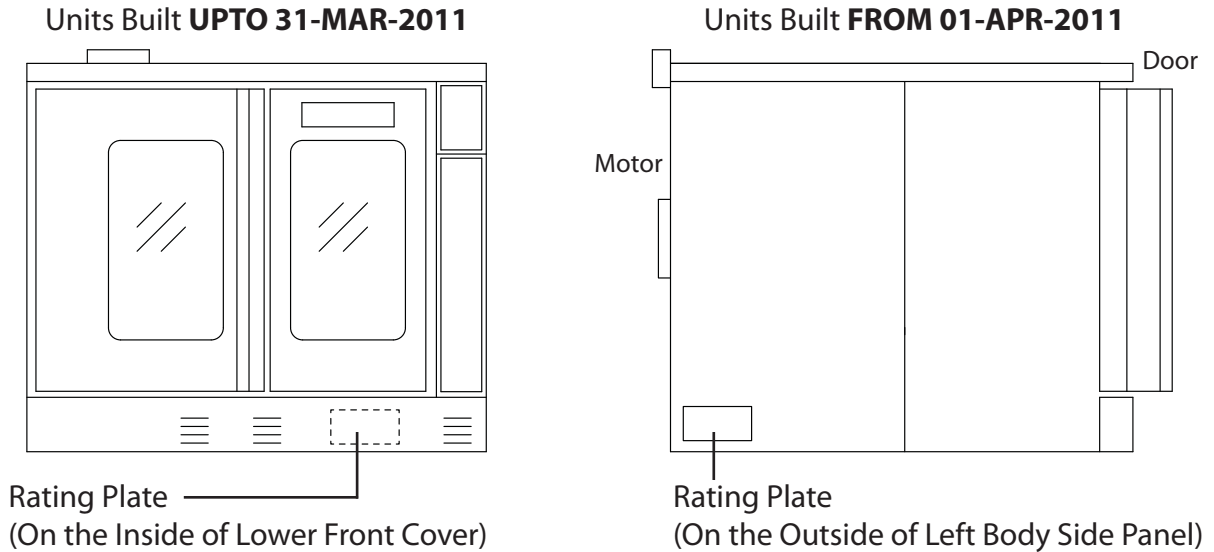
models **SUMG-100, SUMG-200**

Table of Contents

Rating Plate Location / Model & Serial# Interpretation	5
Main Exterior Components.....	6
Oven Components.....	8
Summit 20 Manual Control Panel & Components	10
Burner Section Components (NOT DSI - UP TO serial# 0709100242026).....	14
Burner Package & Components (DSI - FROM serial# 0709100242026).....	16
Door Components & Assemblies (for units manufactured UP TO 14-April-2005).....	18
Door Components & Assemblies (for units manufactured FROM 14-April-2005).....	22
List of Wiring Diagrams & Available Kits.....	26
Related Bulletins.....	27
Revision History	27

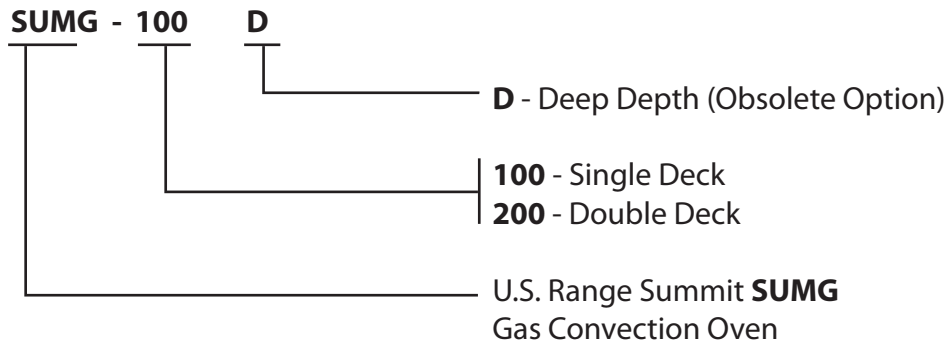
Blank Page

Rating Plate Location



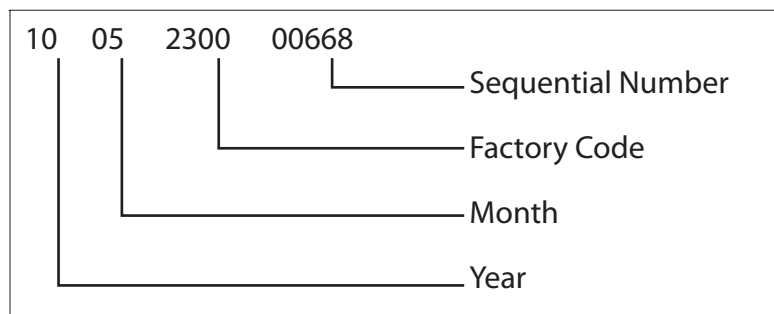
Model Number Interpretation

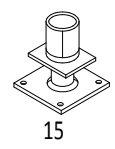
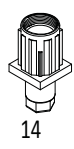
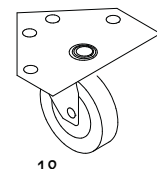
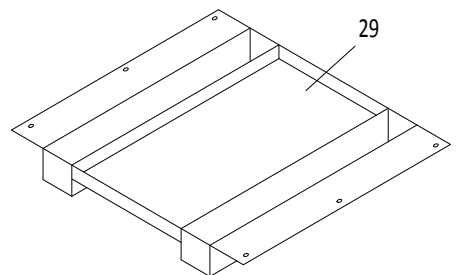
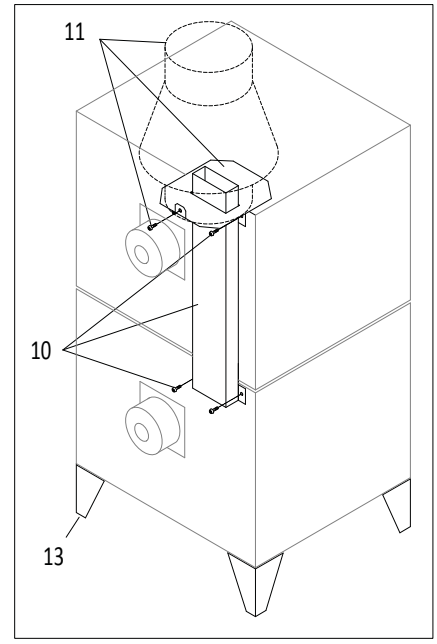
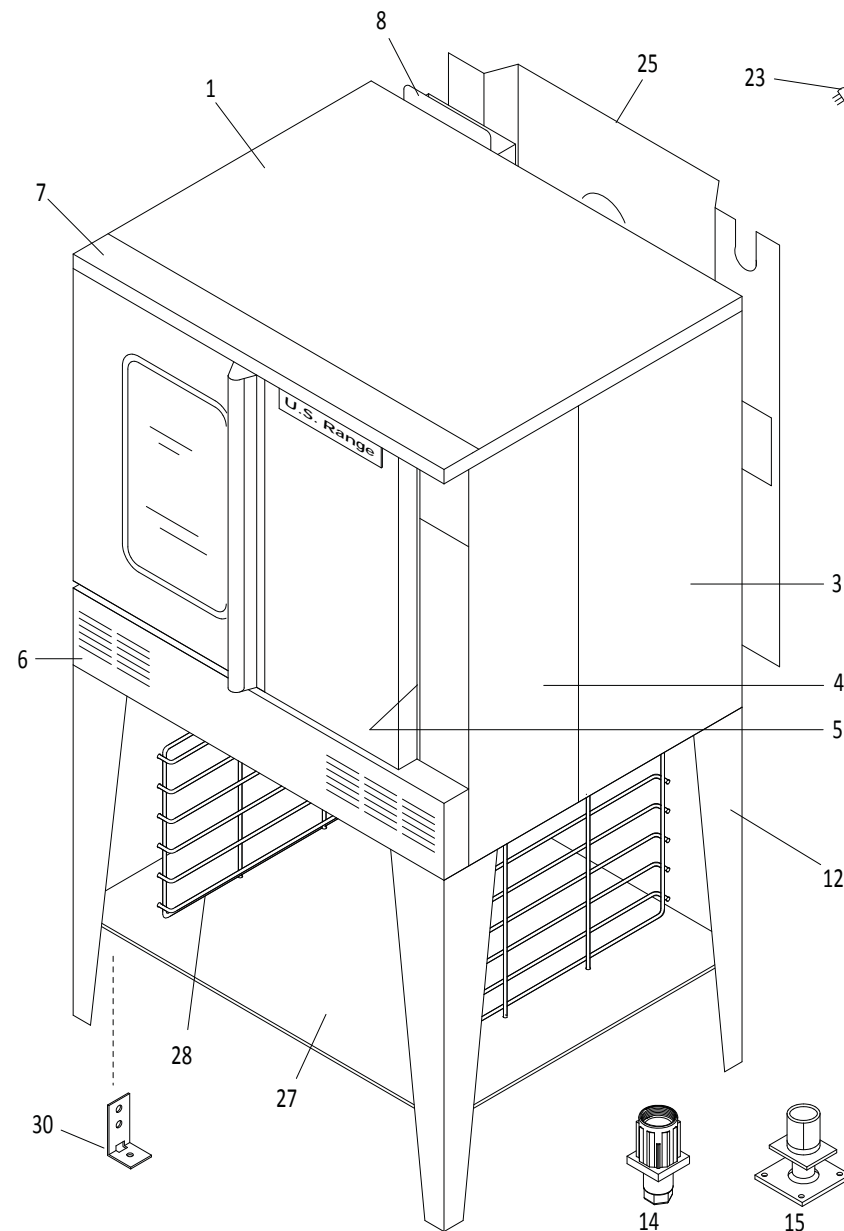
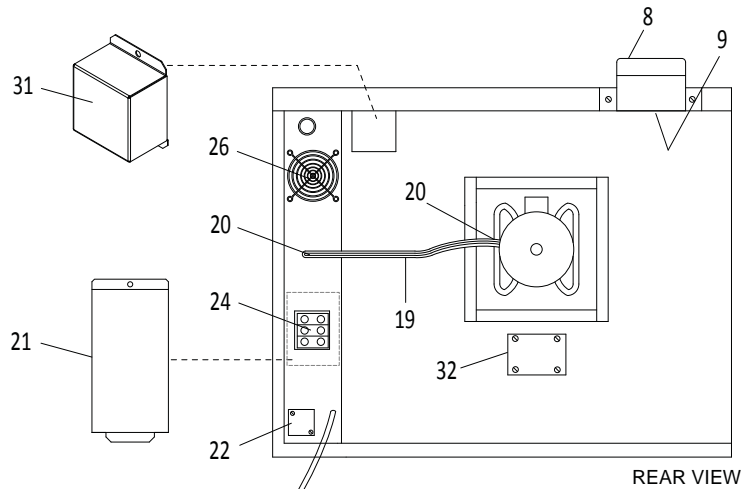
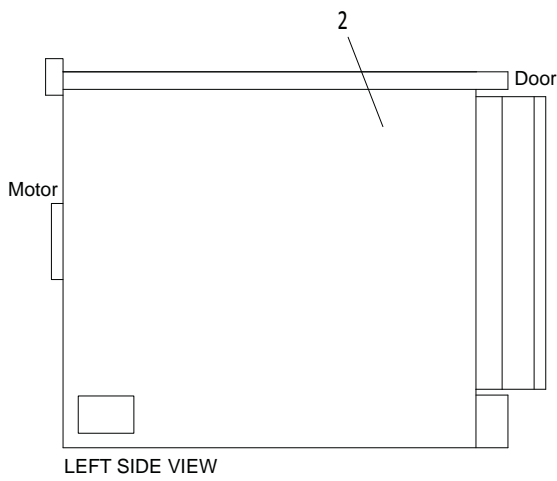
- SUMG-100
 SUMG-200
 SUMG-100D
 SUMG-200D



Serial# (Year/Month Information)

The Serial Number is **13 Digits** long and is stamped on the Rating Plate.





18

U.S. RANGE PARTS IDENTIFICATION

Summit Gas Convection Oven

models SUMG-100/200

MAIN EXTERIOR COMPONENTS

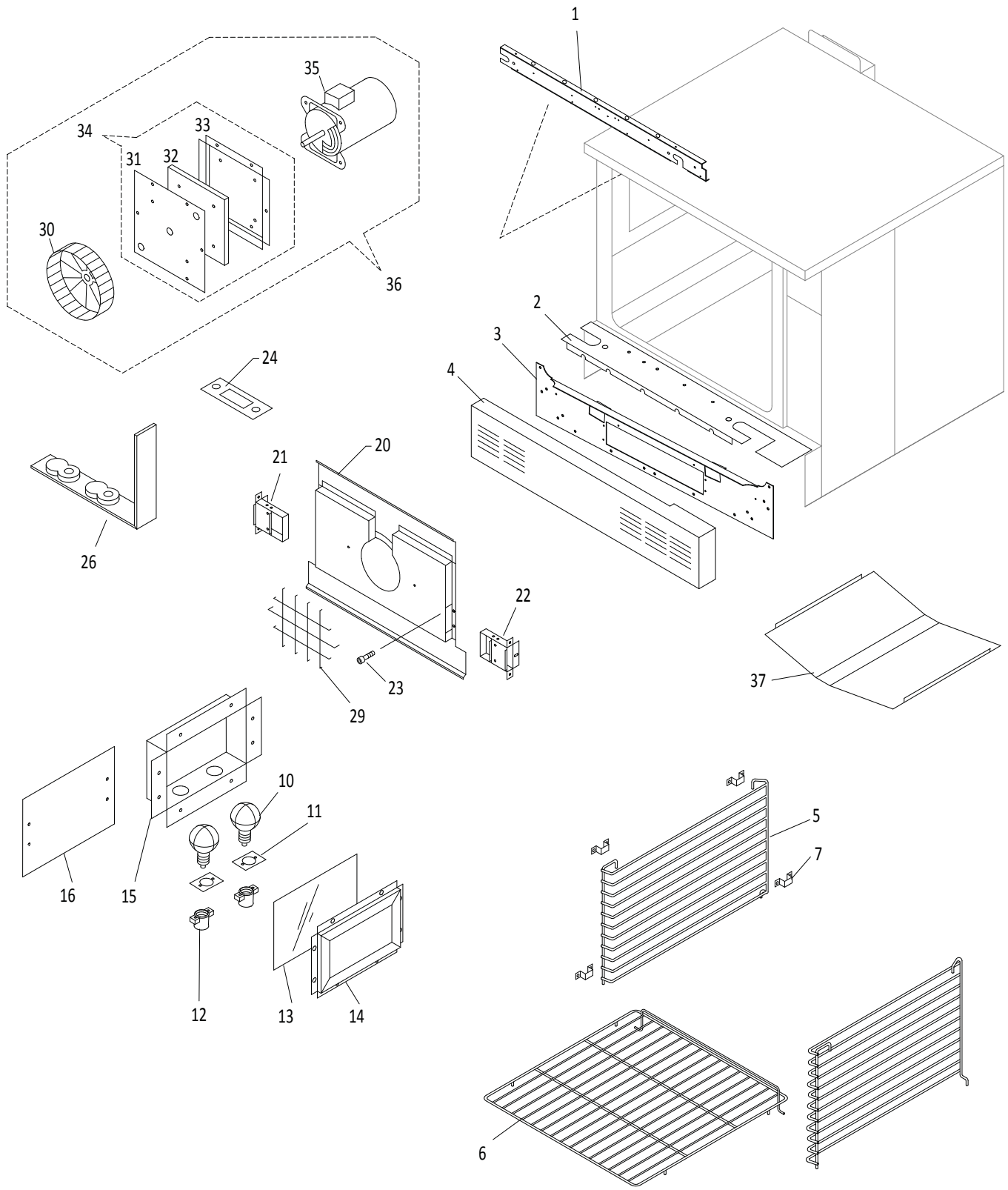
ITEM	PART #	DESCRIPTION	QTY	CRITICAL
1	1917602	Cover - Main Top, SS	1	
2	1920201	Cover - Body Side, Left, SS	1	
3	1918701	Cover - Body Side, Right, SS	1	
4	1925901	Cover - Control Panel, Right, SS	1	
5	1925801	Cover - Control Panel, Left, SS	1	
6	4519724	Cover - Lower Front Trim, SS	1	
6A*	8003107	#10-24 x 3/4" Machine Screw-Th-Phl (for Lower Front Trim Cover)		
7	1925301	Cover - Upper Front Trim, SS	1	
7A*	8002107	#10 x 1/2" Machine Screw-Th-Phl-B Stl 2P (for Upper Front Trim Cover)		
8++	1919999	Vent Assembly - Outer, Standard or Deep Depth	1	
9++	1919399	Vent Assembly - Standard	1	
	1919398	Vent Assembly - Deep	1	
10	CK1920099	Flue Assembly for Double Deck Note: Kit includes sheet metal flue channels (part# 1920001, 1920002) and fasteners (8002106).	1	
11	1951217	Direct Vent Kit (for single or double deck) Note: Kit includes Flue Adapter Plate (1953001), Direct Vent Bell (1190100), and fasteners (8002108).	1	
12	1927199	Leg - Single Deck, SS, for Casters, approx. 19-3/4"	4	
	1927197	Leg - Single Deck, SS, for Foot Inserts, 24"	4	
13	1927195	Leg - Double Deck, SS	4	
14	1236100	1-1/2" Square Foot Insert - Chrome Plated	4	
15	1949701	Flanged Foot Insert (Optional Feature)	4	
16	1775102	Caster Insert (Single Deck Only)	4	
17	1926501	Caster - 4" Swivel without Brake, 3/4NPT	4	
	1926502	Caster - 4" Swivel with Brake, 3/4NPT	4	
18	1926531	Heavy Duty Caster - 5" Swivel without Brake, for Double Deck	4	
	1926532	Heavy Duty Caster - 5" Swivel with Brake, for Double Deck	4	
	4524736	Kit - Casters 3" Swivel without Brake (low profile) Note: Kit Includes Two Casters	1	
	4524737	Kit - Casters 3" Swivel with Brake (low profile) Note: Kit Includes Two Casters	1	
19	1029426	3/8 BX Cable 26" Long	1	
20	1028501	BX Connector - Straight	2	
21	1927898	Cover - External Terminal Block (208/240V Units)	1	
22	1928206	Plate - Line Cord Patch	1	
23	1029501	8' Long Power Cord (115V Gas Unit)	1	
24	1193900	Terminal Block - 3 Pole-Hi Voltage	1	
25++	1921001	Cover - Main Back, Std SS	1	
	1921003	Cover - Main Back, Deep SS	1	
26	1919001	Cooling Fan Guard - 120mm	1	
27	1926902	Panel - Open Base, SS	1	
28	1926702	Rack Guide - Lower, Open Base	2	
29	1926802	Support - Rack Guide, Upper	1	
30	1927001	Clip - Lower Rack Guide Support	4	
31	1916301	Probe Connector Cover	1	
32	1928204	Plate - Element Patch	1	

* NOT ILLUSTRATED

RECOMMENDED STOCK PARTS

++ Deep Depth Option for SUMG was available UP TO June/2012.

OVEN COMPONENTS



U.S. RANGE PARTS IDENTIFICATION

Summit Gas Convection Oven

models **SUMG-100/200**

OVEN COMPONENTS

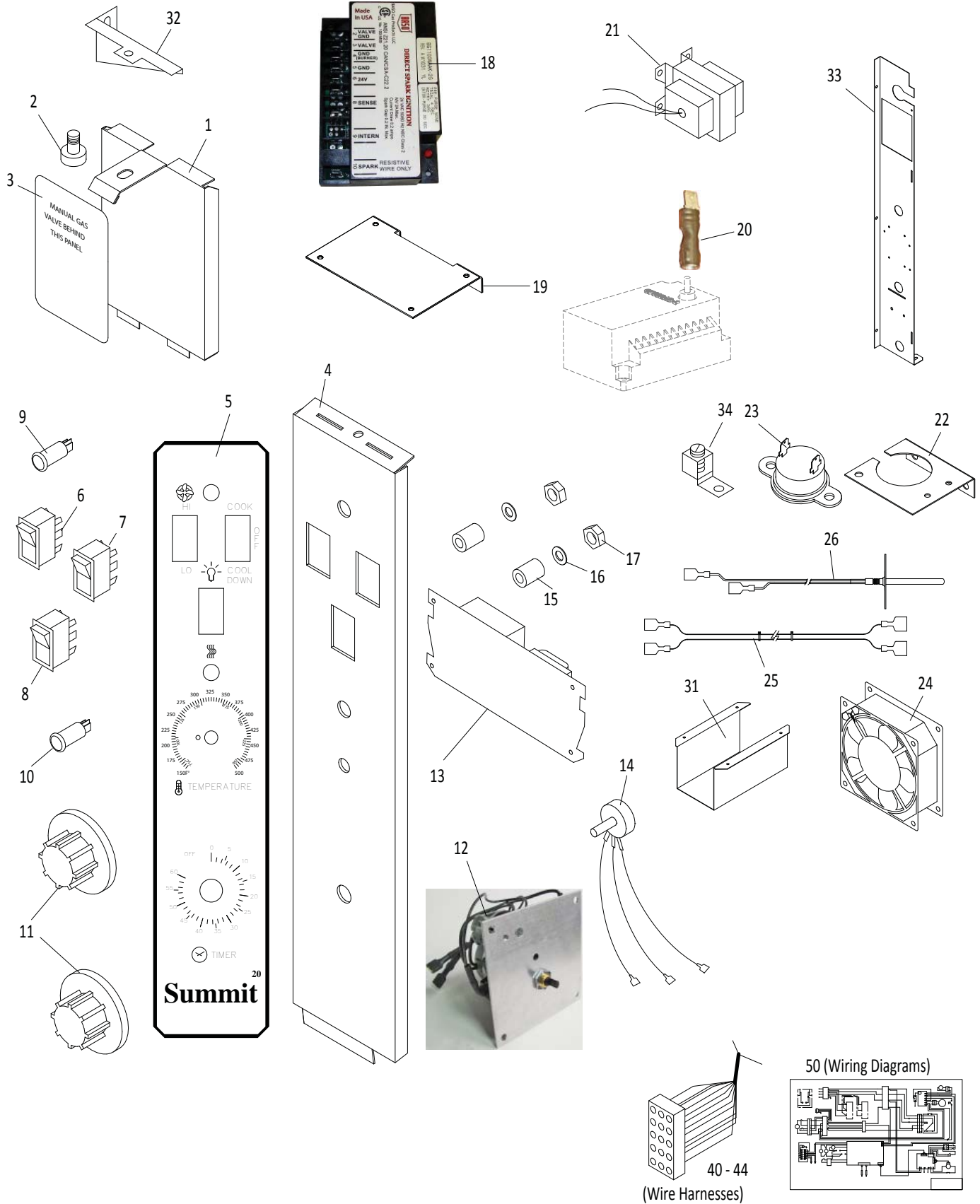
ITEM	PART #	DESCRIPTION	QTY	CRITICAL
1	1925201	Channel - Upper Hinge	1	
2	1925202	Channel - Lower Hinge	1	
3	1915401	Cover - Burner Box Front	1	
4	4519724	Cover - Lower Front Trim	1	
5 ++	1922001	Oven Rack Guide - 10 Positions, Standard	2	
	1922002	Oven Rack Guide - 10 Positions, Deep	2	
6 ++	1922211	Oven Rack - Standard	5	
	1922212	Oven Rack - Deep	5	
7	1765212	Oven Rack Clip	8	
10	1623900	Light Bulb - 40W	2	
11	1025900	Light Socket Gasket	2	
12	1025800	Lamp Socket - Porcelain	2	
13	1676901	Glass, High Temp	1	
14	1921801	Cover, Light Box	1	
15	1921902	Light Box	1	
16	1928299	Plate, Light Box Patch - Porcelain (for no oven lights option)	1	
20	1802999	Fan Cover	1	
21	CK1782599	Fan Cover Duct, Left	1	
22	CK1782598	Fan Cover Duct, Right	1	
23	8004005	1/4-20 x 3/8" Allen Head Screws	4	
24 ++	1784302	Oven Vent Cap - 60K BTU (Nat/LP)	1	
	1784303	Oven Vent Cap - 80K BTU (Nat)	1	
26 ++	1785998	Fan Duct Restrictor - 60K BTU	1	
	1785996	Fan Duct Restrictor - 80K BTU (Nat)	1	
29	G02904-01P	Blower Inlet Cover	1	
30	G02952-01P	Blower Wheel Assembly Plated	1	
31	1916401	Plate, Motor Pocket Front	1	
32	1915921	Insulation - Motor Pocket	1	
33	1916402	Motor Pocket Back	1	
34	CK1916499	Motor Pocket Assembly	1	
35	1686711	Motor 3/4 HP, 115V, 2 Speed	1	
	1686712	Motor 3/4 HP, 208/240V, 2 Speed	1	
36	CK1003090	Motor Assembly - 2 Speed - 115V	1	C
	CK1003091	Motor Assembly - 2 Speed - 208/240 V	1	C
37 ++	1783901	Fire Plate - Standard depth	1	
	1783902	Fire Plate - Deep depth	1	
38* ++	113361	Convection Oven Insulation Kit - Standard	1	
	113364	Convection Oven Insulation Kit - Deep Size	1	

* NOT ILLUSTRATED

RECOMMENDED STOCK PARTS

++ Deep Depth and 80K BTU Options for SUMG were available UP TO June/2012.

SUMMIT 20 MANUAL CONTROL PANEL & COMPONENTS



U.S. RANGE PARTS IDENTIFICATION

Summit Gas Convection Oven

models SUMG-100/200

SUMMIT 20 MANUAL CONTROL PANEL & COMPONENTS

ITEM	PART #	DESCRIPTION	QTY	DATE		CRITICAL
				FROM	UP TO	
1	1918501	Cover - Upper Control Panel, SS	1			
2	GF297	#10-24 x 1/2" Slotted Thumb Screw / Knurled Screw	1			
3	1835905	Overlay - Top Control Pane, Gas	1			
4	CK1946690	Control Panel Mechanical	1			
5	1908527	Overlay - Manual Control, Summit 20 Series	1			
6	1955402	Rocker Switch - 2 Positions, Hi/Low	1			C
7	1955401	Rocker Switch - 3 Positions, Cook/Off/CoolDown	1			C
8	1955403	Momentary Rocker Switch	1			C
9	1006489	120V, Green Pilot Light	1		14-MAR/03	
	1936101	120V, Indicator Lamp - Green, for 115V-Unit	1	14-MAR/03		
	G01296-3	240V, Green Pilot Light	1		14-MAR/03	
	1936102	240V, Indicator Lamp - Green for 208/240V-Unit	1	14-MAR/03		
10	1270000	Amber Pilot Light, 28V	1		14-MAR/03	
	1936103	Indicator Lamp - Amber 28V	1	14-MAR/03		
11	1765802	Fluted Knob with two Set Screws	2			
12	1956001	Timer - 1 Hour, with Alarm, 50/60Hz, 115V	1			C
	1956002	Timer - 1 Hour, with Alarm, 50/60Hz, 240V	1			C
13	300867	Power Control Board - 150-500 deg F Note: Related Bulletin GAR-03-12-AIC. Ref: 1955501.	1			C
14	1955601	Potentiometer	1			C
15	1955701	Nylon Standoff - 1/4 x 1/2 x 1	2			
16	1955801	Teflon Washer - 7/16 OD	2			
17	8001502	Nut with Lockwasher - 6-32 KEP, Zinc	2			
18	4521585	DSI Ignition Module	1	7-SEP/07		C
18A*	CK02-008	IPI Kit (Not DSI) Ignition Module (Ref:1815001, 1935601) Note: Use this Kit for any unit built UP TO 7-Sep/2007.	1		7-SEP/07 (see Note)	C
19	4522605	Bracket - DSI Ignition Module	1	7-SEP/07		
20	1666300	1/4 Spade To Rajh Type Adaptor	1			
21	1269899	Transformer, Class 2, 120V to 24VAC w/Insulated Slipon Terminal	1			C
	1636000	Transformer - Primary 208/240V - Secondary 24V	1			C
22	4519862	Bracket - Wireway Hi Limit	1			
23	1955101	Switch - Thermal Disc, Cooling	1			C
24	1918201	Polar Fan 115V, 120mm	1		9-SEP/99	C
	1671100	Polar Fan 115V Note: For Fan Installation, see Bulletin B-97-2009-S.	1	9-SEP/99		C
	1918202	Polar Fan 230V	1		9-SEP/99	
	1671101	Cooling Fan 120mm 230V Note: For Fan Installation, see Bulletin B-97-2009-S.	1	9-SEP/99		C
25	1906003	Cable Assembly - Probe Extension (Use Only With 1906002)	1			C
26	1906002	Probe - RTD, Flange Mount (Use Only With 1906003)	1			C
29	4528498	Bracket - Ignition Control (8-5/8" x 14-5/16")	1			
30	1911301	Relay Bracket Slide	2			
31	1918001	Air Exhaust Duct - Standard Depth	1			
	1918002	Air Exhaust Duct - Deep Depth	1			
32	1918902	Bracket - Upper Control Panel Mounting	1			
33	1926001	Panel - Right Side, Mid	1			
34	1028402	Ground Lug (208/240V)	1			

* NOT ILLUSTRATED

RECOMMENDED STOCK PARTS

U.S. RANGE PARTS IDENTIFICATION

Summit Gas Convection Oven

models **SUMG-100/200**

SUMMIT 20 MANUAL CONTROL PANEL & COMPONENTS

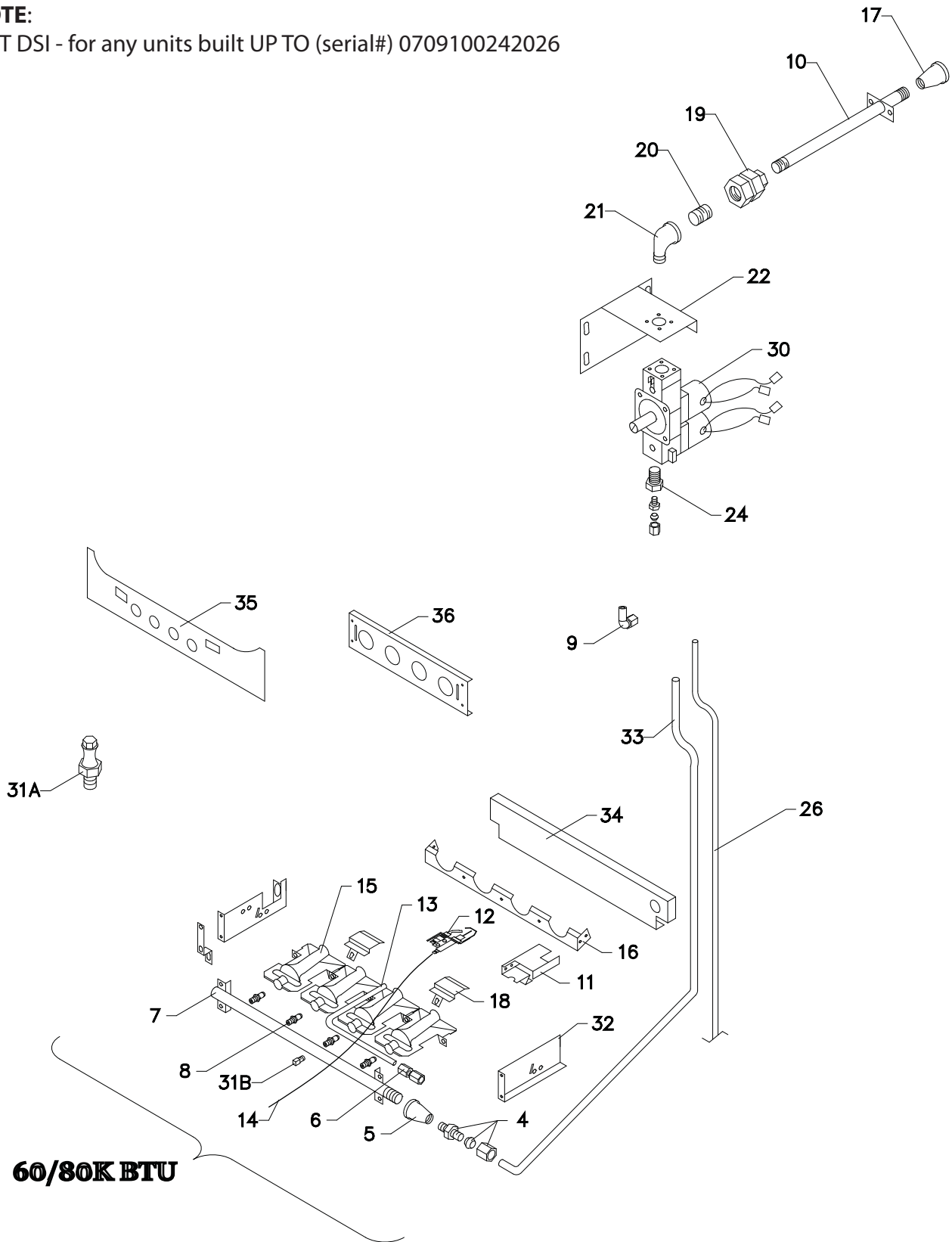
ITEM	PART #	DESCRIPTION	QTY	DATE		CRITICAL
				FROM	UP TO	
40*	1949599	Wire Harness - 115V 60HZ Gas	1			
	1949598	Wire Harness - 208/240V 60Hz Gas	1			
41*	1949576	Wire Harness - Mechanical Control Panel (was 1949577)	1			
42*	1949579	Wire Harness - Lights	1			
43*	1936095	Wire Harness - Ignition Module (IPI/DSI)	1			
44*	1949595	Wire Harness - Pilot Ignition	1	2-JUL/01	26-MAR/03	
	1949593	Wire Harness - Pilot Ignition (Used FROM 26-Mar/03. In older models)	1			
50*	1949511	Wiring Diagram - 115V 60Hz, Gas, Mechanical Control	1			
	1949512	Wiring Diagram - 208/240V, Gas, Mechanical Control	1			
Note: Diagram part#s listed For Reference Only. Please contact Technical Service for assistance.						

* NOT ILLUSTRATED

RECOMMENDED STOCK PARTS

Blank Page

NOTE:
 NOT DSI - for any units built UP TO (serial#) 0709100242026



Burner Section

U.S. RANGE PARTS IDENTIFICATION

Summit Gas Convection Oven

models SUMG-100/200

BURNER SECTION COMPONENTS

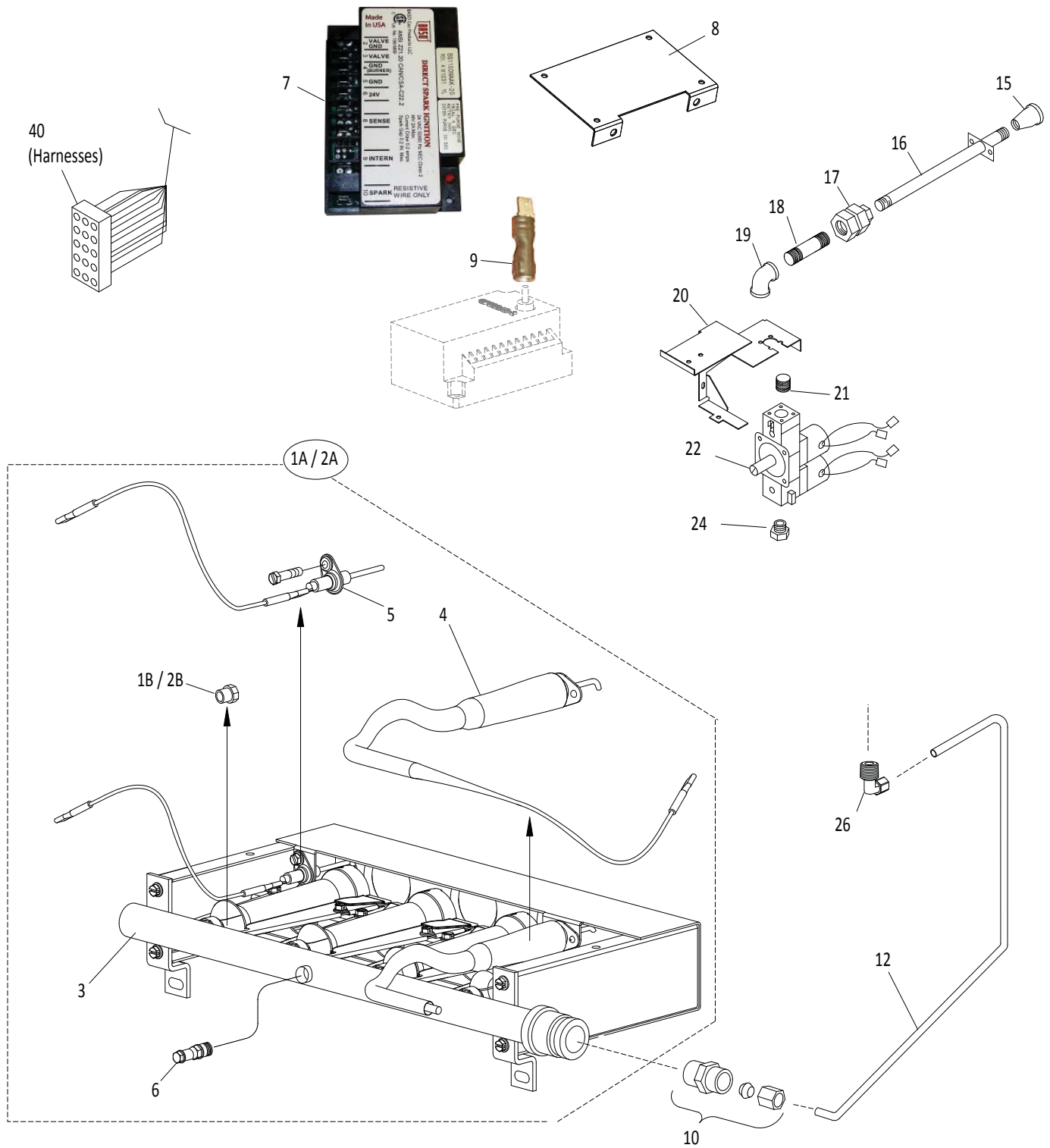
(NOT DSI - FOR UNITS BUILT UP TO SERIAL# 0709100242026)

ITEM	PART #	DESCRIPTION	QTY	DATE		CRITICAL
				FROM	UP TO	
4	1095499	Straight Connector Assembly 3/8X7/16 CC	2		26-MAR-03	
			1	26-MAR-03		
5	1004845	Reducer Coupling 1/2 X 3/8	1			
6	1811101	Coupling 1/4 CC X 1/4 CC				
7	1916101	Manifold	1	NLA	NLA	
8	1804350	#50 - Natural Orifice	4			
	1804356	#56 - LPropane Orifice	4			
	1804348	Natural Orifice (.078")	4			
9	1027499	Male Connector Assy 3/8 X 7/16	1	26-MAR-03		
10	1916199	Tailpipe - Std	1			
	1916198	Tailpipe - Deep	1			
11	1926601	Bracket - Pilot Mount	1			
12	1814901	Honeywell Pilot Nat (60 & 80K) Use CK1935802 and Bracket 1926601 (item# 11)	1		21-MAR-03	C
	CK1935802	Pilot Natural Type "B" Mount	1	21-MAR-03		C
	1814902	Honeywell Pilot LP Use 1935801 and Bracket 1926601 (item# 11)	1		21-MAR-03	C
	1935801	Pilot Assembly, Propane .018 Bell	1	21-MAR-03		
13	1949201	Tubing - Pilot	1			
14	1815002	Hi Tension Ignition Wire Use 4523600	1		26-MAR-03	
	4523600	Hi Tension Ignition Wire	1			
15*	1803501	Inshot Burner	4		19-DEC-02	
	4515130	Inshot Burner Assembly	4	19-DEC-02		
16	1926201	Support - Burner Rest	1	NLA	NLA	
17	1004849	Bell Reducer 3/4 To 1/2	1			
18	1847602	Carry Over Bracket	2			
19	1026903	Union 1/2 Npt - Raw	1			
20	14323	0.5NPT Close Nipple (was 1004640)	1		18-FEB-02	
	14332	Nipple - 1/2" NPT x 3", Black (was 1004644)	1	18-FEB-02		
21	05249	1/2 Npt Street Elbow 90 Deg (was 1026733)	1			
22	CK1918999	Bracket - Gas Valve Mount	1			
24	02558	Hex Seal Bushing 1/2 X 3/8 (was 1038401)	1			
26	1949202	Tubing - Valve To Pilot				
30	1935701	Valve-Gas, Dual W/Shut 4"WC (60 & 80K), NAT	1			C
	1935702	Valve Gas, Dual W/Shut 10"WC, LP	1			C
31A	02251-1	Pressure Test Spigot	1			
31B	2303400	1/8 Steel Pipe Plug	1		09-SEP-01	
32	1916001	Bracket - Burner Mount	2	NLA	NLA	
33	1934308	Tubing-Gas Valve-Manifold	1	26-MAR-03		
34	1919601	Cover - Burner Box Back	1			
35	1915401	Cover - Burner Box Front	1			
36	4520002	Adapter Bracket Inshot Burner	1	11-APR-05		

* NOT ILLUSTRATED

RECOMMENDED STOCK PARTS

NLA = No Longer Available



NOTE:
NOT DSI - for any units built FROM (serial#) 0709100242026

U.S. RANGE PARTS IDENTIFICATION
Summit Gas Convection Oven models SUMG-100/200

BURNER PACKAGE & COMPONENTS
(DSI - FOR UNITS BUILT FROM SERIAL# 0709100242026)

ITEM	PART #	DESCRIPTION	QTY	CRITICAL
NOTE: 1A and 1B Used UP TO 31-May-2012.				
1A ⁺⁺	4521462	Burner Pack - DSI MCO 60K Natural	1	
	CK4521468	Burner Pack Converted - DSI MCO 80K Natural	1	
	CK4521464	Burner Pack Converted - DSI MCO 60K Propane	1	
1B ⁺⁺	4521466-04	Orifice, DSI MCO 80K Natural #47 Note: Use with Burner Pack 4521468.	4	
	4521466-01	Orifice, DSI MCO 60K Propane #56 Note: Use with Burner Pack 4521464.	4	
NOTE: 2A and 2B Used FROM 1-June-2012.				
2A	CK113801	Brner Pack Asm - DSI, Converted Natural , Above Sea-Level: 0 - 2999 Ft	1	
	CK113802	Brner Pack Asm - DSI, Converted Natural , Above Sea-Level: 3000 - 6999 Ft	1	
	CK113803	Brner Pack Asm - DSI, Converted Natural , Above Sea-Level: 7000 - 9999 Ft	1	
	CK113804	Brner Pack Asm - DSI, Converted Propane , Above Sea-Level: 0 - 1999 Ft	1	
	CK113805	Brner Pack Asm - DSI, Converted Propane , Above Sea-Level: 2000 - 2999 Ft	1	
	CK113806	Brner Pack Asm - DSI, Converted Propane , Above Sea-Level: 3000 - 4999 Ft	1	
	CK113807	Brner Pack Asm - DSI, Converted Propane , Above Sea-Level: 5000 - 6999 Ft	1	
2B	4521466-05	Orifice - DSI, #51, Natural , Above Sea-Level: 0 - 2999 Ft	4	
	4521466-52	Orifice - DSI, #52, Natural , Above Sea-Level: 3000 - 6999 Ft	4	
	4521466-53	Orifice - DSI, #53, Natural , Above Sea-Level: 7000 - 9999 Ft	4	
	4521466-57	Orifice - DSI, #57, Propane , Above Sea-Level: 0 - 1999 Ft	4	
	4521466-58	Orifice - DSI, #58, Propane , Above Sea-Level: 2000 - 2999 Ft	4	
	4521466-09	Orifice - DSI, #59, Propane , Above Sea-Level: 3000 - 4999 Ft	4	
	4521466-60	Orifice - DSI, #60, Propane , Above Sea-Level: 5000 - 6999 Ft	4	
3	1916101	Manifold Pipe	1	
4	4523414	Ignitor - DSI Burner Pack	1	C
5	4523415	Flame Sensor - DSI Burner Pack	1	C
6	02251-1	Pressure Test Spigot	1	
7	4521585	DSI Ignition Module	1	C
8	4522605	Bracket - DSI Ignition Module	1	
9	1666300	1/4 Spade To Rajh Type Adaptor	1	
10	1095499	Straight Connector Assembly - 3/8 NPT x 7/16 CC (Includes Nut & Ferrule)	1	
12	1934308	Tubing - Gas Valve to Manifold	1	
15	1004849	Bell Reducer - 3/4 to 1/2 NPT	1	
16 ⁺⁺	1916199	Tailpipe - Standard	1	
	1916198	Tailpipe - Deep	1	
17	21302	Union - 1/2" NPT, Black	1	
18	14332	Nipple - 1/2" NPT x 3", Black	1	
19	05249	1/2" NPT x 90 Degree Elbow	1	
20	CK1918999	Bracket, Gas Valve Mount	1	
21	14323	Close Nipple - 1/2" NPT x 1" Long	1	
22	1935701	Gas Valve - Natural Gas, Dual w/ Shut 4"	1	C
	1935702	Gas Valve - Propane Gas, Dual w/ Shut 10"	1	C
24	02558	Hex Bushing 1/2 x 3/8 NPT Black	1	
26	1027499	90 deg. Male Connector Assembly 7/16 CC x 3/8 NPT (includes a 7/16 CC Nut and a 7/16 CC Ferrule)	1	
40*	1936095	Wire Harness - Ignition Module (IPI/DSI)	1	

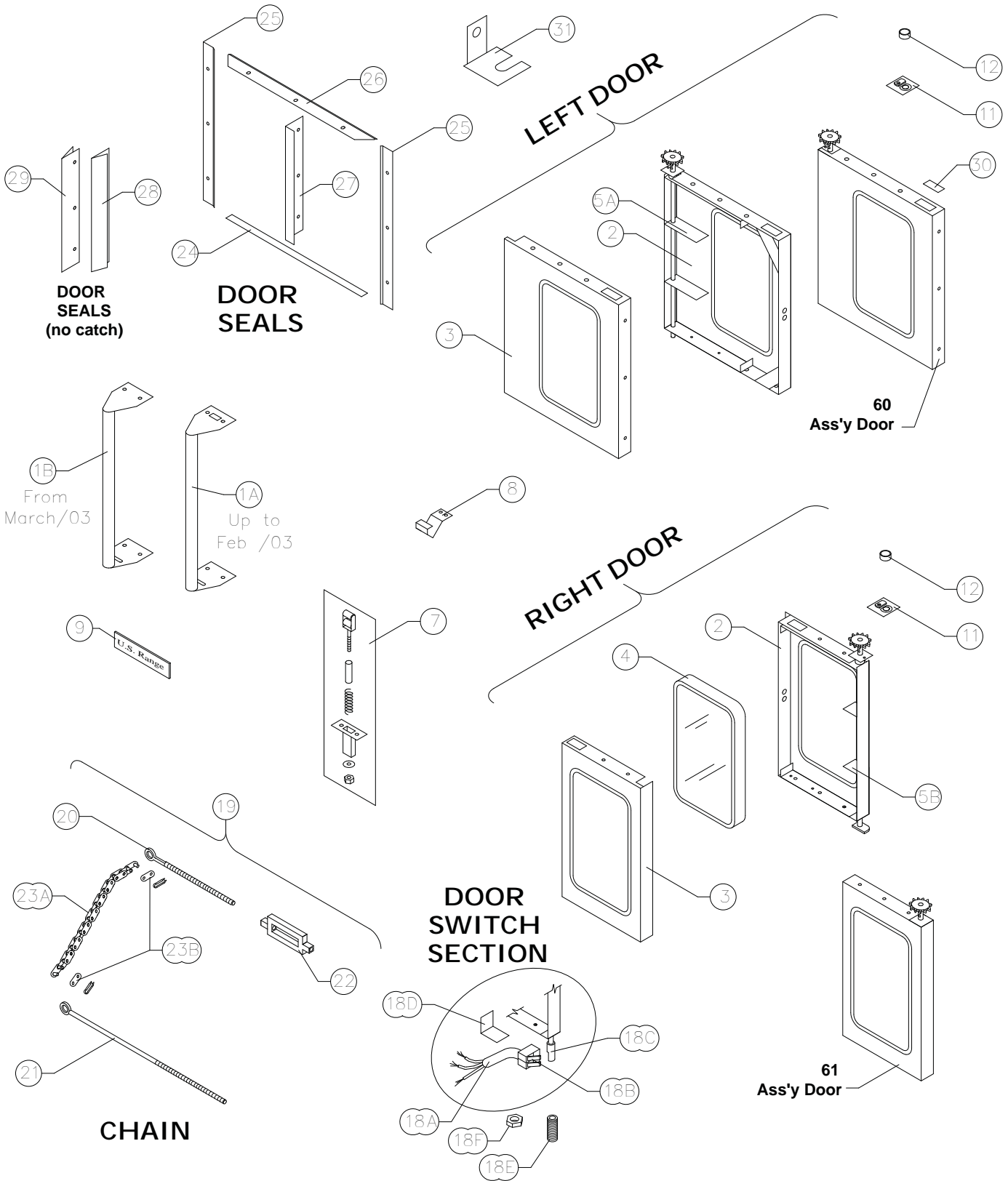
* NOT ILLUSTRATED

RECOMMENDED STOCK PARTS

⁺⁺ Deep Depth and 80K BTU Options for SUMG were available UP TO June/2012.

DOOR COMPONENTS & ASSEMBLIES

(for units manufactured UP TO 14-April-2005)



Door Assemblies

U.S. RANGE PARTS IDENTIFICATION

Summit Gas Convection Oven

models SUMG-100/200

DOOR COMPONENTS & ASSEMBLIES

(for units manufactured UP TO 14-APRIL-2005)

ITEM	PART #	DESCRIPTION	QTY	FROM DATE	UP TO DATE	CRITICAL
1A	CK1924395	Door Handle - Black	1		FEB-03	
1B	CK1924396	Door Handle - Black	1	MAR-03		
2	CK1923997	Panel - Left Door Liner Window	1			
	CK1923996	Panel - Left Door Liner Solid	1			
	CK1923998	Panel - Right Door Liner Solid	1			
	CK1923999	Panel - Right Door Liner Window	1			
3	1924001	Panel - Left Door Solid	1			
	1924002	Panel - Left Door Window	1			
	1924003	Panel - Right Door Solid	1			
	1924004	Panel - Right Door Window	1			
4	1010999	Oven Door Window (3/16" Glass)	1			
5A	1923899	Frame W/A - Left Door	1		14-APR-05	
5B	1923898	Frame W/A - Right Door	1		14-APR-05	
7	CK1757998	Latch Bench Ass'y	1	AUG-95	JAN-03	
8	1925005	Bracket - Door Latch	1			
9	3077102	7-5/8" U.S. Range Nameplate	1			
11	1923499	Plate - Door Bushing	2		14-APR-05	
12	1923201	Spacer - Door Hinge	2			
18A	1949575	Wire Harness - Mechanical Door Switches (IM200)	1			
18B	4519715	Micro Switch Hi Temp - Hi Current (IM200)	2			C
18C	1925101	Cam - Door Switch	1			
18D	1925001	Bracket Door Switch Right	1			
18E	8003802	Set Screw 10x24x3/8"	2			
18F	8001203	Nut Hex Stl 8-32	2			
18G*	8001502	Nut w/Washer 6-32 ksp	2			
18H*	8003208	MSCR-PH-6 32x32 ST ZP	2			
19	4520166	Door Chain Assembly Note: Includes items 20, 21, 22, 23A, 23B.	1			
20	1014201	Connecting Door Rod - Short (Not sold separately)	2			
21	1014200	Connecting Door Rod - Long (Not sold separately)	2			
22	1015000	Turnbuckle 1/4-20 w/4" Take Up	2			
23A	1021100	Roller Chain #40	2			
23B	1021299	Connecting Link #40	4			

* NOT ILLUSTRATED

RECOMMENDED STOCK PARTS

U.S. RANGE PARTS IDENTIFICATION

Summit Gas Convection Oven

models **SUMG-100/200**

DOOR COMPONENTS & ASSEMBLIES

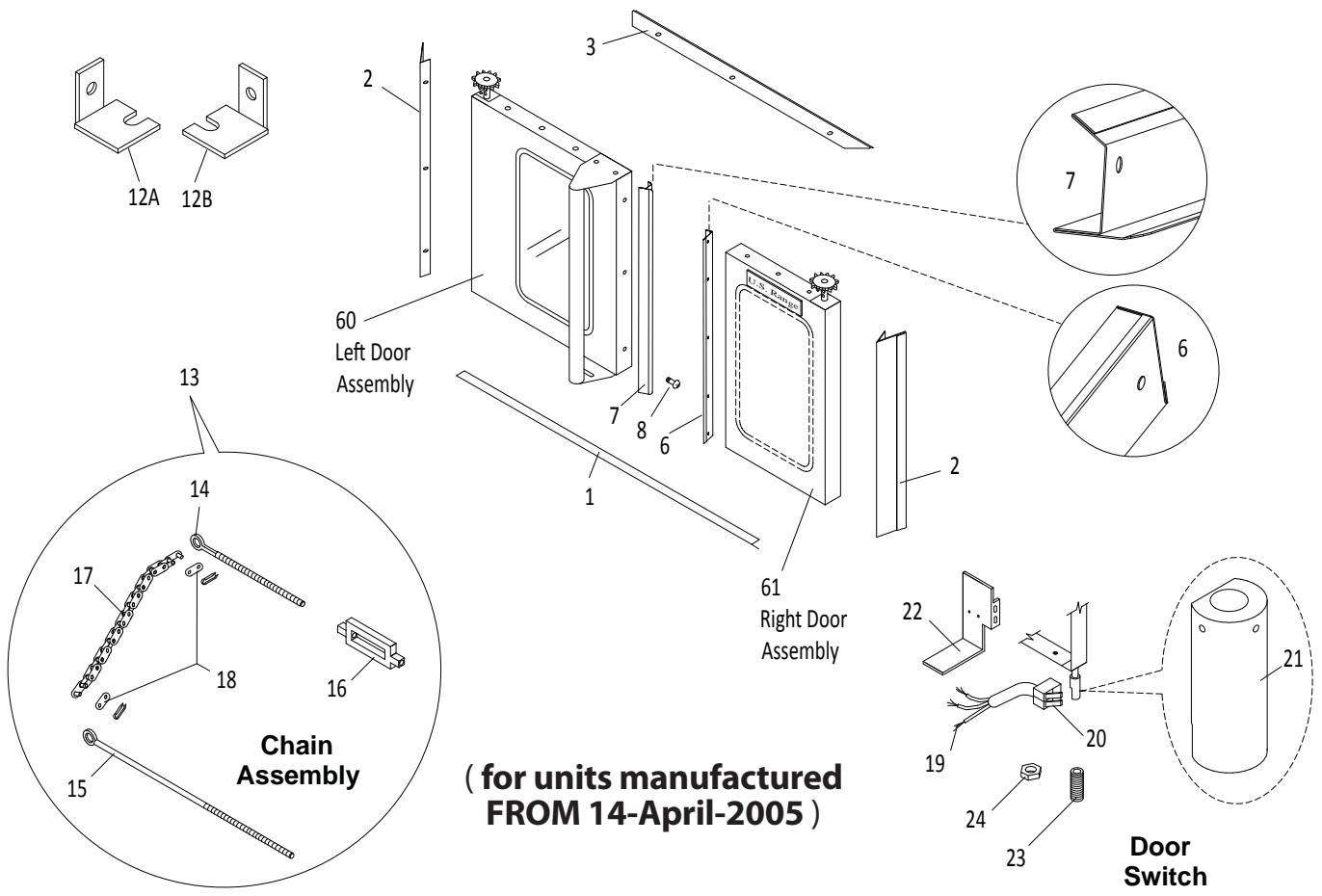
(for units manufactured UP TO 14-APRIL-2005)

ITEM	PART #	DESCRIPTION	QTY	FROM DATE	UP TO DATE	CRITICAL
24	1924712	Seal - Door, Bottom	1			
25	1924601	Seal - Door, Left & Right	2			
26	1924711	Seal - Door Top	1			
27	1924402	Seal - Door, Center (old style) Note: Use 1924411 (item 28).	1			
28	1924411	Center Right Seal From serial # 0301CJ0082	1	JAN-03		
29	1924412	Center Left Seal From serial # 0301CJ0082	1	JAN-03		
30	1928209	Plate Door Handle From serial # 0301CJ0082 Note: Item will not be available once stock is out.	1	JAN-03		
31	1925013	Bracket - Door Stop L/H	1	APR-00		
	4519740	Bracket - Door Stop R/H	1	APR-05		
32*	8003603	Carriage Bolt 3/8-16 X 3/4				
34*	1019800	Self Threading Pal Nut				
35*	8001210	Nut Hex 3/8-16 Stl 2P	3			
36*	8000308	Washer - Flat 3/8x3/4 Stl 2P	3			
37*	1915914	Insulation - Left Door, W/Window	1			
	1915915	Insulation - Left Door, Solid	1			
38*	1915916	Insulation Right Door, W/Window	1			
	1915917	Insulation - Right Door, Solid	1			
LEFT DOOR - COMPLETE ASSEMBLIES (includes Left Door Components and the Left Door Center Seal)						
60	CK1924869	Door Kit - Left (WINDOW) Note: Item will not be available once stock is out.				
	CK1924868	Door Kit - Left (SOLID) Note: No Longer Available. ALT CK1924869.				
RIGHT DOOR - COMPLETE ASSEMBLIES (includes Right Door Components and the Right Door Center Seal)						
61	CK1924965	USR Door Kit - Right (WINDOW) Note: Used FROM 01-Jan/2003 UP TO 14-Apr/2005.				
	CK1924964	USR Door Kit - Right (SOLID) Note: Used FROM 01-Jan/2003 UP TO 14-Apr/2005.				

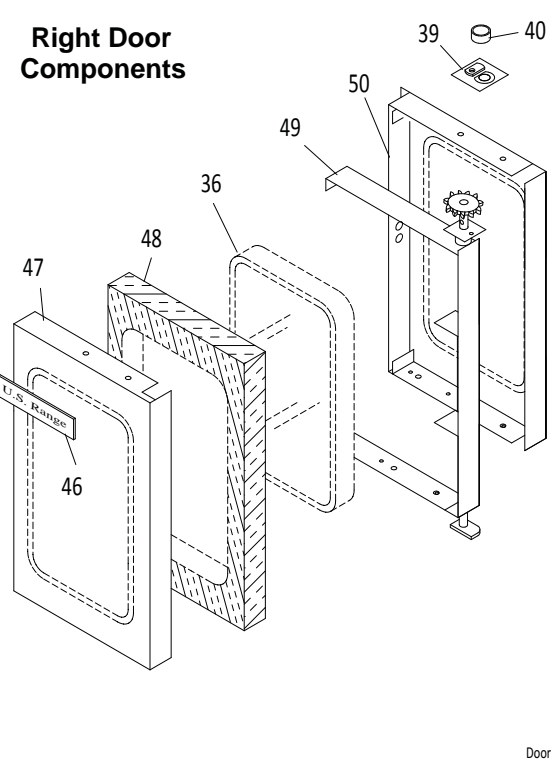
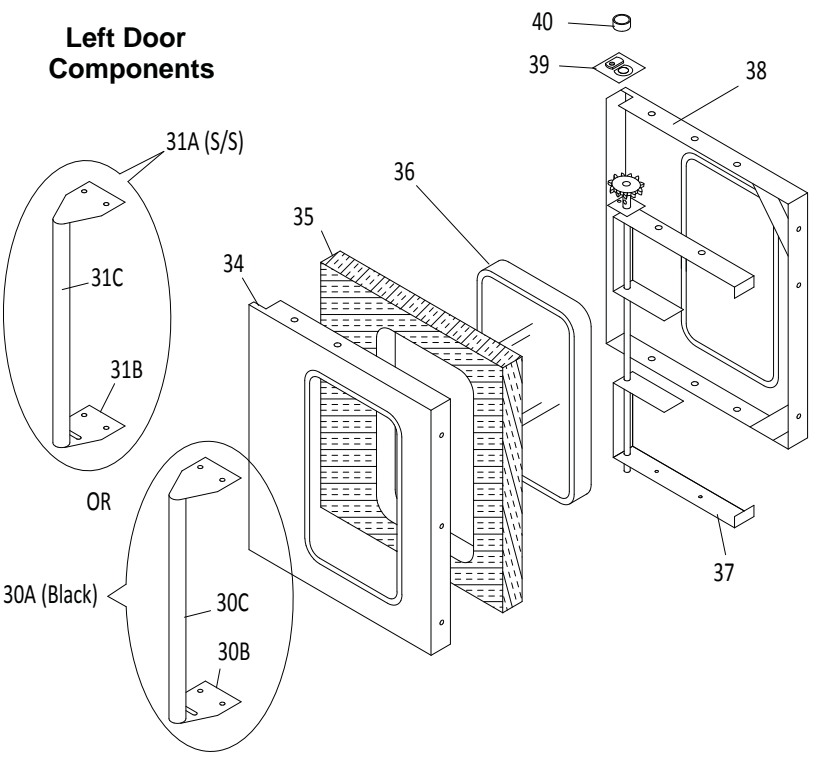
* NOT ILLUSTRATED

RECOMMENDED STOCK PARTS

Blank Page



(for units manufactured FROM 14-April-2005)



Door

U.S. RANGE PARTS IDENTIFICATION

Summit Gas Convection Oven

models SUMG-100/200

DOOR COMPONENTS & ASSEMBLIES

(for units manufactured FROM 14-APRIL-2005)

ITEM	PART #	DESCRIPTION	QUANTITY	CRITICAL
1	1924712	Seal - Door, Bottom (Used FROM Apr/00)	1	
2	1924601	Seal - Door, Left & Right (Used FROM Apr/00)	2	
3	1924711	Seal - Door Top (Used FROM Apr/00)	1	
6	1924411	Center - Right Door Seal	1	
7	1924412	Center - Left Door Seal	1	
8	8003123	Mscr - TH - Phil 10-24 x 5/8" Stl ZP (for Center Seals)		
12A	1925013	Bracket - Door Stop L/H (Used FROM Apr/00)	1	
12B	4519740	Bracket - Door Stop R/H (Used FROM Apr/05)	1	
DOOR CHAIN COMPONENTS (ITEMS 13 - 18)				
13	4520166	Door Chain Assembly Note: Includes Items 14-18.	2	C
14	1014201	Connecting Door Rod - Short Note: Item listed for reference only. Not Sold Separately.	2	
15	1014200	Connecting Door Rod - Long Note: Item listed for reference only. Not Sold Separately.	2	
16	1015000	Turnbuckle 1/4-20 with 4" Take Up	2	
17	1021100	Roller Chain #40	2	
18	1021299	Connecting Link #40	4	
DOOR SWITCH COMPONENTS (ITEMS 19 - 27)				
19	1949575	Wire Harness - Door Micro Switch, Mechanical Control.	1	
20	4519715	Door Micro Switch - High Temp, High Current, Mechanical Controls	2	C
21	1925101	Cam - Door Switch (Used FROM Apr/00)	1	
22	1925001	Bracket Door Switch Right (Used FROM Apr/00)	1	
23	8003802	10-24 x 3/8", Set Screw	2	
24	8001203	8-32 Nut, Hex, Steel	2	
25*	8001502	6-32 KEP Nut w/ Washer, Zinc Plated	2	
26*	8003208	6-32 x 2" Machine Screw, PH, Steel, Zinc Plated	2	
27*	1028800	1" dia. Snap Bushing	4	

* NOT ILLUSTRATED

RECOMMENDED STOCK PARTS

U.S. RANGE PARTS IDENTIFICATION

Summit Gas Convection Oven

models **SUMG-100/200**

DOOR COMPONENTS & ASSEMBLIES

(for units manufactured FROM 14-APRIL-2005)

ITEM	PART #	DESCRIPTION	QUANTITY	CRITICAL
LEFT & RIGHT DOOR COMPONENTS (Window / Solid)				
30A	1924396	Door Handle Assembly - Black Note: <ul style="list-style-type: none"> • Used UP TO June/2012. • COMPLETE Handle Assembly is interchangeable with the S/S version (item 31A). • Includes items 30B, 30C, 30D. 	1	
30B	1924195	Handle Tube, Door	1	
30C	1924206	Plate - Door Handle	2	
30D*	8003605	1/4-20 x 1" Carriage Bolt, Black	2	
31A	113797	Door Handle Assembly - S/S Note: <ul style="list-style-type: none"> • Used FROM June/2012. • COMPLETE Handle Assembly is interchangeable with the black version (item 30A). • Includes items 31B, 31C, 31D. 	1	
31B	113798	Handle Tube (Handle Tube and Connectors)	1	
31C	113800	Plate - Door Handle	2	
31D*	111273	1/4-20 x 3/4" Carriage Bolt, Round Head, Square Neck	2	
34	1924001	Panel - Left Door (Solid)	1	
	1924002	Panel - Left Door (Window)	1	
35	113862	Insulation - Left Door (Window)	2	
	113863	Insulation - Left Door (Solid)	1	
36	1010999	Oven Door Window - 3/16" Glass (Window Option)		
37	4520373	Weld Assembly Frame Left Door Extended Bearing Plate (Used FROM 14-Apr/05)	1	
38	CK1923997	Panel - Left Door Liner (Window)	1	
	CK1923996	Panel - Left Door Liner (Solid)	1	
39	4520301	Plate - Door Bushing Extended (Used FROM 14-Apr/05)	2	
40	1923201	Spacer - Door Hinge	2	
46	3077102	7-5/8" U.S. Range Nameplate	1	
47	1924003	Panel - Right Door (Solid)	1	
	1924004	Panel - Right Door (Window)	1	
48	113864	Insulation Right Door (Window)	1	
	113865	Insulation - Right Door (Solid)	1	
49	4520374	Weld Assembly Frame Right Door Extended Bearing Plate (Used FROM 14-Apr/05)	1	
50	1923998	Panel - Right Door Liner (Solid)	1	
	1923999	Panel - Right Door Liner (Window)	1	

* NOT ILLUSTRATED

RECOMMENDED STOCK PARTS

U.S. RANGE PARTS IDENTIFICATION

Summit Gas Convection Oven

models SUMG-100/200

DOOR COMPONENTS & ASSEMBLIES

(for units manufactured FROM 14-APRIL-2005)

ITEM	PART #	DESCRIPTION
LEFT DOOR - COMPLETE ASSEMBLIES (includes Left Door Components and the Left Door Center Seal)		
60	4520318	USR Complete Door Kit - Left (WINDOW), BLACK Handle
	4520320	USR Complete Door Kit - Left (SOLID), BLACK Handle
RIGHT DOOR - COMPLETE ASSEMBLIES (includes Right Door Components and the Right Door Center Seal)		
61	4520321	USR Door Assembly, Right (Solid)
	4520319	USR Door Assembly, Right (Window)

* NOT ILLUSTRATED

RECOMMENDED STOCK PARTS

U.S. RANGE PARTS IDENTIFICATION
Summit Gas Convection Ovens
models SUMG-100/200

LIST OF WIRING DIAGRAMS & AVAILABLE KITS

WIRING DIAGRAMS

(For Reference Only - Contact Technical Service Department for assistance)

PART #	DESCRIPTION
1949511	SUMG 115V 60Hz Gas Mechanical Control
1949512	SUMG 208/240V Gas Mechanical Control

GAS CONVERSION KITS

(Contact Parts Department for assistance)

PART #	DESCRIPTION
4526640-2	Gas Conversion Kit for 60,000 BTU/HR Natural Gas Final Configuration (Ref: 113412)
4526640-3	Gas Conversion Kit for 80,000 BTU/HR Natural Gas Final Configuration (Ref: 113413)
4526640-1	Gas Conversion Kit for 60,000 BTU/HR Propane Gas Final Configuration (Ref: 113414)

SINGLE & DOUBLE DECK KITS (OPEN BASE, LEGS & CASTERS)

(For Reference Only - Contact Sales Department for assistance)

PART #	DESCRIPTION
1951213	Single Deck S/S Open Base & Feet Kit
1951214	Single Deck S/S Open Base & Casters
1951204	Single Deck S/S Legs & Feet Inserts
1951205	Single Deck S/S Legs and Casters
1951209	Kit MCO - Heavy Duty Casters
1951210	Kit MCO - LO-Profile Casters
1951223	Double Deck Gas W/Inserts S/S Legs
1951226	Double Deck Gas W/Casters
1951228	Double Deck Gas W/Lo Profile Casters

VENTILATION KITS

(For Reference Only - Contact Sales Department for assistance)

PART #	DESCRIPTION
1951217	Direct Connect Venting Kit
1951229	S/S Canopy Diverter for MCO, SGM & SUMG

U.S. RANGE PARTS IDENTIFICATION

RELATED BULLETINS

BULLETIN #	SUBJECT	DATE
B-97-2009-S	New Axial Cooling Fan Install Instructions	SEP 17 /2009
GAR-03-12-AIC	Master 200 Series Controller P/N 1955501	FEB 8 / 2012
BI-06-2012-P	Controllers (Digital Controller Replacement Kits)	FEB 22 / 2012

REVISION HISTORY (SUMG)

REV#	PAGE#**	ITEM#**	NOTES	DATE
0			New Parts List book released.	NOV 21/03
1	17,18,19		Rearranged some part#s.	FEB 06/04
2	4,5	13,14	New P/N	NOV 21/05
	13	22	4519715 replaced 1955001	
		35B	New P/N	
		43B		
	14	64	4520166 replaced CK1138	
	16,17,18		New pages for new door design.	
	21	11	Added name plate.	
		22	4519715 replaced 1955001	
35B,64		Added P/N		
22,23		Prison Doors		
3	10,11	36	Added P/N	DEC 20/05
4			Removed prison package door pages. Removed digital photos.	JUN 29/12
	5		Added rating plate locatio, model and serial# info	
	7		Removed - Painted exterior parts, NLA:1920202, 1918702, 1918802, 1921002, 1921004. Removed - Prison parts Removed - snap bushing 1028803; label 1739401 Added footer - Deep depth option OBS	
	926	37,38	Added fire plate 1783902	
			Added insulation kits 113361, 113364. Added footer - Deep depth and 80K BTU options OBS	
			Removed non-field replaceable parts. Added footer - Deep depth and 80K BTU options OBS	
	11	18,13	New ignition module, power control board.	
			Removed 1804726, 1842901, 1842902, 1933406, 1911301, 1910901	
	15		Included UP TO date. To avoid confusion, removed old gas valves 1806501, 1806502	
	16-17		Added DSI pages and From date. Two types of burner packages used, depending on manufactured date of unit. Added footer - Deep depth and 80K BTU options OBS	
	23-25	31	New door handle style - S/S	
60		New door assemblies with S/S handles. Removed prison package components		
26-27		Added list of wiring diagrams and available kis. Added related bulletins.		

** Page#/Item# reference the specific page/item numbers in the corresponding revision only.

 ***U.S. Range***[®]

 ***Manitowoc***