

Item No.

Save On Kitchen Space, Shortening And Labor Costs With The Filter Mate Under Fryer Filter System

Designed to fit under the base system of two 14" GoldenFry™ fryers, the large 100 lb shortening capacity allows this system to be used with 14", and 18" fryers in any combination. Using quick disconnects, the filter is simple to disassemble for cleaning. Filter intake leaves no shortening residue in tank. Easy to identify handles make filtering a simple process. Filter one fryer while cooking in the others. Promotes longer shortening life and a consistent high quality product.

STANDARD FEATURES

- For use with (2) 14" Anets GoldenFry™ fryers (base system). Any combination of 14" and 18" fryers can be added to the base system
- Large 100 lb. shortening capacity
- Easy quick disconnect assembly
- Filter element eliminates clogging when used with special filter paper envelopes
- Filter intake draws shortening from the top and bottom leaving virtually no shortening residue
- Safety interlock shuts off burners to prevent empty frypot from heating
- Can be used as a portable filter (with optional hose assembly)
- Stainless steel open tank is removable for easy cleaning



FM-14 shown with (2) MX-14E fryers



ANETS
GoldenFry™



ANETS'

Anetsberger Brothers, Inc. ■ Quality is just the beginning
180 North Anets Drive ■ Northbrook, Illinois 60062-5452
1-800-837-2638 ■ Fax 847-272-1943 ■ www.anets.us

Anets GoldenFry™ Filter Mate

Model FM-14



SPECIFICATIONS

■ Model	FM-14, Filter Mate
■ Certification	NSE, UL, CUL
■ Electrical Requirements	120V, 60Hz, 1 Ph, 8 Amps
■ Motor	1/3 HP
■ Pump Speed	5 Gallons per minute
■ Casters	2"
■ Filter Tank	Stainless steel
■ Shortening Capacity	100 lbs

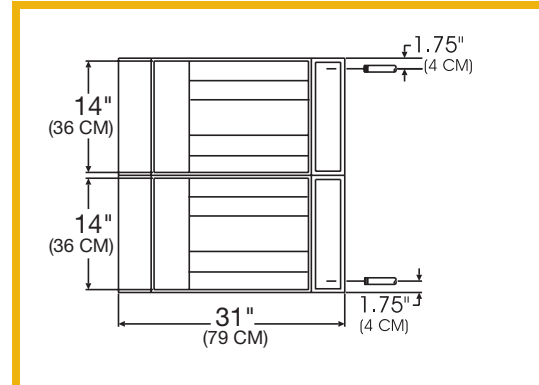
See individual fryer specification sheets for fryer specifications and options

STANDARD ACCESSORIES

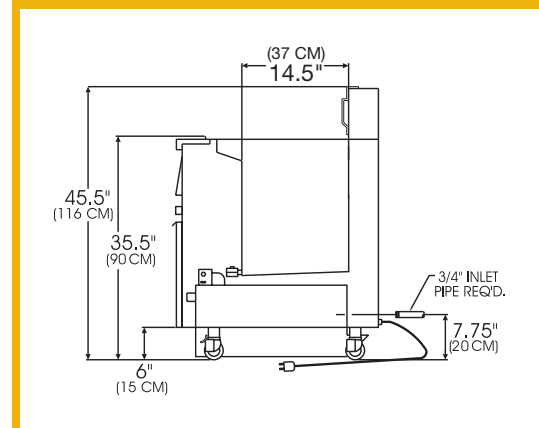
- 100 Envelope filter papers
- Base fryer/filter system comes with 4 adjustable swivel locking casters

OPTIONS AND ACCESSORIES

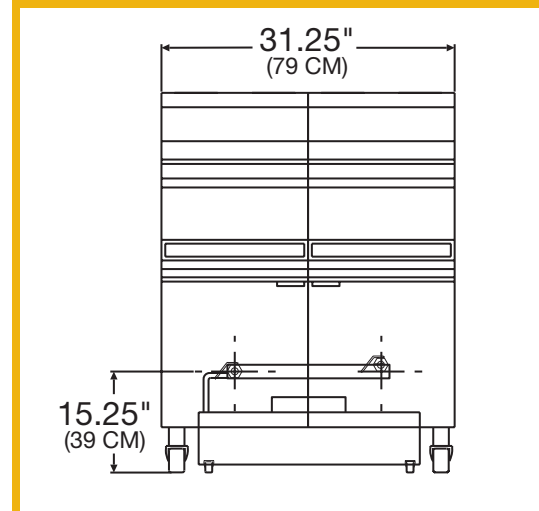
- Hose assembly for shortening disposal and converting filter to portable unit
- Envelope filter paper
- Cleaning brush
- Filter powder



Top View



Side View



Front View

Specifications subject to change without notice.
 SS# 255 Revised 9/08
 Printed in the U.S.A.



Anetsberger Brothers, Inc. ■ Quality is just the beginning
 180 North Anets Drive ■ Northbrook, Illinois 60062-5452
 1-800-837-2638 ■ Fax 847-272-1943 ■ www.anets.us