



Profit from the Eagle Advantage®

# Specification Sheet

## Short Form Specifications

Eagle Extended Undercounter Heater/Proofer Cabinet, model \_\_\_\_\_ . Aluminum interior and exterior, patented TEMP-GARD® air flow design, (insulated/non-insulated) bottom mount control panel and heating system, (solid/Tuffak®) door, adjustable digital temperature control system with digital LCD readout, and adjustable humidity control. High temperature protection with alarm and auto reset. Removable (wire/universal wire) slides on 2¼" standard spacing, full perimeter bumpers, 8' cord and plug, and 3"-diameter heavy duty polymer casters, two with brakes.



extended undercounter proofing cabinet with Tuffak® door

### Options / Accessories\*\*

- Pass-through doors
- Alternate slide spacing (\_\_\_\_\_)
- Alternate voltage

\*\*See spec sheet #EG60.28 for options and accessories.

### EAGLE GROUP

100 Industrial Boulevard, Clayton, DE 19938-8903 USA

Phone: 302-653-3000 • Fax: 302-653-2065

www.eaglegrp.com

Foodservice Division: Phone 800-441-8440

MHC/Retail Display Divisions: Phone 800-637-5100

For custom configuration or fabrication needs, contact our SpecFAB® Division.

Phone: 302-653-3000 • Fax: 302-653-3091 • e-mail: specfab@eaglegrp.com

Item No.: \_\_\_\_\_  
 Project No.: \_\_\_\_\_  
 S.I.S. No.: \_\_\_\_\_

## Panco® Transport Heated/Proofing Cabinets—Undercounter

### MODELS:

- |                                  |                                  |
|----------------------------------|----------------------------------|
| <input type="checkbox"/> EUHPC-A | <input type="checkbox"/> EUHPC-E |
| <input type="checkbox"/> EUHPC-B | <input type="checkbox"/> EUHPC-F |
| <input type="checkbox"/> EUHPC-C | <input type="checkbox"/> EUHPC-G |
| <input type="checkbox"/> EUHPC-D | <input type="checkbox"/> EUHPC-H |

### Design and Construction Features

- For use in operations where hot food is to be stored or transported and held at hot food serving temperatures.
- Ability to hold humidity levels up to four hours without refilling reservoir. Adjustable humidity control.
- Patented TEMP-GARD® air flow design (patent #6,847,013 B2).
- 30½" (775mm) overall height.
- 32½" (826mm) "extended" width\*.
- Standard units feature 120-volt 20-amp electricity\*\*.
- Aluminum construction on exterior and interior.
- Bottom mounted control panel and heating system removes easily for cleaning or servicing.
- 2000-Watt heating capacity via two 1000-watt elements— "Heating mode" uses two 1000-watt elements for heated air, "Proofing mode" uses one 1000-watt element for heated air and one 1000-watt element for humidity control—with internal air temperature up to 200°F. 1500-Watt is optional on 120V only.
- High-temperature protection device with caution alarm and auto reset.
- Full 270° open door swing via ⅝" (5mm)-thick heavy duty aluminum hinges with stainless steel pin.
- Positive closing magnetic door latch.
- Removable slides with 3" (76mm) standard slide spacing.
- Available in both non-insulated and insulated.
- Insulated units feature identifying color stripe on both sides.
- 8' (2438mm) cord and plug provided.
- Full perimeter bumper on all models.
- Heavy duty 3" (76mm) polymer swivel casters, two with brake.

\* Undercounter units are available in "extended" width only.

### Digital Control System on all units

- Easy-touch front control panel with membrane switches.
- Liquid Crystal Display (LCD) read-out.
- Digital setting of air temperature.
- Overheat caution alarm.
- Embedded LED technology.
- Upgrade software control.

Certifications / Approvals

New York M.E.A. 245-02-E

EG60.27C Rev. 02/10

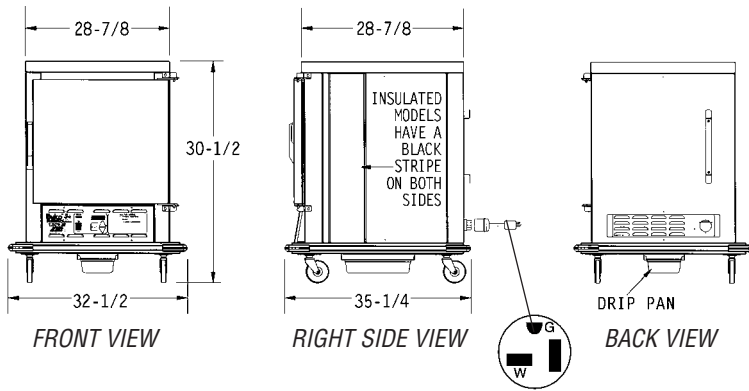
Spec sheets available for viewing, printing or downloading from our online literature library at [www.eaglegrp.com](http://www.eaglegrp.com)

Eagle Foodservice Equipment, Eagle MHC, SpecFAB®, and Retail Display are divisions of Eagle Group. ©2010 by the Eagle Group



Item No.: \_\_\_\_\_  
 Project No.: \_\_\_\_\_  
 S.I.S. No.: \_\_\_\_\_

# Panco® Transport Heated/Proofing Cabinets— Extended Undercounter

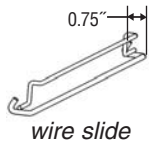


(See spec sheet #EG60.28 for plug configurations of units with other voltage.)

## Maximum Pan Capacities of Extended Undercounter Units

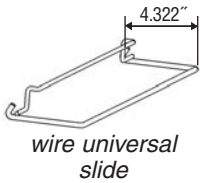
Based on standard slide spacings of 3" (76mm).  
 For information about standard number of slides that come with units, see chart below.  
 For information about replacement slides available, see spec sheet #EG60.28.

Cabinet Width	Slide Type	18" x 26" sheet pans	13" x 18" sheet pans	12" x 20" food pans
Extended	Wire	n/a	n/a	10
Extended	Wire Univ'l	5	10	10



**Units with Wire Slides** – Comes with 5 pairs of slides.  
 Max pan capacities: (10) 12" x 20" x 2½" food pans.

Non-Insulated		Insulated	door style	width x depth x height		weight	
model #	model #	model #		in.	mm	lbs.	kg
<i>EUHPC-A</i>	<i>EUHPC-B</i>	<i>EUHPC-C</i>	solid single door	31" x 33½" x 30½"	810 x 841 x 775	155	70.3
		<i>EUHPC-D</i>	Tuffak® single door	31" x 33½" x 30½"	810 x 841 x 775	171	77.6



**Units with Wire Universal Slides** – Comes with 5 pairs of slides.  
 Max pan capacities: (5) 18" x 26" sheet pans, (10) 13" x 18" sheet pans, or (10) 12" x 20" x 2½" food pans.

Non-Insulated		Insulated	door style	width x depth x height		weight	
model #	model #	model #		in.	mm	lbs.	kg
<i>EUHPC-E</i>	<i>EUHPC-F</i>	<i>EUHPC-G</i>	solid single door	31" x 33½" x 30½"	810 x 841 x 775	155	70.3
		<i>EUHPC-H</i>	Tuffak® single door	31" x 33½" x 30½"	810 x 841 x 775	171	77.6

**EAGLE GROUP**  
 100 Industrial Boulevard, Clayton, DE 19938-8903 USA  
 Phone: 302-653-3000 • Fax: 302-653-2065  
 www.eaglegrp.com

Foodservice Division: Phone 800-441-8440  
 MHC/Retail Display Divisions: Phone 800-637-5100

Printed in U.S.A.  
 ©2010 by Eagle Group  
 Rev. 02/10

Spec sheets available for viewing, printing or downloading from our online literature library at [www.eaglegrp.com](http://www.eaglegrp.com)

Although every attempt has been made to ensure the accuracy of the information provided, we cannot be held responsible for typographical or printing errors. Information and specifications are subject to change without notice. Please confirm at time of order.