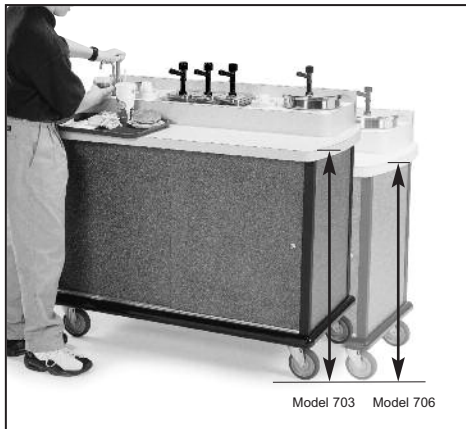


Item # _____

Quantity _____

CONDI EXPRESS™

Stainless Steel With Laminate Top And Exterior



Two heights available.

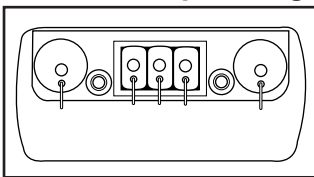
Instantly creates a complete, mobile condiment station.

- Provides an attractive self-service condiment dispensing alternative that complements your take away service. Rolls to any location where you need it.
- Utilizes convenient pump dispensers. Self-leveling dispensers for disposable condiment cups are available. Dispensers are housed in recesses to hold them securely and neatly in place.
- Three quart dispenser containers recess into an internal ice bin for condiment cooling.
- Two serving heights are available - 36 1/2" and 31" to counter top. The wide counter provides a handy space for customer convenience.
- Sliding doors provide easy access to the interior storage space. Doors are located on the serving side for quick access when placed against a wall.
- Cart is sized for maneuvering into elevators, down corridors and into serving areas. Easy to maneuver with four tough-duty 5" casters - 2 swivel with brakes, two fixed.
- Stainless steel interior is easy to clean and sanitize.
- Solid laminate top is durable and easy to clean.
- Attractive Designer Series and solid color cabinet finishes are available. Standard color light gray countertop laminates coordinate with cabinet laminate finishes.

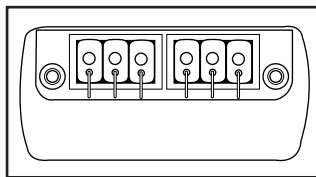
Spec. # _____

AIA # _____

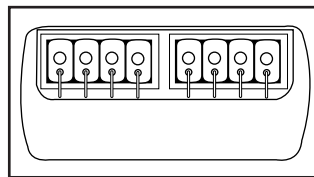
Available Top Configurations*



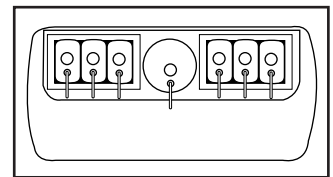
Top 1 (shown above)
Includes 2 ea. 7 qt. Round Condiment Dispensers, 3 ea. 3 qt. Rectangular Condiment Dispensers and 2 ea. disposable cup dispensers.



Top 2
Includes 6 ea. 3 qt. Rectangular Condiment Dispensers and 2 ea. disposable cup dispensers.



Top 3
Includes 8 ea. 3 qt. Rectangular Condiment Dispensers.



Top 4
Includes 1 ea. 7 qt. Round Condiment Dispenser, 6 ea. 3 qt. Rectangular Condiment Dispensers.

*Custom configurations also available.



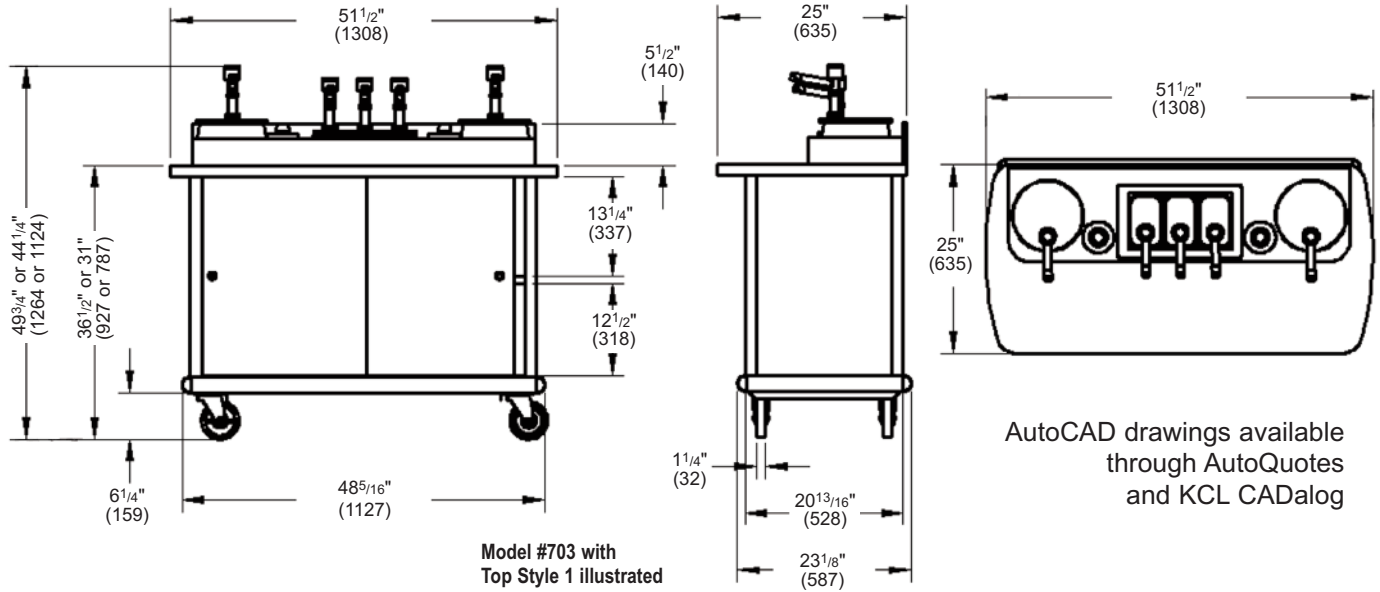
Lakeside Manufacturing, Inc.

4900 West Electric Avenue • West Milwaukee, WI 53219 U.S.A.

800-558-8565 • 414-902-6400 • Fax 414-902-6446 • www.eLakeside.com

CONDI EXPRESS™

Stainless Steel With Laminate Top And Exterior



AutoCAD drawings available through AutoQuotes and KCL CADalog

Dimensions:

Model	Top Description	Interior Shelf Description			Overall Size			Case Weight		Unit Weight	
		Size	Clearance		W	L	H	Lbs.	(Kg)	Lbs.	(Kg.)
703	25" x 51 1/2" (635 x 1308)	Top	20 7/8" x 48 2/3" (528 x 1227)	13 1/4" (337)	25"	51 1/2"	49 3/4"	320	(145)	230	(104)
		Bottom	20 7/8" x 48 2/3" (528 x 1127)	12 1/2" (318)							
706	25" x 51 1/2" (635 x 1308)	Top*	20 7/8" x 48 2/3" (528 x 618)	8 1/4" (210)	25"	51 1/2"	44 1/4"	315	(143)	225	(102)
		Bottom	20 7/8" x 48 2/3" (528 x 1127)	10" (254)							

Measurements in () denote metric millimeters, unless otherwise specified.

Specifications:

Unit shall be Lakeside model 703, or 706 Condi Express and shall have a stainless steel base cabinet with laminate exterior and stainless steel interior for ease of cleaning and sanitation. Top shall be two tier, and feature drop-in pump type condiment dispensers in a combination of 3 and 7 quart sizes and dispensers for disposable condiment cups. Dispensers shall be of durable plastic construction and shall be easily disassembled for convenient cleaning. Three quart dispensers shall include an internal drop-in ice bin to cool condiment product. Interior cabinet shall include an additional stainless steel shelf in the base compartment for added storage surface. Cart shall have 4 each, 5" (127 mm) Lake-Glide® casters, 2 swivel with brakes and 2 fixed, heavy-duty, extra load.

Optional Accessories:

- 7-quart Cryovac® dispenser.
- Engraved condiment label pumps.
- Sanitary 3-quart pump lock.
- Custom laminate finishes.
- Hinged container lids (in place of 3 qt. pumps).
- Stainless steel pumps.
- Custom top configurations.



Lakeside Manufacturing, Inc.
4900 West Electric Avenue • West Milwaukee, WI 53219 U.S.A.
800-558-8565 • 414-902-6400 • Fax 414-902-6446 • www.eLakeside.com