

240003

REPLACEMENT PARTS LIST

1	150596	WHEEL: "BT-1" 10 X 2.5"	2
2	108208	WASHER: FLAT 1" SAE	4
3	108218	COTTER PIN 3/16 X 1.5"	2
4	108433	HANDGRIP: YELLOW 1-1/4"	2
5	105312	BALL PLUNGER	1
6	150018	RETAINER: TOOTHLESS	1
7	240060	SET: NOSE PRONG	1
8	051355	SET: HARDWARE, NOSEPRONG	1
9	108443	AXLE SPRING (20BT)	1
10	051346	UPPER SPRING HOUSING	1
11	051347	ASS'Y: FLOATING AXLE	1
12	051356	SET: HARDWARE, AXLE	1
13	051348	DRUM HOOK (15/20BT)	1
14	051354	ASS'Y: RETAINER PIN/SPRING	1
15	-	BOX	

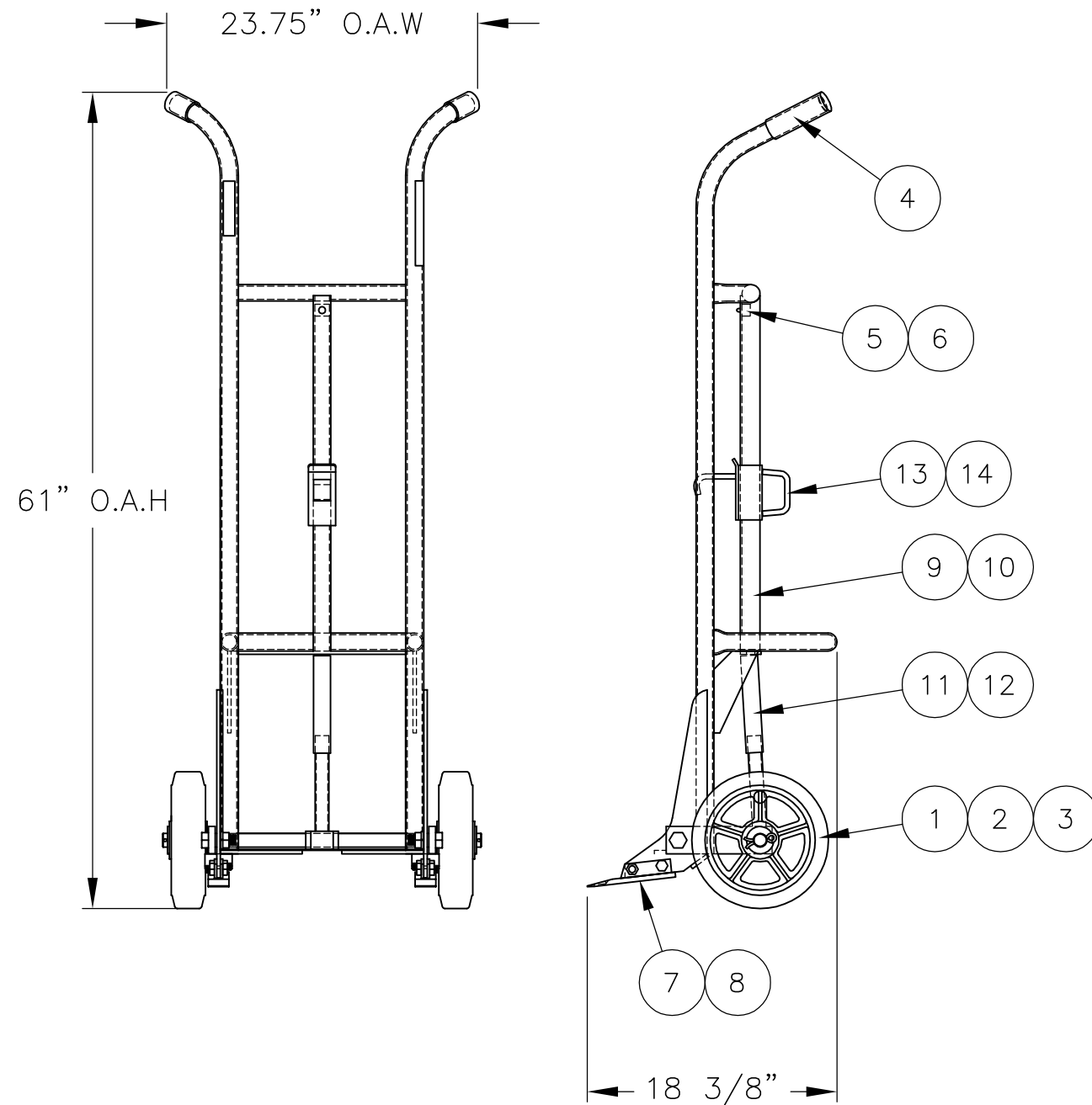
P/N **240003**
 Model: **20BT**
 Capacity: 1,000 lbs
 Weight: 74 lbs
 Wheel: 10" x 2-1/2" Moldon Rubber

DRUM TRUCK Features:

- Industrial strength heavy duty 1" structural pipe frames.
- All joints double welded.
- High quality cast iron center moldon rubber wheel with 1" (ID) roller bearings.
- Polyolefin wheel is cost competitive and resistant to most environments that may damage rubber wheels.
- All trucks can be stored standing upright.
- Engineered to handle 55 gallon steel drum.
- capacity: 1,000 lbs.

20BT/20BTW DELUXE Features:

- An industry standard.
- Floating axle reduces effort required to break over and balance load.
- Easiest drum truck for one person to use.
- Chime hook can be stored at the top of the frame for easy use.
- Replaceable hard faced double beveled nose prongs.
- Self-standing
- With wheels resting on floor 18" to center of lowered chime hook.



PRINT ISSUED

NOV. 10, 2006

WESCO MANUFACTURING
ENGINEERING DEPARTMENT

WESCO INDUSTRIAL PRODUCTS INC.
LANSDALE PENNA. 19446

REVISIONS	PART NAME	20BT DRUM TRUCKS		DRAWN: LDU 8-9-00
	TOLERANCE UNLESS OTHERWISE SPECIFIED			CHECKED:
	FRACTION	3 PLACE DECIMAL	2 PLACE DECIMAL	APP. ENGR.
	± 1/64	± .005	± .01	SCALE: 1" = 12"
ANGULAR ± 1-1/2'	SHEET 1	OF 1	B- 240003	
BREAK ALL SHARP EDGES AND REMOVE ALL BURRS				