

HC-100, HC-125 AND HC-225 CERAMIC HOTPLATES



Wells Ceramic Hotplates HC-100, HC-125 and HC-225 are leaders in the hotplate industry because of their efficient and easy-to-use features. Heat-up is five times faster than conventional hotplates providing a clear advantage in commercial food preparation. The completely sealed ceramic surface resists spills and allows for easy clean-up.

Features

- Heats five times faster than any conventional hotplate, reducing cooking time and saving energy.
- Smooth, flat surface works with any pot or skillet and is easy-to-clean.
- Completely sealed, non-porous surface resists thermal shock (quick, extreme temperature changes).
- Long life, fast glowing, radiant element technology provides even heating of cooking surface that is ideal for display cooking and specialty applications.
- The HC-100, HC-125, and HC-225 Hotplates are Underwriters Laboratories, Inc. LISTED and meet the National Sanitation Foundation and Canadian standards.
- A one-year warranty against defects covers parts and labor.

Accessories / Options

Legs, set of four, 4" adjustable, plastic, 20314

Legs, set of four, 4" adjustable, metal, 20563

Cordset, 30 AMP, 1Ø, NEMA 6-30P, 20141
(HC-125 and HC-225 only)

Specifications

Dimensions:	Inches	MM
Overall Dimensions (HC-100):		
Width	12 5/8	321
Depth	12 5/8	321
Height (incl. 1" legs)	6 3/4	171
Overall Dimensions (HC-125):		
Width	14 3/4	375
Depth	14	356
Height (incl. 1" legs)	6 3/4	171
Overall Dimensions (HC-225):		
Width	14 3/4	375
Depth	24 5/8	625
Height (incl. 1" legs)	6 3/4	171
Temperature Settings:	OFF/LO to HI	
Weights:	Lbs.	KG
HC-100:		
Installed	12	5
Shipping	15	7
HC-125:		
Installed	13	6
Shipping	16	7
HC-225:		
Installed	23	10
Shipping	26	12

Export

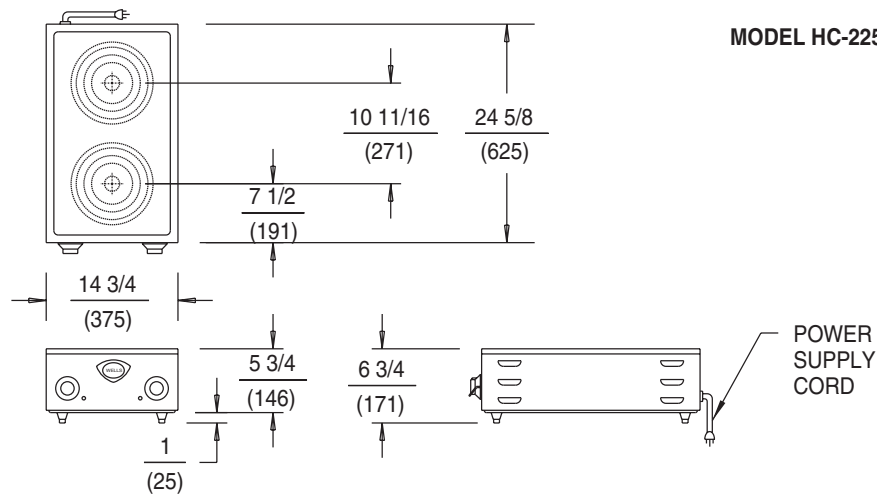
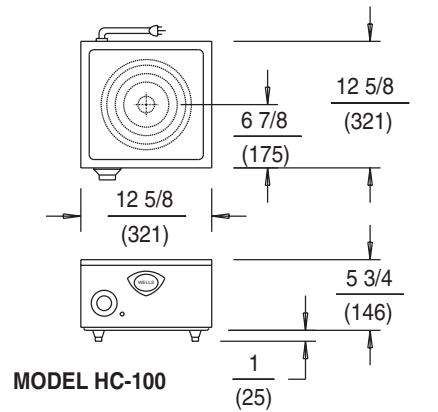
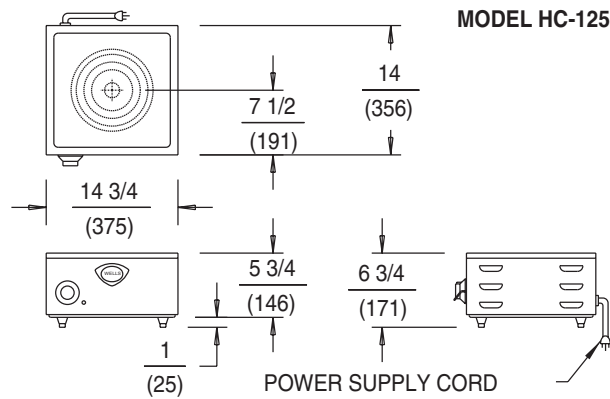
The following models are available for export and meet the standards for CE:

- HC-125EU, 220-240V, 1Ø, 2.5 KW
- HC-225EU, 220-240V, 1Ø, 5.0 KW



WELLS MANUFACTURINGLISTED
E6070

STD.4

LISTED
E6070EXPORT
MODELS
ONLY**MODELS
HC-100, HC-125, HC-225
CERAMIC HOTPLATES****DIMENSIONS:**INCH
(MM)**HC-100, HC-125 AND HC-225 ELECTRICAL SPECIFICATIONS:**

MODELS	VOLTS	WATTS	AMPS	PHASE	POWER SUPPLY CORD
HC-100	120	1400	11.7	SINGLE	NEMA 5-15P
HC-125	208	1900	9.0	SINGLE	NEMA 6-15P
HC-125	240	2500	10.4	SINGLE	NEMA 6-15P
HC-125EU	220-240	2500	10.4	SINGLE	SUPPLIED
HC-225	208	3800	18.1	SINGLE	NEMA 6-30P
HC-225	240	5000	20.8	SINGLE	NEMA 6-30P
HC-225EU	220-240	5000	20.8	SINGLE	SUPPLIED

Denotes export (EU) products.

NOTE: Specifications are subject to change without notice.

WELLS MANUFACTURING COMPANY

2 ERIK CIRCLE, PO BOX 280, VERDI, NV 89439 U.S.A.

USA PHONE: (775) 689-5700 • FAX: (775) 689-5972

FOR ORDERS ONLY: (888) 356-5362 • FAX: (800) 356-5142 • www.wellsbloomfield.com

A SPECIALTY EQUIPMENT COMPANY • 2000 WELLS MANUFACTURING • PRINTED IN THE U.S.A.

6/00 • REV(B) • PART NO. 301125

