



Project:

Item Number:

Quantity:

COUNTERTOP AND FLOOR MIXERS



40756



40758

Mixers

DESCRIPTION

Vollrath's new line of mixers are a standard-setting advance in value: all the features, all the workhorse durability, and all the Vollrath service, reliability, and reputation in one tough range of Mixers, ready to keep you mixing strong, serving long.

MODELS

- 40755 MIX1007 Countertop Mixer – 7 Quart with Guard
- 40756 MIX1030 Countertop Mixer – 10 Quart with Guard
- 40757 MIX1020 Bench Mixer – 20 Quart with Guard
- 40758 MIX1030 Floor Mixer – 30 Quart with Guard
- 40759 MIX1040 Floor Mixer – 40 Quart with Guard
- 40760 MIX1060 Floor Mixer – 60 Quart with Guard

FEATURES

Countertop Mixers, 7 and 10 Quart

- Commercial grade table model
- Five-speed direct drive transmission
- Digital control panel to make easy speed shifts while unit is running
- 30 minute timer stops the mixer when timer ends
- Compact and lighter weight design for smaller footprint, easier cleaning, and portability
- Non-skid rubber base
- 6 ft. (1.8 m) cord with plug

Bench / Floor Mixers, 20 through 60 Quart

- Three speed direct drive gear transmission
- Safety cut-switch automatically turns the unit off if gears are changed without stopping the mixer
- 30 minute timer stops the mixer when timer ends
- 60 quart model includes bowl truck for convenient bowl transport
- Meat Grinder, Vegetable Slicer, reducer kits, and other accessories available
- Number 12 hub accommodates meat grinder and vegetable slicer attachments for flexibility between grinding, slicing, and mixing
- Comes standard with: dough hook, wire whisk, spatula, stainless steel mixing bowl, and safety guard
- 6 ft. (1.8 m) cord with plug

WARRANTY: Vollrath Floor Mixers come with a 5 year warranty on the belt. All models shown come with Vollrath's standard one-year warranty against defects in materials and workmanship. For full warranty details, please refer to the Vollrath Equipment and Smallwares Catalog.

Agency Listings



Due to continued product improvement, please consult www.vollrathco.com for current product specifications.

Approvals	Date



Setting the Standard™

www.vollrathco.com

The Vollrath Company, L.L.C.
1236 North 18th Street
Sheboygan, WI 53081-3201 U.S.A.
Customer Service: 800.628.0830
Canada Customer Service: 800.695.8560
Main Fax: 800.752.5620 or 920.459.6573

Technical Services: 800.628.0832
Technical Services Fax: 920.459.5462

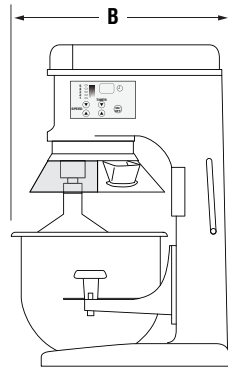
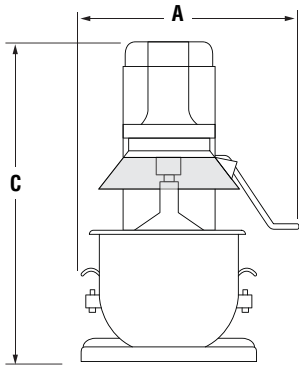
COUNTERTOP AND FLOOR MIXERS

MODELS	40755	MIX1007	Countertop Mixer – 7 Quart with Guard	40758	MIX1030	Floor Mixer – 30 Quart with Guard
	40756	MIX1030	Countertop Mixer – 10 Quart with Guard	40759	MIX1040	Floor Mixer – 40 Quart with Guard
	40757	MIX1020	Bench Mixer – 20 Quart with Guard	40760	MIX1060	Floor Mixer – 60 Quart with Guard

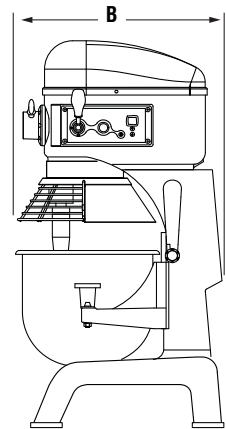
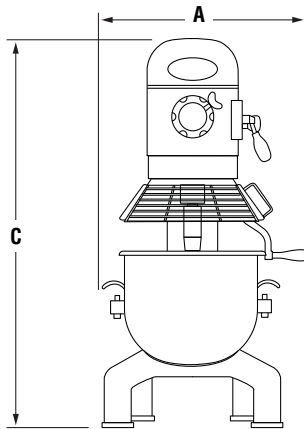
DIMENSIONS

Dimensions shown in inches (cm).

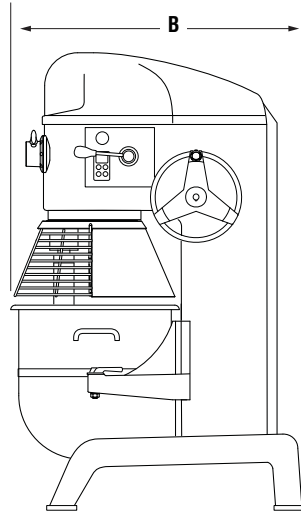
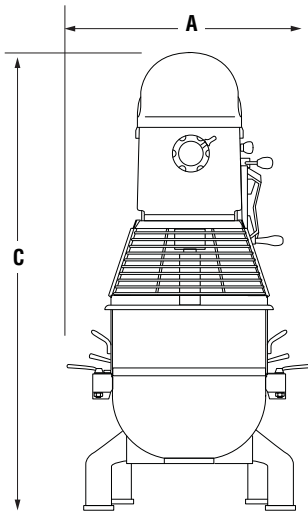
7/10 Quart Mixer



20/30/40 Quart Mixer (20 Quart Mixer Shown)



60 Quart Mixer



SPECIFICATIONS

Item	Dimensions			Transmission	HP	Voltage	Amps	Plug
	(A) Width	(B) Depth	(C) Height					
40755	13 1/8 (33.3)	17 3/4 (45.1)	20 1/4 (51.4)	5 speed	1/3	110	6	5-15P
40756	13 1/16 (33.2)	17 11/16 (44.9)	21 3/16 (53.8)	5 speed	1/3	110	6	5-15P
40757	20 3/8 (51.8)	20 3/8 (51.8)	35 5/8 (90.5)	3 speed	1/2	110	8	5-15P
40758	25 (63.5)	24 1/2 (62.2)	47 7/8 (121.6)	3 speed	1	110	16	5-15P
40759	26 1/2 (67.3)	26 9/16 (67.5)	47 1/8 (119.7)	3 speed	1/2	220	12	6-15P
40760	27 3/8 (69.5)	30 (76.2)	55 13/16 (141.5)	3 speed	2	220	16	6-15P

Receptacles

