



COMMERCIAL  
Juicers

Project Name:

Location:

Item:

Qty.:

Model:

Model **BMJ330**  
Pulp Ejector



**FEATURE LIST**

Model:	BMJ330(120/60/1) BMJ332(220/50-60/1)
Description:	Pulp Ejector
Rated Power:	350 Watts / 1/2 HP / 11,000 RPM
Bowl:	Surgical Stainless Steel
Warranty:	1 Year
Weight:	9.15 Lbs./4.2 kg
Dimensions:	8" W x 12 1/2" D X 15" H 203mm W x 318mm D X 381mm H

**Model BMJ330**

Pulp Ejector

- Pulp ejection for continuous juicing capacity
- Mega Mouth chute for less preparation
- Provides vitamins and minerals in their most natural form
- 1/2 lb. stainless steel blade
- Ultra quiet, smooth operation
- Easy to use, easy to clean
- Powerful commercial motor
- 1 Year warranty

Specifications subject to change without notice.

Approvals:

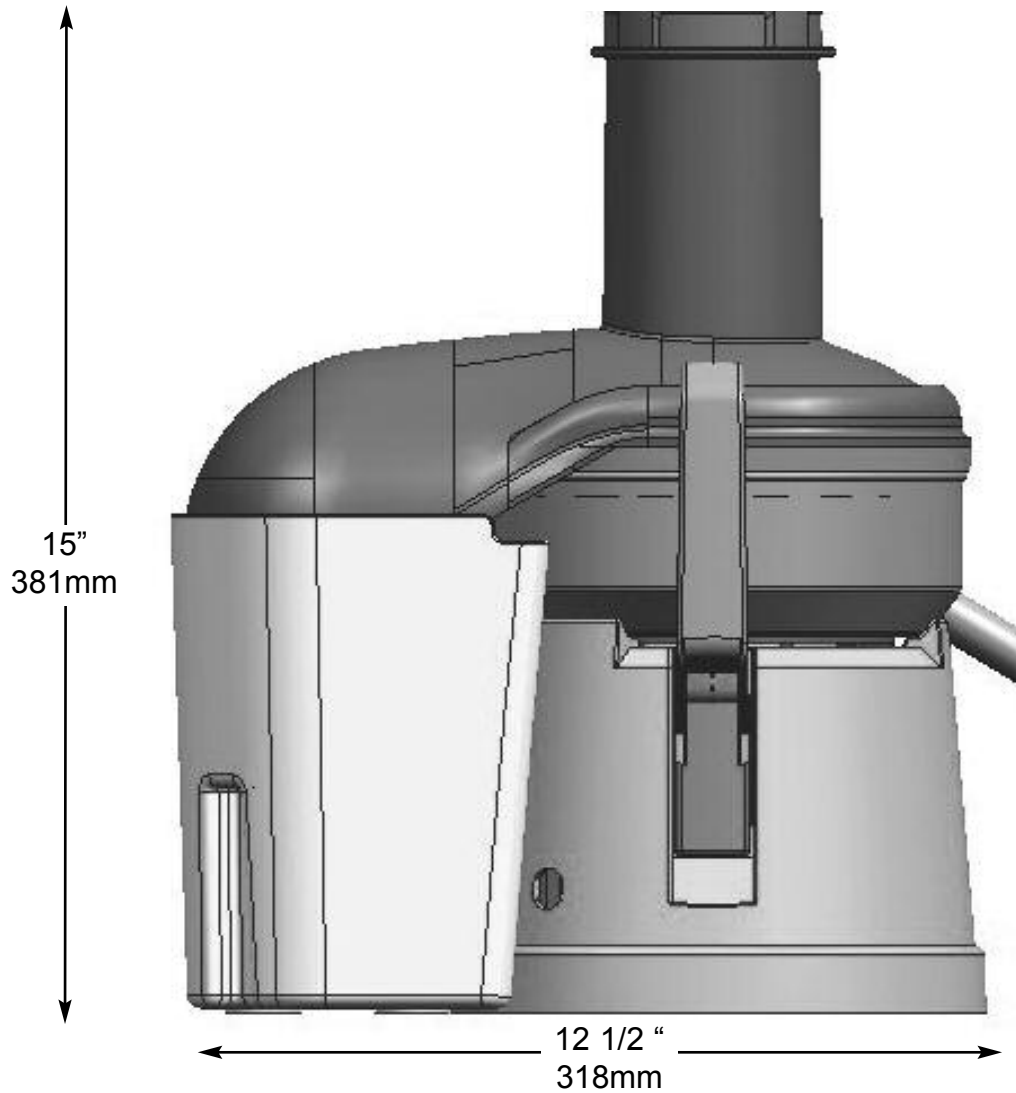




Model **BMJ330**

Pulp Ejector

# PLAN VIEW



- Pulp ejection for continuous juicing capacity
- Mega Mouth chute for less preparation
- Provides vitamins and minerals in their most natural form
- 1/2 lb. stainless steel blade

- UL/cUL listed for household and commercial use
- Ultra quiet, smooth operation
- Easy to use, easy to clean
- Powerful commercial motor
- 1 Year warranty

