



JOB:
ITEM:
QTY:



ENCLOSED MOBILE SECURITY CABINET

SPECIFICATIONS

MATERIAL: Hi-tensile, corrosion resistant, rust proof, primary extruded aluminum, Type 6463-T5 alloy and 5052 H32-34 sheet aluminum.

CONSTRUCTION: All heli-arc welded.

SHELVES: Unit equipped with two shelves constructed of 1-1/2" x 1-1/2" .070" extruded aluminum tube with 1-1/4" x 2-1/4" x .100 thick T-Bar's welded perpendicular to the length.

BASE: 1/8" Sheet base, reinforced with 1-1/4" x 1-1/2" x .070" wall tube; 2-3/4" x 4" x 3/8" thick pre-tapped caster plates are welded to the base.

DOORS & SIDES: Constructed of 1/8" Sheet, Door is reinforced with 1"x1"x.070" wall tube; Doors and Sides have louvers to create airflow. Doors have lockable latch to increase security.

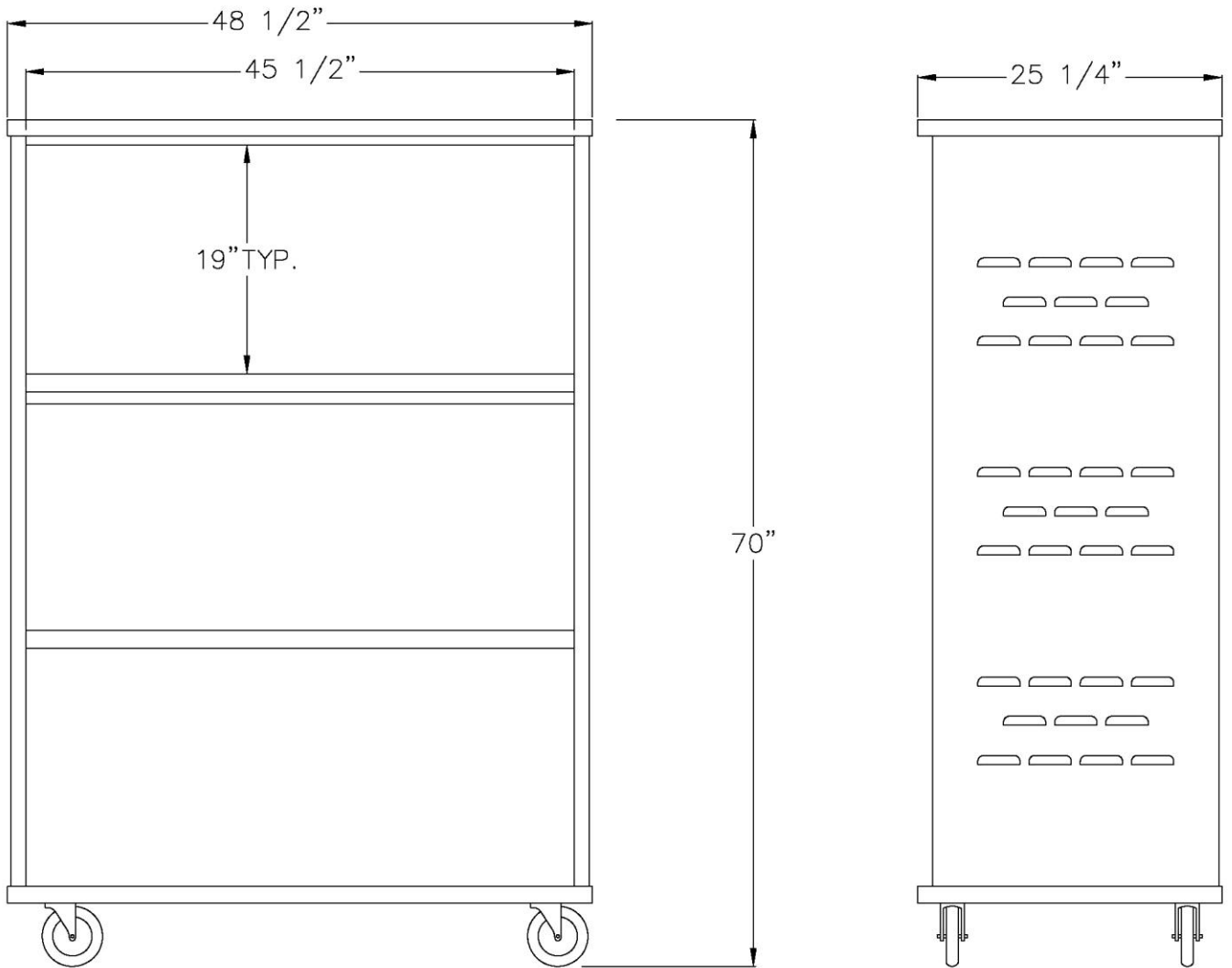
BACK: Solid 1/8" Sheet back notched to allow for shelves.

CASTERS: Four 5" diameter casters, 1-1/4" wide with polyurethane tire; two swivel and two rigid. Load capacity = 290# each.



Phone: 800-255-0104
Fax: 877-877-7687
www.newageindustrial.com
sales@newageindustrial.com

New Age Industrial reserves the right to modify or make changes at any time without notice to materials and specifications.



MODEL #98167

Model No.	Size-W	Size-H	Size-D	Wt.
98167	48 1/2"	70"	25 1/4"	170#



Phone: 800-255-0104
 Fax: 877-877-7687
www.newageindustrial.com
sales@newageindustrial.com

New Age Industrial reserves the right to modify or make changes at any time without notice to materials and specifications.