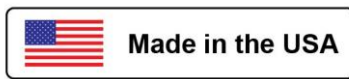




JOB:
ITEM:
QTY:



CAN RACK – FULL SIZE

APPLICATION:

Our units come with heavy-duty aluminum constructed with the most welds in the industry, insuring years of strength and durability.

MATERIAL:

Uprights are constructed out of 1 1/4"x1 1/2"x.070" wall tubing. Can guides are constructed out of 1 1/4"x2 1/4"x.100" wall T-Bar. Stationary units come equipped with NSF Certified adjustable feet.

MOBILE UNITS:

The "CK" units come equipped with four 6" platform type casters, two swivel with brake and two rigid. Base is constructed out of 1 1/2"x1 1/2" x.070" wall tubing.

GUARANTEE:

These racks carry a **Lifetime Guarantee** against rust and corrosion and also carry a **Five-Year Guarantee** against workmanship and material defects.

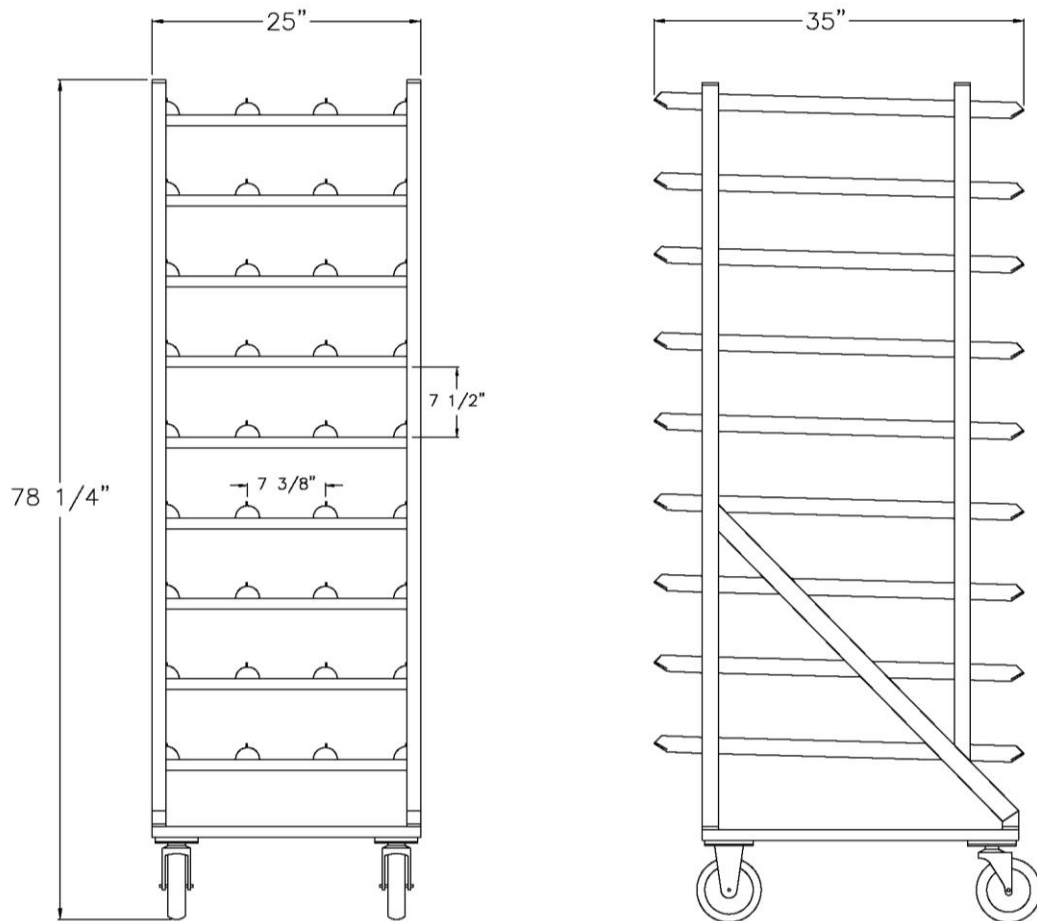


Model #1250CK



Phone: 800-255-0104
Fax: 877-877-7687
www.newageindustrial.com
sales@newageindustrial.com

New Age Industrial reserves the right to modify or make changes at any time without notice to materials and specifications.



Model #1250CK

Model No.	Size-W	Size-H	Size-D	Can Cap. #10	Can Cap. #5	Can Cap. #2 1/2	Can Cap. #303	Casters
1250	25"	71"	35"	162	216	**	**	No
1250CK	25"	78 1/4"	35"	162	216	**	**	Yes
1251	23"	66"	35"	**	**	352	484	No
1254	25"	73"	35"	**	288	**	**	No
1256	25 1/2"	71"	47"	216	297	**	**	No
1256CK	25 1/2"	77 1/4"	47"	216	297	**	**	Yes



Phone: 800-255-0104
 Fax: 877-877-7687
www.newageindustrial.com
sales@newageindustrial.com

New Age Industrial reserves the right to modify or make changes at any time without notice to materials and specifications.