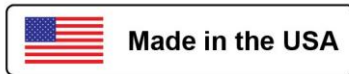




JOB:
ITEM:
QTY:



CUP/GLASS RACK DOLLY

APPLICATION:

These dollies are specifically designed to hold 20" x 20" or smaller cup and glass racks.

MATERIAL:

The single dolly is constructed with a 1 1/4" x 1 1/4" x .070" wall tube. Casters plates are welded onto the framework to support the platform type casters.

The double and triple dollies are constructed with a 1 1/2" x 1 3/4" x .070" wall tube. This adds support for a heavier load. All racks have a .080" sheet top with lips turned up to hold the trays in place.

CASTERS:

The dolly come equipped with four 5" platform type swivel casters. The double and triple dollies come with two 5" platform type swivel caster and two 5" platform type rigid casters.

GUARANTEE:

These dollies carry a **Lifetime Guarantee** against rust and corrosion and also a **Five-Year Guarantee** against workmanship and material defects.

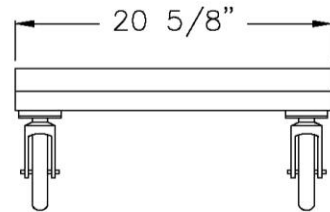
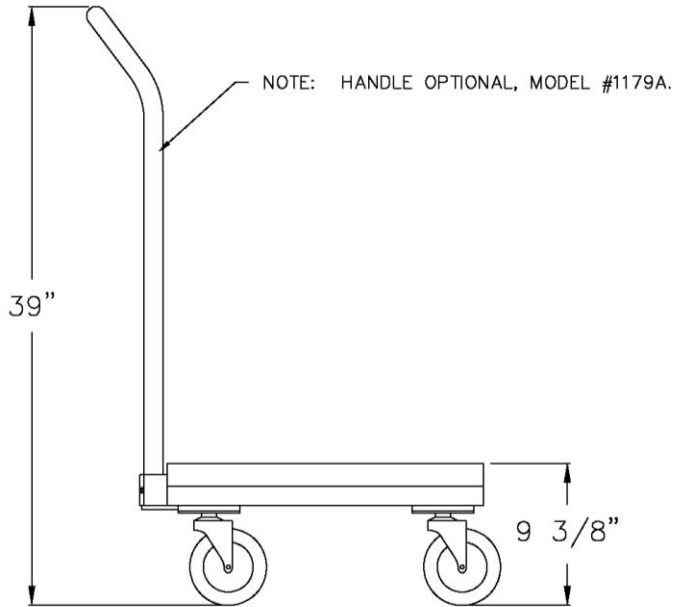
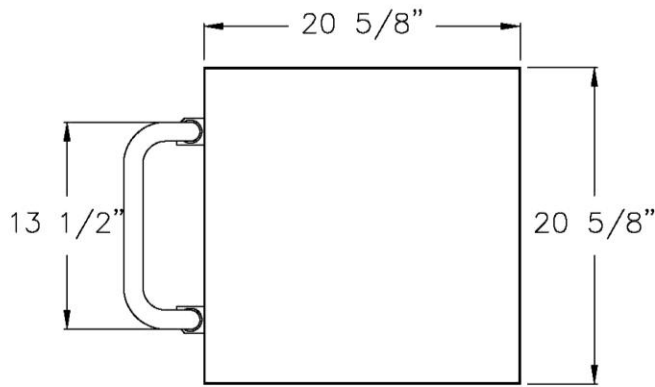


MODEL #1176A



Phone:800-255-0104
Fax: 877-877-7687
www.newageindustrial.com
sales@newageindustrial.com

New Age Industrial reserves the right to modify or make changes at any time without notice to materials and specifications.



Model #1176A

Model No.	Size-W	Size-H	Size-D
Single Unit			
1176A	20 5/8"	9 3/8"	22 3/8"
Double Unit			
93220	20 5/8"	9 7/8"	43"
Triple Unit			
98741	20 5/8"	9 7/8"	63 3/4"
Handle			
	1179A		



Phone: 800-255-0104
 Fax: 877-877-7687
www.newageindustrial.com
sales@newageindustrial.com

New Age Industrial reserves the right to modify or make changes at any time without notice to materials and specifications.