



S-Series 1400 Ice Cube Machine

Models

- SD-1402A
- SY-1404A

- SD-1403W
- SY-1405W

- SD-1492N
- SY-1494N



SD-1402A Ice Machine on B-970 Bin

Standard Features

- Up to 1,460 lbs. (662 kgs.) daily ice production
- Removeable water distribution tube requires no tools to remove
- Food zone designed with soft rounded corners
- Patented cleaning and sanitizing technology
- Select components compounded with AlphaSan® antimicrobial
- Patented ice harvest technology reduces energy requirements
- Hinged front door for easy access
- R-404A CFC-free refrigerant

COMMERCIAL WARRANTY

ICE MAKER	EVAPORATOR	COMPRESSOR
3	5	5
YEAR	YEAR	YEAR PARTS
PARTS AND LABOR		3 YEAR LABOR

Specifications

- | | |
|---|--|
| <p>BTU Per Hour:
23,500 (average) 27,000 (peak)</p> <p>Compressor:
Nominal rating: 2 HP</p> <p>Cupra-Nickel Condenser:
(Water-cooled models)
Adds protection from corrosive water elements.</p> <p>Operating Limits:</p> <ul style="list-style-type: none"> • Ambient Temperature Range:
Air and water-cooled:
35° to 110°F (1.67° to 43.3°C)
Remote: -20° to 120°F (-29° to 49°C) | <ul style="list-style-type: none"> • Water Temperature Range:
35° to 90°F (1.67° to 32.2°C) • Water Pressure Ice Maker Water In:
Min. 20 psi (137.9 kPa)
Max. 80 psi (551.1 kPa) • Condenser Inlet Water In:
(Water-cooled only)
Min. 20 psi (137.9 kPa)
Max. 150 psi (1,034.2 kPa) |
|---|--|

Ice Machine Electric

208-230/60/1 standard. (208-230/60/3 and 230/50/1 also available.)

Min. circuit ampacity:

Air-cooled:	18.3 1ph	13.2 3ph
Water-cooled:	16.9 1ph	11.8 3ph
Remote:	17.9 1ph	12.8 3ph

Max. fuse size:

Air-cooled, Water-cooled, Remote:	30 amps 1ph
	20 amps 3ph

HACR-type circuit breakers can be used in place of fuses.

Ice Shape



Half Dice
3/8" x 1 1/8" x 7/8"
(.95 x 2.86 x 2.22 cm)



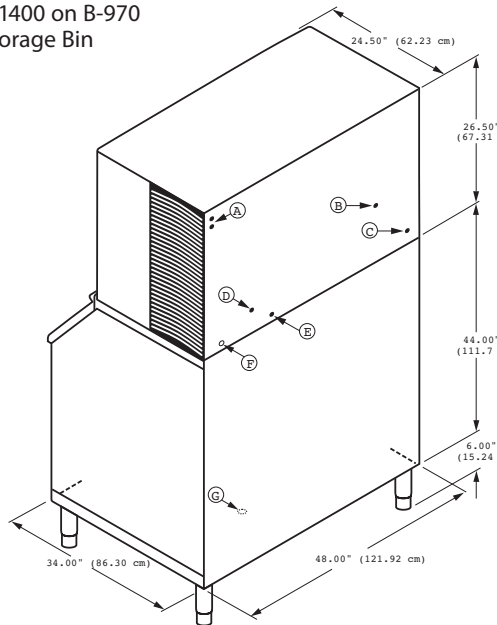
Dice
7/8" x 7/8" x 7/8"
(2.22 x 2.22 x 2.22 cm)





S-Series 1400 Ice Cube Machine

S-1400 on B-970 Storage Bin



- A Electrical Branch (2 Options)
- B 1/2" (1.27 cm) FPT. Water Condenser Outlet (w/ air-cooled units)
- C 3/8" (0.95 cm) FPT. Water Condenser Inlet (w/ air-cooled units)
- D 3/8" (0.95 cm) FPT. Ice Making Water Inlet
- E 1/2" (1.27 cm) FPT. Ice Making Water Drain
- F 1/2" (1.27 cm) Auxiliary Base Drain Socket
- G 3/4" (1.91 cm) Bin Drain

Installation Note - Minimum installation clearance:
 Water and remote units — Top/sides: 8" (20.32 cm), back: 5" (12.7 cm).
 Air-cooled units — Top/sides: 24" (60.96 cm), back: 12" (30.48 cm).

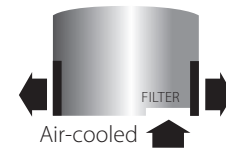
Space Saving Designs



	S-1400 B-970
Height	76.50" 194.31 cm
Width	48.00" 121.92 cm
Depth	34.00" 86.30 cm
Bin Storage	710 lbs. 322.2 kgs.

Height includes adjustable bin legs 6.00" to 7.00" (15.24 to 17.78 cm) set at 6.00" (15.24 cm).

Air Flow Top View



AuCS® SI Accessory

Automatic Cleaning System purchased factory installed in the machine or as an option for field retrofit.



Specifications

	Model	Ice Shape	Ice Production 24 Hours		Power Usage kWh/100 lbs. @ 90° Air / 70° F		Water Usage/100 lbs. 45.4 kgs. of Ice	ENERGY STAR®
			70° Air / 50° F Water	90° Air / 70° F Water	1 Ph	3 Ph	Potable Water	
AIR-COOLED	SD-1402A	dice	1440 lbs.	1112 lbs.	5.08	5.07	22.5 gal.	★
			653 kgs.	504 kgs.			85.2 L.	
	SY-1404A	half-dice	1450 lbs.	1140 lbs.	5.05	5.05	22.5 gal.	★
			658 kgs.	517 kgs.			85.2 L.	
WATER-COOLED	SD-1403W	dice	1430 lbs.	1180 lbs.	4.01	3.94	22.5 gal.	NA
			649 kgs.	535 kgs.			85.2 L.	
	SY-1405W	half-dice	1460 lbs.	1245 lbs.	3.97	3.94	22.5 gal.	NA
			662 kgs.	565 kgs.			85.2 L.	
Water-cooled Condenser Water Usage / 100 lbs./45.4 kgs. of Ice: 150 gal/568 L								
REMOTE-COOLED	SD-1492N	dice	1380 lbs.	1150 lbs.	4.63	4.63	22.5 gal.	★
			626 kgs.	522 kgs.			85.2 L.	
	SY-1494N	half-dice	1430 lbs.	1169 lbs.	4.63	4.63	22.5 gal.	★
			649 kgs.	530 kgs.			85.2 L.	

Order ice storage bin separately. Ice storage bin and JC-1395A remote condenser must be ordered separately. Consult remote condenser specification sheet for details. To order 3 phase add "3" suffix to model # (SD-1402A3).

2110 South 26th Street
 PO Box 1720
 Manitowoc, WI 54221-1720 USA

Tel: 1.920.682.0161
 Fax: 1.920.683.7589
 www.manitowocice.com

