



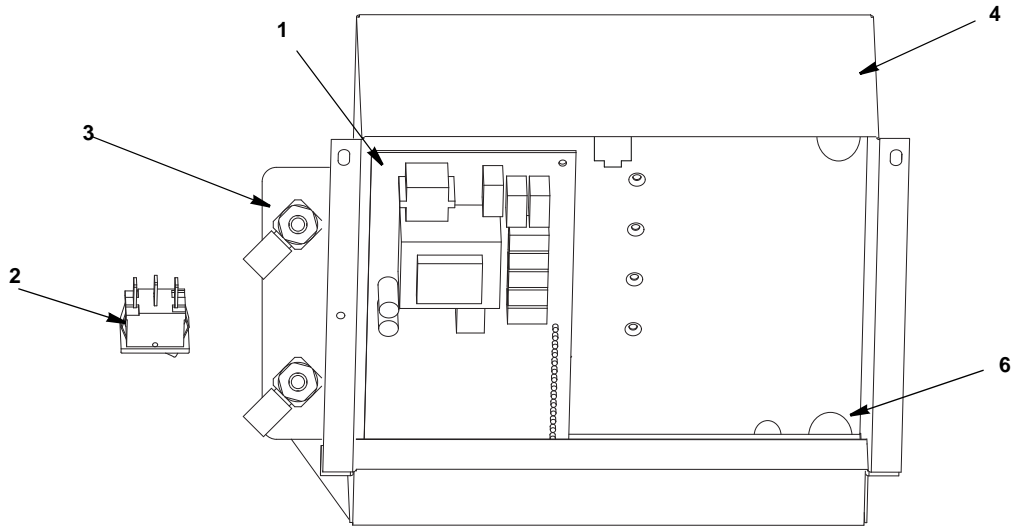
## **Ice Machine Parts List for Series S3070C Models**

**SD3072C**

**CVD3085**

**SY3074C**

## S3070C CONTROL BOX



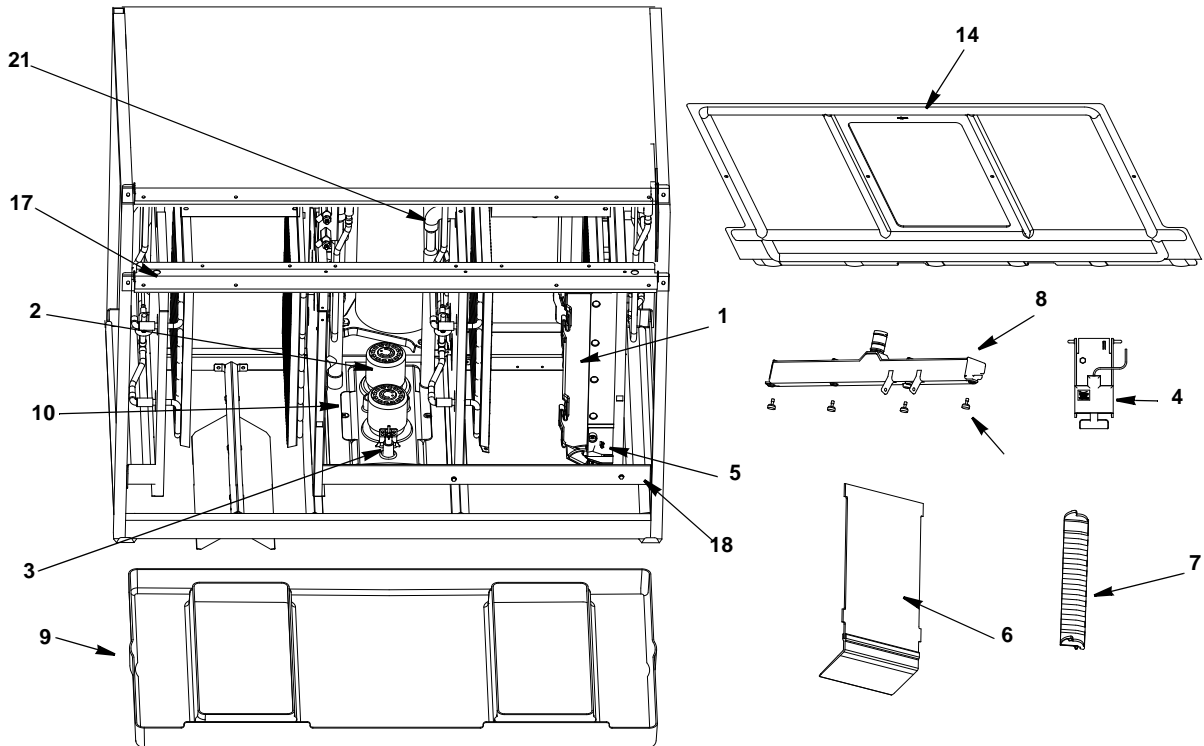
### DESCRIPTION

	<b>DESCRIPTION</b>	<b>PART NO.</b>
1	Control Board (for use with all voltages) . . . . .	000003284
a.	7 Amp Fuse – Mounted on Control Board . . . . .	25-1100-3
2	<b>Toggle Switch</b> Only . . . . .	20-0793-9
a.	Toggle Switch Wiring Harness . . . . .	000002858
b.	Toggle Switch Box . . . . .	40-1163-9
3	Refrigeration Service Valve Assembly . . . . .	83-7325-3
a.	Mounting Bracket . . . . .	000003278

### Miscellaneous – Brackets, Screws, etc.

4	Control Box . . . . .	000003088
a.	Control Box Cover (Not shown) . . . . .	000003089
b.	Control Box Bracket . . . . .	606724-9
5	Control Board Mounting Supports (Not shown) . . . . .	43-0225-3
6	Bushing . . . . .	25-0219-3
7	Screw, #10-24 x .50 Ground . . . . .	52-0216-9
a.	Star Washer . . . . .	55-7320-9
8	Screw, #10-24 x .50 . . . . .	52-0206-9
9	Wiring Harnesses (Not shown)	
a.	Control Box 115/60 . . . . .	000002860
b.	Harvest Air Assist Pump . . . . .	
c.	Curtain Switch . . . . .	000002859
d.	Bulkhead CVD . . . . .	000003960
e.	Low Pressure Protection . . . . .	000003260
f.	Compressor . . . . .	000001369
g.	Incoming Power Supply) . . . . .	000003171

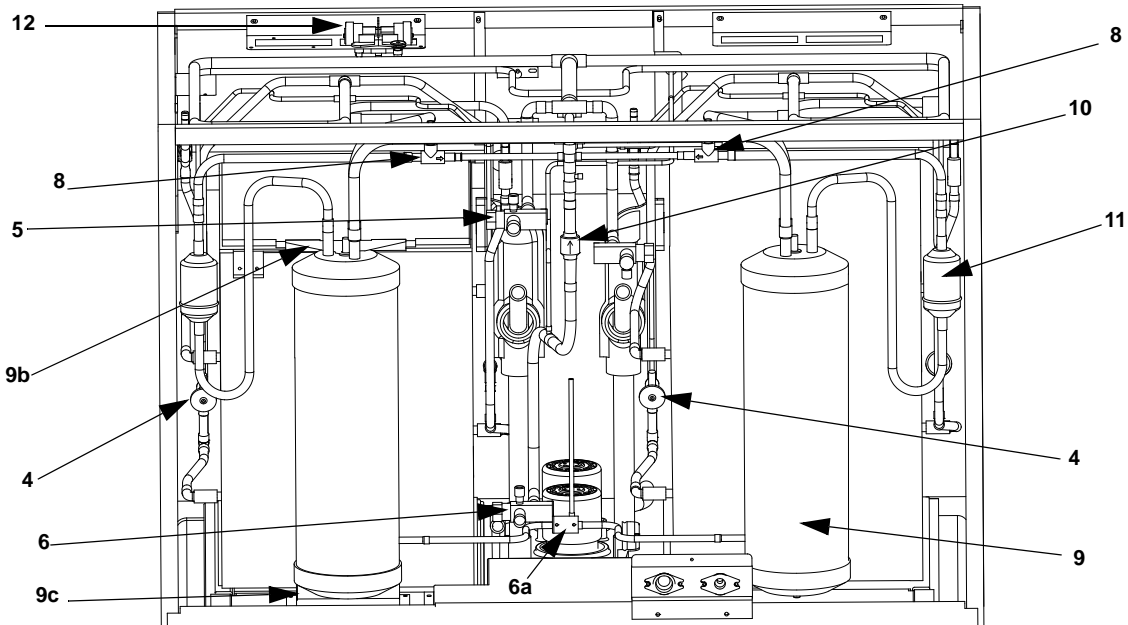
## S3070C EVAPORATOR COMPARTMENT



### DESCRIPTION

		<b>PART NO.</b>
1	<b>Evaporator Assembly</b>	
	a. Dice Cube .....	000002783
	b. Half Dice Cube .....	000002784
2	<b>Water Pump</b>	
	a. 115V .....	000001153
	b. 208-230V/50 Hz .....	000000259
3	<b>Water Level Probe.</b>	
	a. Holder .....	20-0654-9
	b. Bracket .....	20-0655-9
	c. Wire, control box to probe .....	000003355
	d. Screw (to mount water level probe holder) .....	20-0798-9
	e. Screw (to mount water level probe holder) .....	52-0206-9
4	<b>Ice Thickness Control Probe (not shown)</b>	
	a. Clip (holds ice thickness probe wire to bulkhead) .....	20-0802-9
5	<b>Magnetic Switch</b>	
	a. Covers .....	56-5090-9
6	<b>Splash Shields</b>	
	a. Covers .....	000001756
7	<b>Ice Damper Assembly.</b>	
	a. Covers .....	000001421
8	<b>Water Distribution Tube Assembly</b>	
	a. Molded Vinyl Tube (to Right Hand Distribution Tubes) .....	000002785
	b. Molded Vinyl Tube (to Left Hand Distribution Tubes) .....	000002056
	c. Barbed Fitting .....	76-0219-3
	d. Clamp (for barbed fitting) .....	000001118
	e. Clamp (vinyl tubes to distribution tubes) .....	000001117
	f. Fitting (through bulkhead) .....	000001986
	g. Fitting Bracket .....	56-5060-9
	h. O-Rings (Back of Distribution Assembly) .....	56-5053-9
9	<b>Water Trough</b>	
	a. Covers .....	40-1469-3
	b. Fitting Bracket .....	000001923
	c. O-Rings (Back of Distribution Assembly) .....	50-0464-9
	d. Covers .....	000002956
	e. Fitting Bracket .....	000002955
	f. O-Rings (Back of Distribution Assembly) .....	50-0479-9
	g. Fitting Bracket .....	50-0462-9
	h. O-Rings (Back of Distribution Assembly) .....	50-0461-9
10	<b>Miscellaneous – Covers, Brackets, Screws, etc.</b>	
	a. Water Pump and Water Level Probe Mount .....	000003107
	b. Screw, (Water Distribution Tube Mounting) Each .....	000002993
	c. O-Ring .....	000002176
11	<b>Screw, #12-16 x .687 Used to Mount Evaporator (Each)</b>	
	a. O-Ring .....	000001416
12	<b>Screw, #12-16 x .687 Used to Mount Evaporator (Each)</b>	
	a. O-Ring .....	000003026
13	<b>Evaporator Top Covers</b>	
	a. O-Ring .....	000003025
14	<b>Evaporator Front Cover</b>	
	a. O-Ring .....	000004062
15	<b>Evaporator Top Filler Covers</b>	
	a. O-Ring .....	50-1231-9
16	<b>Evaporator Bottom Covers</b>	
	a. O-Ring .....	000003112
17	<b>Evaporator Top Support</b>	
	a. O-Ring .....	000003111
18	<b>Evaporator Bottom Support</b>	
	a. O-Ring .....	000003113
19	<b>Evaporator Top Bracket</b>	
	a. O-Ring .....	000003112
20	<b>Screw, #12-16 x .687 Used to Mount Evaporator</b>	
	a. O-Ring .....	000003111
21	<b>Molded Vinyl Tubing</b>	
	a. Water Pump to Distribution Tube (Evaporators 1 & 3) .....	000003112
	b. Water Pump to Distribution Tube (Evaporators 2 & 4) .....	000003111
	c. Cross Over (Connects 1 & 2 and 3 & 4) .....	000003113

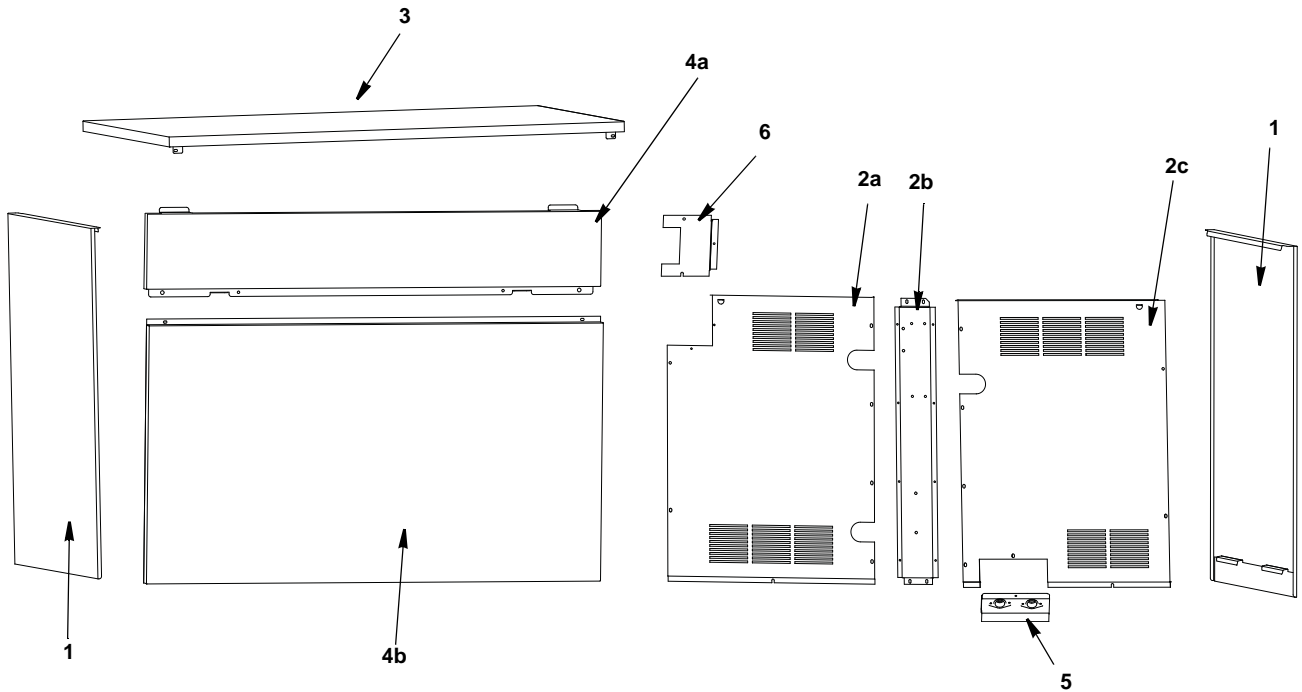
## S3070C REFRIGERATION COMPARTMENT – COMMON PARTS



### DESCRIPTION

			<b>PART NO.</b>
<b>1</b>	<b>Water Dump Valve</b>		
	a. 115V/60 Hz . . . . .		000001767
	b. 208-230V/50 Hz . . . . .		000001768
<b>2</b>	<b>Harvest Valve</b>		
	a. Solenoid Valve with Electrical Coil (115V/60 Hz) . . . . .		000002788
	b. 115V/60 Hz Electrical Coil Only . . . . .		000005156
	c. Solenoid Valve with Electrical Coil (208-230V/50 Hz) . . . . .		76-3010-1
	d. 208-230V/50 Hz Electrical Coil Only . . . . .		000005157
<b>3</b>	<b>Water Inlet Valve Including Coil</b>		
	a. 115V/60 Hz . . . . .		000003395
	b. 208-230V/50 Hz . . . . .		000002884
<b>4</b>	<b>Expansion Valve</b>		
	a. Expansion Valve Body Insulation Boot . . . . .		000003158
	b. Expansion Valve Bulb Insulation Boot . . . . .		40-0040-3
<b>5</b>	<b>Manual Shut-off Valve Suction Line</b>		
	a. Bracket . . . . .		40-0092-3
	a. Support . . . . .		83-7328-3
	b. Lockwasher . . . . .		000003280
	c. Screw . . . . .		000003356
<b>6</b>	<b>Manual Shut-off Valve Liquid Line</b>		
	a. Bracket . . . . .		55-4510-9
<b>7</b>	<b>Receiver Service Valve</b>		
	a. Valve Cap . . . . .		50-3345-9
<b>8</b>	<b>Liquid Line Solenoid Valve</b>		
	a. Liquid Line Solenoid Valve with Coil (115V/60 Hz) . . . . .		83-7327-3
	b. 115V Coil Only . . . . .		000003280
	c. Liquid Solenoid Valve with Coil (208-230V/50 Hz) . . . . .		† 83-7316-9
	d. 208-230V/50 Hz Coil Only . . . . .		56-5075-3
<b>9</b>	<b>Receiver</b>		
	a. Bracket (bottom) . . . . .		000002788
	b. Bracket (top) . . . . .		000005156
<b>10</b>	<b>Check Valve</b>		
	a. Bracket . . . . .		76-3010-1
<b>11</b>	<b>Drier</b>		
	a. Bracket . . . . .		000005157
	b. Screw . . . . .		000003091
<b>12</b>	<b>Air Assist Pump</b>		
	a. Air Assist Pump - 115V/60 Hz . . . . .		000003254
	b. Air Assist Pump - 208-230V/50 Hz . . . . .		000003256
	c. Manifold Tee (Air Pump Tubing Outlet) . . . . .		82-5356-3
	d. Nozzle . . . . .		000002883
	e. Bracket . . . . .		20-0934-3
	f. Screw . . . . .		20-0935-3
			40-1173-3
			30-0145-3
			000003106
			52-0206-3
<b>Miscellaneous – Brackets, Screws, etc.</b>			
<b>13</b>	<b>Water Drain</b>		
	a. Female Wing Adapter . . . . .		87-0609-3
	b. Clear Tubing, .625 ID x 12 inches . . . . .		44-2038-3
	c. Clamp . . . . .		56-5070-9
<b>14</b>	<b>Water Inlet Valve</b>		
	a. Tubing . . . . .		40-1043-9
	b. Connector . . . . .		13-6098-9
	c. Bracket . . . . .		000002064
<b>15</b>	<b>Water Dump Valve</b>		
	a. Mounting Bracket . . . . .		000003257
	b. Tubing . . . . .		000003110
<b>16</b>	<b>Heat Exchanger Mounting Bracket</b>		
	a. Bracket . . . . .		000003352
<b>17</b>	<b>Clamp, Expansion Valve Bulb</b>		
	a. Bracket . . . . .		56-5052-9
<b>18</b>	<b>Copper Bulb Strap</b>		
	a. Bracket . . . . .		30-0050-3
<b>19</b>	<b>Screw, #10-24 x .50</b>		
	a. Bracket . . . . .		52-0206-9

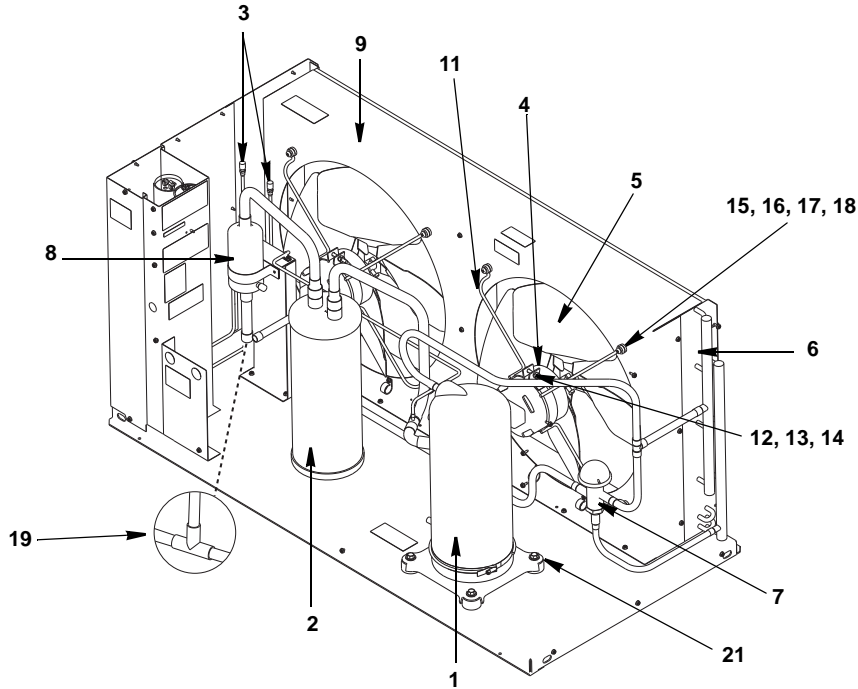
# S3070C PANELS



## DESCRIPTION

	<b>DESCRIPTION</b>	<b>PART NO.</b>
1	Side Panels .....	000002811
2	Back Panels .....	
	a. Right .....	000003398
	b. Middle .....	000003356
	c. Left .....	000003397
3	Top Cover .....	000002814
4	Front Panel .....	
	a. Upper .....	000002817
	b. Lower .....	000002816
5	Water In/Out Panel .....	000003255
	a. Wing Adapter .....	87-0608-3
	b. Wing Adapter Plastic Fitting .....	13-6096-1
6	Electrical Connection .....	
	a. Box .....	000003991
	b. Cover .....	000003993

# CVD3085 CONDENSING UNIT



pt1305

## DESCRIPTION

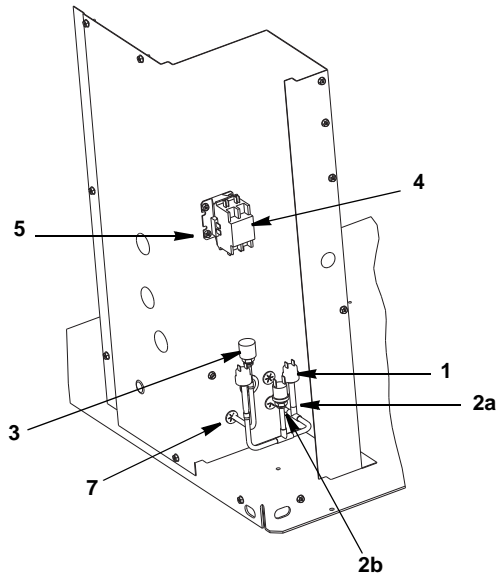
		PART NO.
1	Compressor	
	a. 208-230V/60 Hz/3 Ph . . . . .	000005076
2	Accumulator . . . . .	82-5047-3
3	Access Valve . . . . .	83-7325-3
4	Fan Motor (s)	
	a. 208-230V/60 Hz/3 Ph . . . . .	000003031
5	Fan Blade . . . . .	82-5008-3
6	Air Condenser . . . . .	88-5141-3
7	Head Pressure Control Valve . . . . .	000003190
8	Suction Line Filter . . . . .	† 82-5055-9

## Miscellaneous – Brackets, Screws, etc.

9	Fan Shroud . . . . .	603870-1
10	Fan Shroud Divider . . . . .	603932-1
11	Fan Motor Mounting Bracket . . . . .	30-0683-3
12	Fan Motor Mounting Screw . . . . .	† 50-3358-9
13	Fan Motor Mounting Lockwasher . . . . .	† 55-4511-9
14	Fan Motor Mounting Hexnut . . . . .	† 54-2952-9
15	Fan Bracket Mounting Screw . . . . .	† 50-3358-9
16	Fan Bracket Mounting Lockwasher . . . . .	† 55-4511-9
17	Fan Bracket Mounting Flatwasher . . . . .	† 55-7305-9
18	Fan Bracket Mounting Rubber Wellnut . . . . .	† 54-2955-9
19	Tee (connect suction lines to CVD) . . . . .	000003230
20	Suction Line Filter Bracket . . . . .	000002252
21	Compressor Mounting	
	a. Base . . . . .	000003028
	b. Support Bracket . . . . .	000003086
	c. Rubber Grommet . . . . .	85-0485-9
	d. Sleeve . . . . .	85-0394-9
	e. Bolt . . . . .	50-0481-9
	f. Nut . . . . .	50-0482-9

† Refer to Cross Reference Guide

# CVD3085 CONDENSING UNIT



**DESCRIPTION**

	<b>PART NO.</b>
1 High Pressure Cut-Out Control .....	† 20-0124-3
2 Fan Cycling Control .....	† 20-0126-3
3 Low Pressure Cut-Out Control .....	20-0222-9
4 Contactor	
a. 208-230V/60/3 Ph .....	20-0661-9

**Miscellaneous – Brackets, Screws, etc.**

5 Screw, #10-24 x .50 .....	† 52-0206-9
6 Ground Screw .....	† 52-0216-9
7 Bushing .....	† 25-0016-9
8 Bushing .....	† 25-0002-9
9 Wiring Harness (Not shown)	

**Main**

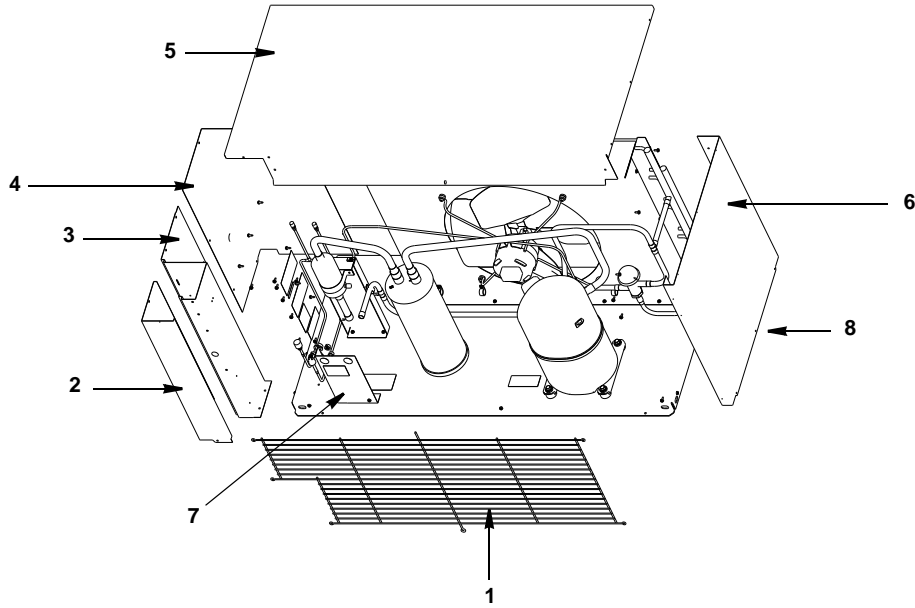
a. 208-230V/60/3 Ph .....	000002793
---------------------------	-----------

**Compressor**

a. 208-230V/60/3 Ph .....	000001369
---------------------------	-----------

† Refer to Cross Reference Guide

## CVD3085 CONDENSING UNIT PANELS



### DESCRIPTION

DESCRIPTION	PART NO.
1 Condenser Fan Guard .....	30-0014-3
2 Control Box Cover .....	† 604017-1
3 Control Box Panel .....	603707-1
4 Left Side Panel .....	603877-1
5 Cover Top .....	000002144
6 Right Side Panel .....	000002142
7 Tubing Shield .....	† 604226-1

### Miscellaneous – Brackets, Screws, etc.

8 Screw, #10-24 x .50 Hex. ....	† 52-0206-9
---------------------------------	-------------