



S-Series 422 Ice Cube Machine

Model

- SD-0422A
 SD-0423W
 SY-0424A
 SY-0425W



SY-0424A
Ice Machine on B-420 Bin

Standard Features

- Up to 460 lbs. (209 kgs.) daily ice production
- Up to CEE Tier 2 energy and water efficiency rating.
- Only 22" (55.88 cm) wide.
- Removable water distribution tube with no tools.
- Food zone designed with soft, round, cove corners.
- Patented cleaning and sanitizing technology.
- Select components made with AlphaSan® antimicrobial.
- Hinged front door for easy access.

Warranty

- 5-year parts and 5-year labor coverage on ice machine evaporator.
- 5-year parts and 3-year labor coverage on ice machine compressor.
- 3-year parts-and-labor coverage on all other ice machine, dispenser, and storage bin components.

Specifications

BTU Per Hour:

7,000 (average) 9,600 (peak)

Compressor:

Nominal rating: 3/4 HP

Cupra-Nickel Condenser:

(Water-cooled models)
Adds protection from corrosive water elements

Operating Limits:

- Ambient Temperature Range: Air and water-cooled: 35° to 110°F (1.6° to 43.3°C)
- Water Temperature Range: 35° to 90°F (1.6° to 32.2°C)
- Water Pressure Ice Maker Water In: Min. 20 psi (137.9 kPa) Max. 80 psi (551.1 kPa)
- Condenser Inlet Water In: (Water cooled only) Min. 20 psi (137.9 kPa) Max. 150 psi (1,034.2 kPa)

Ice Machine Electric

115/60/1 standard. (208-230/60/1 and 230/50/1 also available.)

Minimum circuit size:

Air-cooled: 14.2 amps
Water-cooled: 13.5 amps

Maximum fuse size:

Air-cooled and Water-cooled: 20 amps
HACR-type circuit breakers can be used in place of fuses.

Ice Shape



Half Dice
3/8" x 1 1/8" x 7/8"
(.95 x 2.86 x 2.22 cm)



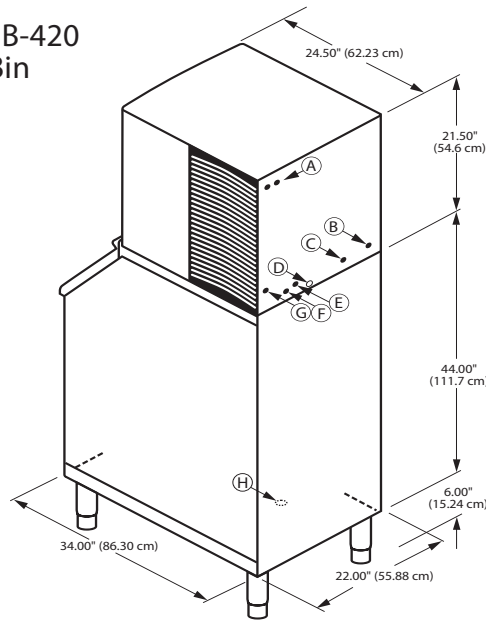
Dice
7/8" x 7/8" x 7/8"
(2.22 x 2.22 x 2.22 cm)





S-Series 422 Ice Cube Machine

S-422 on B-420 Storage Bin



- (A) Electrical Entrance (2) Options
- (B) 3/8" (0.95 cm) F.P.T. Water Condenser Inlet (water-cooled units)
- (C) 1/2" (1.27 cm) F.P.T. Water Condenser Outlet (water-cooled units)
- (D) 1/2" (1.27 cm) Auxillary Base Drain Socket
- (E) 3/8" (0.95 cm) F.P.T. Ice Making Water Inlet
- (F) 1/2" (1.27 cm) F.P.T. Ice Making Water Drain
- (G) AuCS® Accessory Knockout
- (H) 3/4" (1.91 cm) Bin Drain

Installation Note
 Minimum installation clearance: Top/sides: 8" (20.32 cm); Back: 5" (12.7 cm)

Space-Saving Designs



	S-422 B-420	S-422 B-400*
Height	76.50" 194.31 cm	64.50" 193.83 cm
Width	22.00" 55.88 cm	30.00" 76.20 cm
Depth	34.00" 86.30 cm	34.00" 86.30 cm
Bin Storage	310 lbs. 140.7 kgs.	290 lbs. 131.7 kgs.

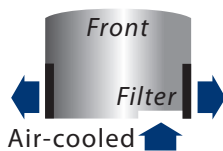
Height includes adjustable bin legs 6.00" to 7.00", (15.24 to 17.78 cm) set at 6.00" (15.24 cm).

* K-00141 bin adapter required.

Model	Ice Shape	Ice Production 24 Hours				Power kWh/100 lbs. @ 90°/70°F	CEE† Rating	ENERGY STAR®
		70°Air/50°F Water		90°Air/70°F Water				
		lbs.	kgs.	lbs.	kgs.			
SD-0422A	dice	430	195	320	145	7.1	Tier 1	
SD-0423W	dice	430	195	370	168	5.4	Tier 1	
SY-0424A	half-dice	460	209	355	161	6.5	Tier 2	★
SY-0425W	half-dice	435	197	370	168	5.1	Tier 2	
Water usage/100 lbs./45.4 kgs. of Ice								
Potable Water: 18 gallons, 68 liters • Water-cooled Condenser: 153 gallons, 579 liters.								

Order ice storage bin separately. "A" or "W" following model number indicates "Air" or "Water" condensing unit.

Air Flow Top View



AuCS®SO Accessory

Automatic Cleaning System purchased as an option and installed in the field.

† Consortium for Energy Efficiency (CEE) is a North American nonprofit organization that promotes energy-efficient products, technologies and services; also the principal entity for the development of ice maker efficiency standards.