



## **Ice Machine Parts List for Series i-322 Models**

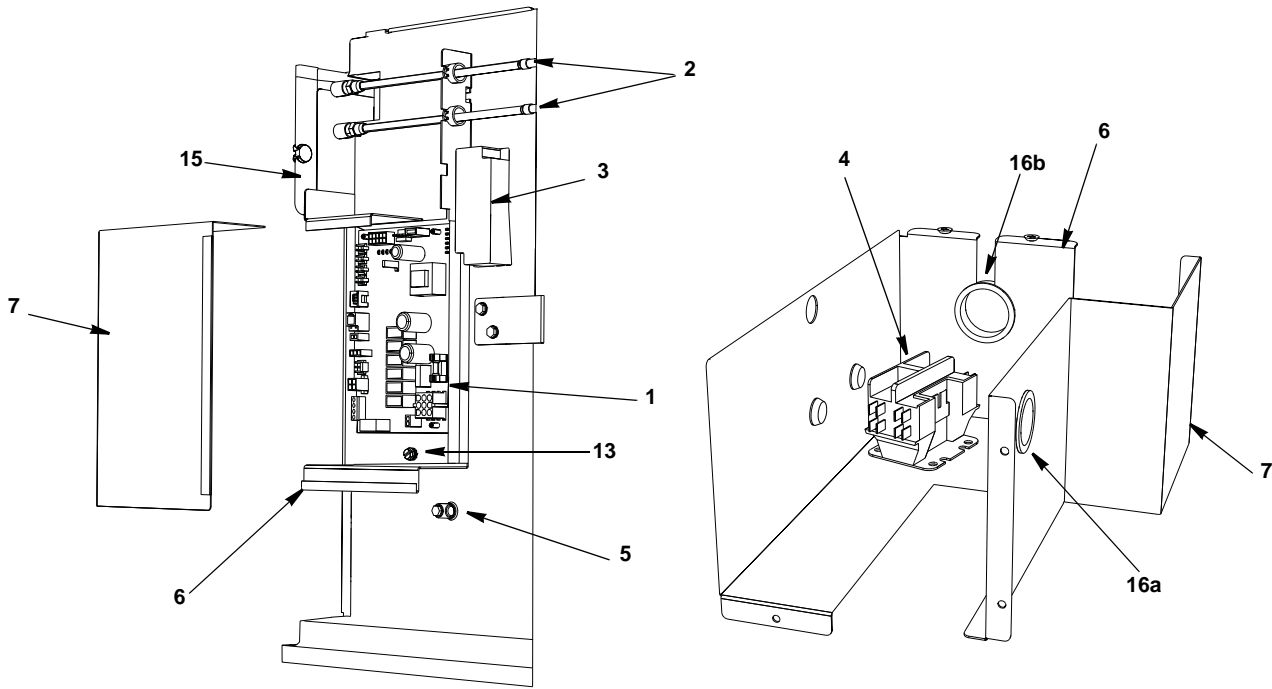
**iD0322A**

**iY0324A**

**iD0323W**

**iY0325W**

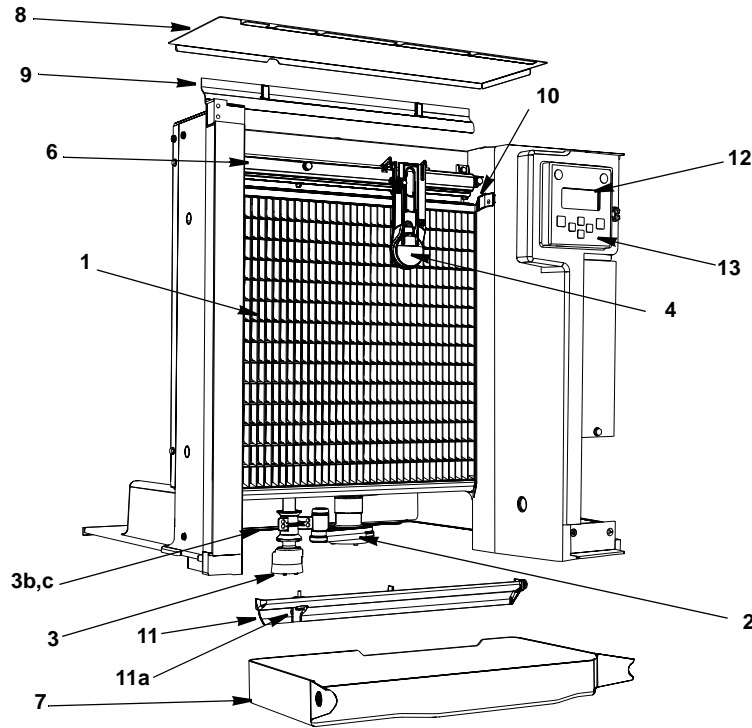
# i322 CONTROL BOX



## DESCRIPTION

	<b>DESCRIPTION</b>	<b>PART NO.</b>
1	Control Board (for use with all voltages) .....	000008309
a.	8 amp Ceramic Fuse – Mounted on Control Board .....	000008240
2	Refrigeration Service Valve Assembly .....	83-7326-3
3	Luminice Power Supply .....	K00424
4	<b>Contactors</b>	
a.	115V/60 Hz/1ph .....	20-0658-9
b.	208-230V/60 Hz/1ph .....	20-0659-9
5	<b>Magnetic Bin Switch</b> .....	000007710
a.	Wiring Harness .....	000007410
<b>Miscellaneous – Brackets, Screws, etc.</b>		
6	Control Board Box .....	000007927
7	Control Board Box Cover .....	000007928
8	Start Components Box .....	000008623
9	Start Components Box Top Cover .....	606968-1
10	Start Components Box Side Cover .....	000008620
11	Control Board Mounting Supports .....	43-0225-3
12	Capacitor Mounting Brackets .....	50-0530-3
13	Screws, #10-24 x .50 Ground .....	52-0216-9
a.	Star Washer .....	55-7320-9
14	Screw, #10-24 x .50 .....	52-0206-9
15	Lockwashers .....	55-7320-9
16	Control Box Bushings	
a.	0.5" - pack of 6 .....	25-0218-9
b.	1" - pack of 4 .....	25-0001-9
c.	1.5" - pack of 2 .....	25-0013-9
17	<b>Control Box Wiring Harness</b> (Not shown)	
a.	115/60/1 .....	000007842
b.	230/60/1 .....	000007843
c.	230/50/1 .....	000007844
18	<b>Compressor Compartment Wiring Harness</b> (Not shown) .....	20-0876-3

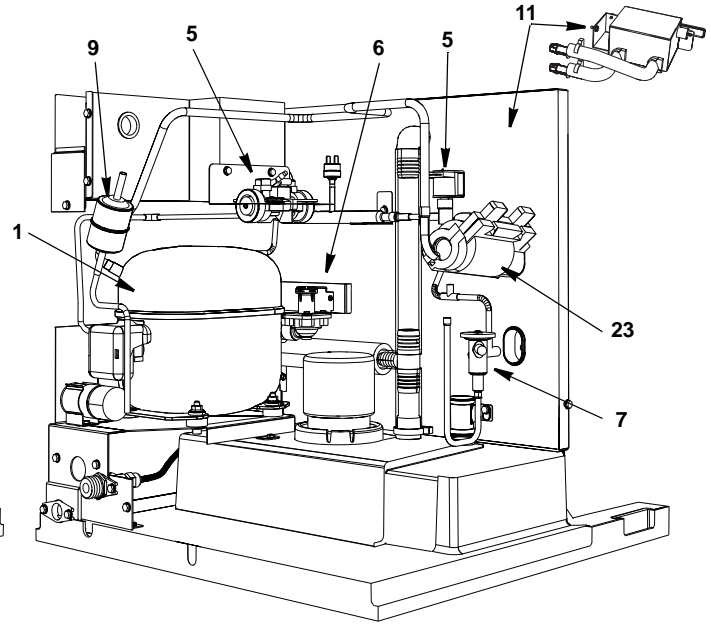
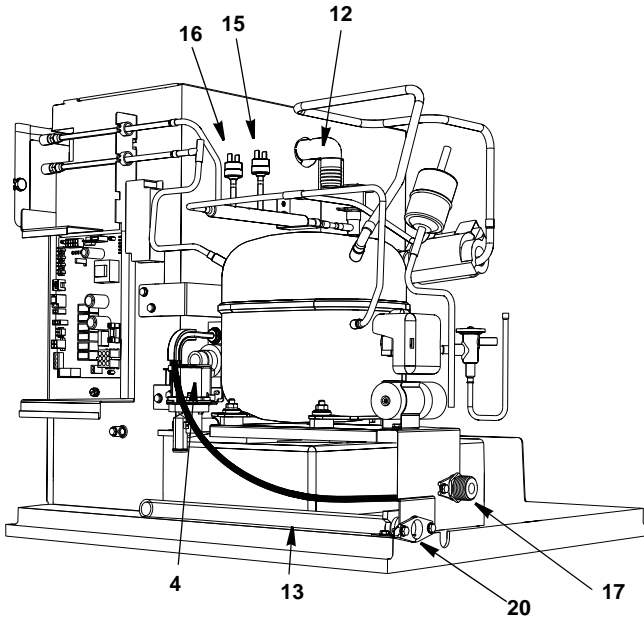
## i322 EVAPORATOR COMPARTMENT - COMMON COMPONENTS



### DESCRIPTION

	<b>PART NO.</b>
<b>1 Evaporator Assembly</b>	
a. Dice Cube . . . . .	76-0287-9
b. Half Dice Cube . . . . .	76-0288-9
<b>2 Water Pump</b>	
a. 115V/60 Hz 1PH . . . . .	20-0767-9
b. 230V/60 Hz 1/3PH . . . . .	20-0766-9
c. 230/50/1 . . . . .	20-0765-9
<b>3 Water Level Probe</b>	
a. Wire, control box to probe (Not shown). . . . .	000007052
b. Holder . . . . .	000007053
c. Screw (Mount Water Level Probe Holder) . . . . .	52-0209-9
4 Ice Thickness Control Probe . . . . .	000008660
5 Water Curtain (Not shown) . . . . .	40-1118-9
6 Water Distribution Tube Assembly . . . . .	76-0219-3
a. O-Rings (Back of Distribution Assembly) . . . . .	50-0464-9
7 Water Trough . . . . .	40-0914-9
8 Foodzone Seal Panel . . . . .	000007777
9 Evaporator Top Filler Panel . . . . .	606538-9
a. Stainless Steel Clamp . . . . .	606333-9
b. Clamp Screw . . . . .	52-0209-9
10 Evaporator Top Frame Assembly . . . . .	76-0279-9
11 Water Diverter . . . . .	76-0221-3
a. Thumbscrew . . . . .	53-0512-3
12 LCD Display . . . . .	000006728
13 Touch Pad with Housing . . . . .	000007926
14 LCD Wiring Harness (Not shown) . . . . .	000007828
15 Touch Pad/Housing Mounting Bracket . . . . .	000006697
16 Key Guard (Not shown) . . . . .	000006647
<b>Miscellaneous – Brackets, Screws, etc.</b>	
17 Screw, (Water Distribution Tube Mounting) Each . . . . .	50-0479-9
a. O-Ring . . . . .	50-0462-9
18 Screw, #12-16 x .687 Used to Mount Evaporator (Each) . . . . .	50-0461-9
19 Water Pump Base O-Ring . . . . .	50-0465-9
20 Water Pump Outlet O-Ring . . . . .	50-0467-9

# i322 REFRIGERATION COMPARTMENT – COMMON PARTS

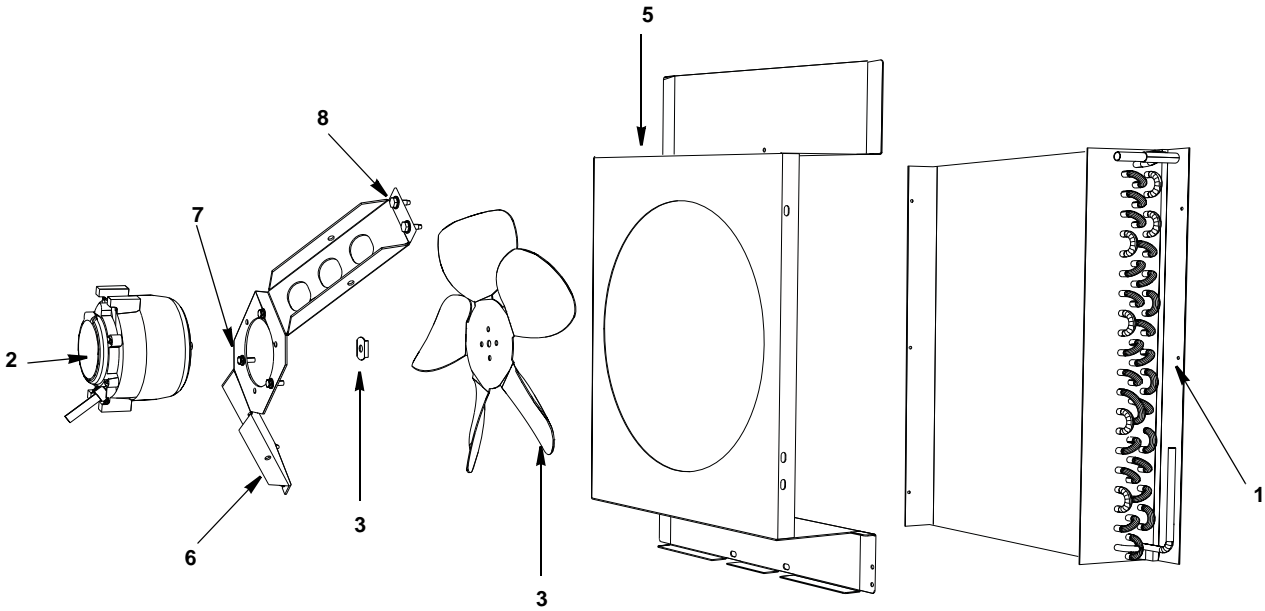


## DESCRIPTION

## PART NO.

<b>1</b>	<b>Compressor</b>	
	a. 115V/60 HZ/1ph	76-0134-3
	b. 208-230V/50-60 HZ/1ph	76-0135-3
<b>2</b>	<b>Start Relay</b>	
	a. 115V/60 HZ/1ph	82-5103-3
	b. 208-230V/50-60 HZ/1ph	20-0224-3
	c. Cover	82-5101-3
<b>3</b>	<b>Start Capacitor</b>	
	a. 115V/60 HZ/1ph	82-5102-3
	b. 208-230V/50-60 HZ/1ph	85-0443-3
<b>4</b>	<b>Water Dump Valve (with bracket)</b>	
	a. 115V/60 Hz	20-0870-9
	b. 208-230V/50-60 Hz	20-0871-9
	c. Mounting Bracket	605845-9
	d. Dump Valve Tubing 3.25 inches	44-2038-3
<b>5</b>	<b>Harvest Valve</b>	
	a. Harvest Valve Including 115V/60 Hz Electrical Coil	000007035
	b. Harvest Valve 115V Coil Only Danfoss	000005156
	c. Harvest Valve Including 208/230V 50/60 Hz Electrical Coil	000007034
	d. Harvest Valve 208/230V Coil Only Danfoss	000005157
<b>6</b>	<b>Water Inlet Valve</b>	
	a. Water Inlet Valve Including 115V/60 Hz Coil	000000375
	b. Water Inlet Valve Including 208-230V/50-60 Hz Coil	000000376
	c. Water Inlet Valve Bracket	000007594
<b>7</b>	<b>Expansion Valve</b>	
	a. Expansion Valve Body Insulation Boot	76-0289-3
	b. Expansion Valve Bulb Insulation Boot	40-0036-3
		40-0720-3
<b>8</b>	<b>Thermistors with Spring Clips</b>	000008310
<b>9</b>	<b>Drier</b>	89-3025-9
<b>10</b>	<b>Air Assist</b>	
	a. 115V with brackets	000007222
	b. 230V with brackets	000007223
	c. Manifold Tee (Air Pump Tubing Outlet)	40-1173-9
	d. Bracket	000006489
	e. Nozzle	30-0145-3
<b>11</b>	<b>Luminlce</b>	K00424
	a. Luminlce Bulb	K00425
<b>12</b>	<b>Insulated Tube (vinyl tubing from distribution tube to water pump &amp; dump valve)</b>	000003404
	a. Clamp 0.859/0.989 ID	56-5060-3
	b. Clamp 0.799/0.899 ID	56-5070-3
<b>13</b>	<b>Vinyl Tubing 0.625 ID (dump valve to drain adapter)</b>	000001382
	a. Insulation	603883-1
	b. Clamp	56-5070-9
<b>14</b>	<b>Manifold Strainer</b>	000008364
	a. Bracket	605857-1
<b>15</b>	<b>High Pressure Cut-out (Auto Reset)</b>	20-0124-3
<b>16</b>	<b>Fan Cycle Control</b>	20-0126-3
<b>Miscellaneous – Brackets, Screws, etc.</b>		
<b>17</b>	<b>Water Inlet Wing Adapter</b>	87-0609-3
	a. Adapter Plastic Fitting	13-6096-1
<b>18</b>	<b>Water Inlet Valve Tubing</b>	40-1043-9
	a. Elbow Tube	00000288
<b>19</b>	<b>Connector Water Inlet Valve</b>	13-6098-9
<b>20</b>	<b>Water Drain Wing Adapter</b>	87-0613-3
<b>21</b>	<b>Compressor Mounting</b>	
	a. Base	606026-9
	b. Rubber Grommet	† 85-0306-9
	c. Sleeve	85-0394-9
	d. Bolt	50-0481-9
	e. Nut	50-0482-9
<b>22</b>	<b>Clamp, Expansion Valve Bulb</b>	56-5052-9
<b>23</b>	<b>Copper Bulb Strap</b>	30-0050-3
<b>24</b>	<b>Screw, #10-24 x .50</b>	52-0206-9

## i322 REFRIGERATION COMPARTMENT – AIR-COOLED



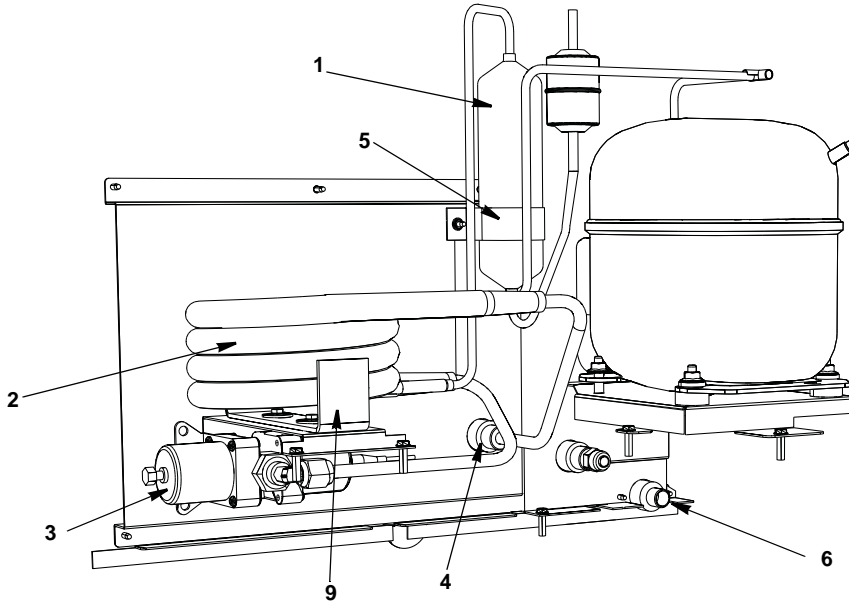
**DESCRIPTION**

	<b>PART NO.</b>
1 Air Condenser .....	82-5212-9
2 Fan Motor	
a. 115V/60 Hz .....	24-1281-3
b. 208-230V/60 Hz or 230V/50 Hz .....	24-1282-3
3 Fan Blade.....	24-1622-3
4 Speed Nut .....	54-7507-3

**Miscellaneous – Brackets, Screws, etc.**

5 Fan Shroud .....	606546-9
6 Fan Motor Bracket .....	602743-1
7 Fan Motor Mounting Screw .....	50-2559-9
8 Fan Bracket Mounting Screw.....	52-0206-9
9 Shroud & Condenser Screws, #10-24 x .50.....	52-0206-9

## i322 REFRIGERATION COMPARTMENT – WATER-COOLED



**DESCRIPTION**

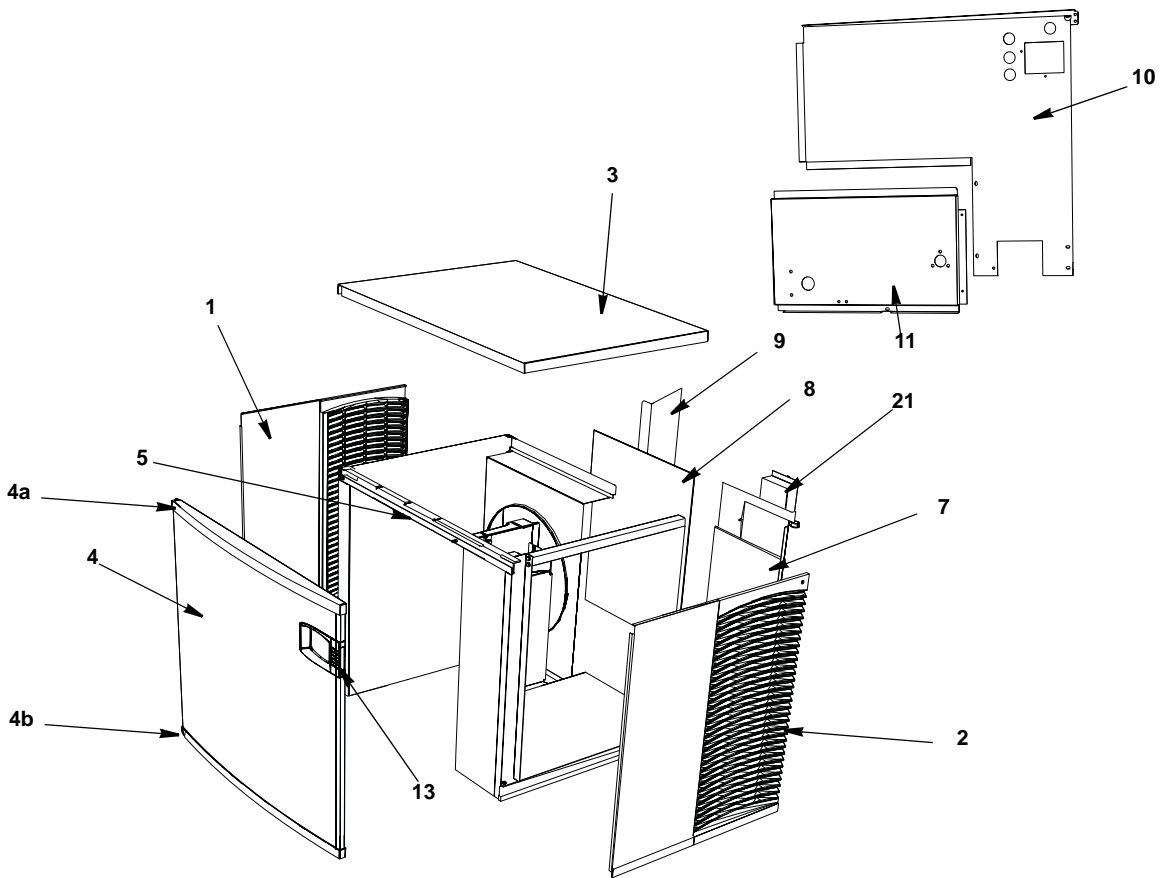
	<b>DESCRIPTION</b>	<b>PART NO.</b>
1	Receiver . . . . .	12-0003-1
2	Water-cooled Condenser . . . . .	000000045
3	Water Regulating Valve . . . . .	000007546
4	Condenser Water Drain Female Wing Adapter . . . . .	87-0608-3

**Miscellaneous – Brackets, Screws, etc.**

5	Receiver Strap . . . . .	600054-1
6	Elbow 3/8 MF x 3/8 MPT . . . . .	50-0215-9
7	Screw, #10-24 x .50 . . . . .	52-0206-3
8	Washer . . . . .	55-7341-9
9	Base, Water Condenser/Receiver . . . . .	605865-9

† Refer to Cross Reference Guide

# i322 PANELS



**DESCRIPTION**

	<b>DESCRIPTION</b>	<b>PART NO.</b>
1	Left Side Panel . . . . .	00005217
2	Right Side Panel . . . . .	00005215
3	Top Cover . . . . .	00007768
4	Front Panel Assembly . . . . .	00006579
	a. Top Endcap . . . . .	00006560
	b. Bottom Endcap . . . . .	00006565
5	Front Top Support . . . . .	00007765
	Mounting Screw Left Side 8-32 x 1 . . . . .	50-0537-9
	Mounting Screw Right Side 10-24 x .50 . . . . .	50-0509-9
6	Back Coupling Panel, Drain/Water Connection (Compressor Base) . . . . .	606026-9
<b>Air-Cooled Back Panels</b>		
7	Back Panel with Electrical Connection Box, Air-cooled Models . . . . .	00008621
8	Air Filter . . . . .	30-0569-9
9	Air Baffle Assembly . . . . .	00007314
<b>Water-Cooled Back Panels</b>		
10	Back Panel with Electrical Connection Box . . . . .	00008622
11	Back Coupling Panel, Water-Cooled . . . . .	00008022
12	Drain Fitting . . . . .	87-0608-3
<b>Miscellaneous – Brackets, Screws, etc.</b>		
13	Front Panel LCD Frame . . . . .	00007046
14	Right/Left Door Screw . . . . .	50-0489-9
15	Bottom Door Frame . . . . .	76-0282-9
	a. Mounting Screw Left Side 8-32 x 1 PHIL . . . . .	50-0537-9
	b. Mounting Screw Right Side 10/24 x .50 PHIL . . . . .	52-0209-9
16	Door Catch Bracket (RHD) . . . . .	606236-9
	a. Mounting Screw 8-32 x .50 Phil . . . . .	50-2624-9
17	Left Door Pivot Leaf Hinge (Top or Bottom) . . . . .	30-0557-9
	a. Mounting Screw 8-32 x 1 PHIL . . . . .	50-0537-9
18	Left Top Channel . . . . .	606864-9
19	Right Top Channel . . . . .	607145-1
20	Left Corner Post . . . . .	606293-9
21	Electrical Connection Box Cover . . . . .	Included in Back Panel Assembly
<b>22</b>	<b>Electrical Box on Rear of Ice Machine</b>	
	a. Box . . . . .	Included in Back Panel Assembly
	b. Terminal Block 1 Pole . . . . .	20-0659-9
	c. Groundscrew #10-24 x .50 . . . . .	52-0216-9