



## **Ice Machine Parts List for Series i-600 Models**

**iD0602A**

**iY0604A**

**iD0603W**

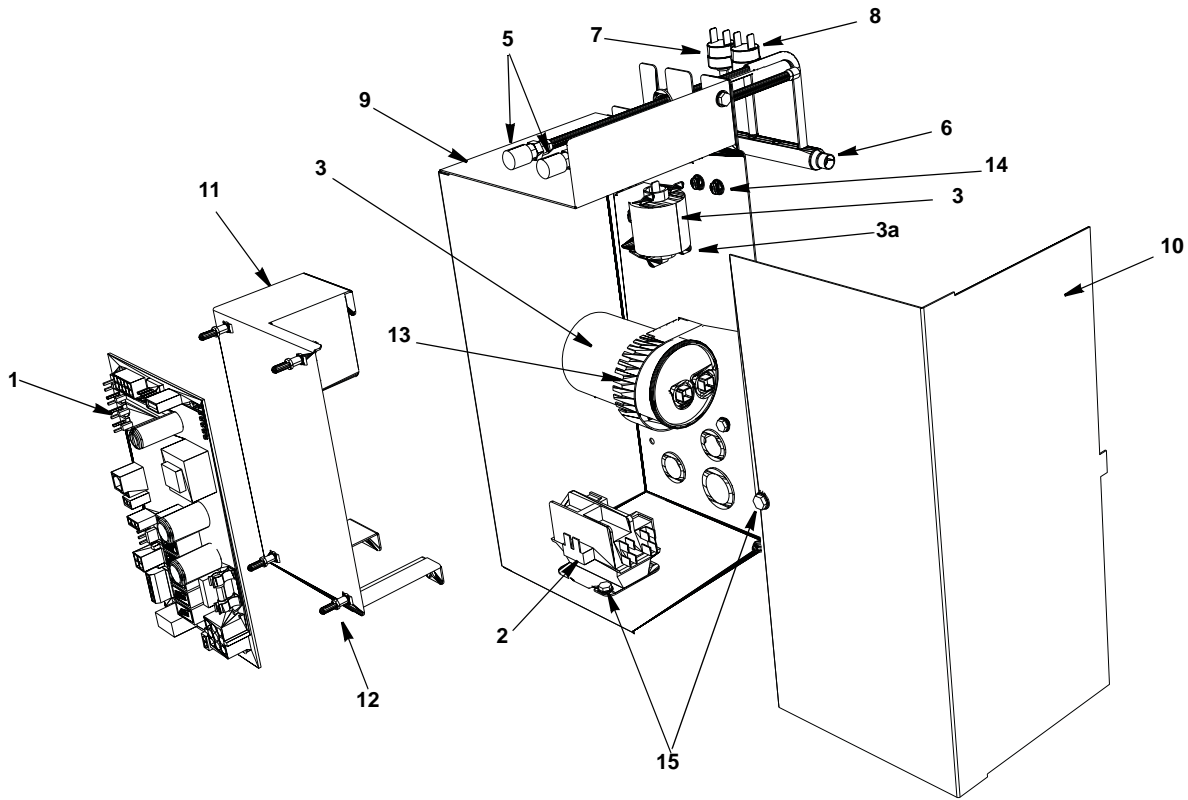
**iY0605W**

**iD0692N**

**iY0694N**

**JC0895**

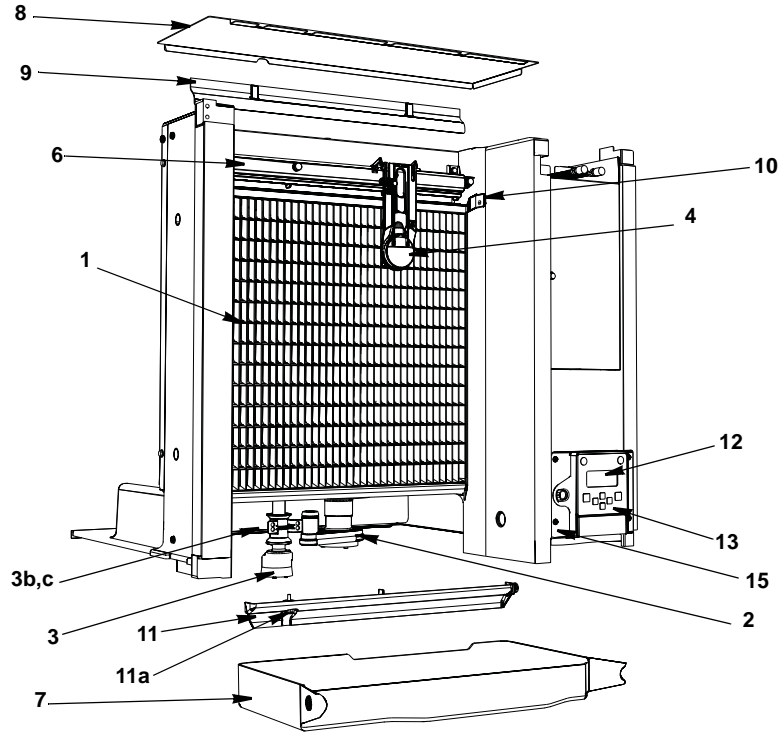
# i600 CONTROL BOX



## DESCRIPTION

	<b>PART NO.</b>
1 Control Board (for use with all voltages) .....	000008309
a. 8 amp Ceramic Fuse – Mounted on Control Board. ....	000008240
2 <b>Contactor</b>	
a. 208-230V/60 Hz/1ph or 230V/50 Hz/1ph .....	20-0659-9
3 <b>PTCR Compressor Starter</b> .....	85-0499-3
a. Bracket .....	85-0501-3
4 <b>Compressor Run Capacitor</b>	
a. 208-230V/60 Hz/1ph .....	25-0393-3
b. 208-230V/50 Hz/1ph .....	85-0400-3
5 Refrigeration Service Valve Assembly .....	83-7326-3
6 Manifold Strainer .....	82-5104-9
a. Bracket .....	605857-1
7 High Pressure Cut-out (Auto Reset) .....	20-0124-3
8 Fan Cycling Control .....	† 20-0126-3
<b>Miscellaneous – Brackets, Screws, etc.</b>	
9 Control Box .....	000007563
10 Control Box Cover .....	000007569
11 Control Board Mounting Bracket .....	000007564
12 Control Board Mounting Supports .....	43-0225-3
13 Capacitor Mounting Strap .....	602495-3
14 Screws, #10-24 x .50 Ground .....	52-0216-9
a. Star Washer .....	55-7320-9
b. Screw, #10-24 x .50 .....	52-0206-9
16 Lockwashers .....	55-7320-9
17 Control Box Bushings	
a. Large (1) .....	25-0001-9
b. Small (4) .....	25-0140-9
18 <b>Control Box Wiring Harness (Not shown)</b>	
a. 230/60/1 .....	000007179
b. 230/50/1 .....	000007180
19 <b>Compressor Compartment Wiring Harness (Not shown)</b>	
a. Air-cooled .....	000007185
b. Water-cooled .....	000007177
c. Remote Air-cooled .....	000007184

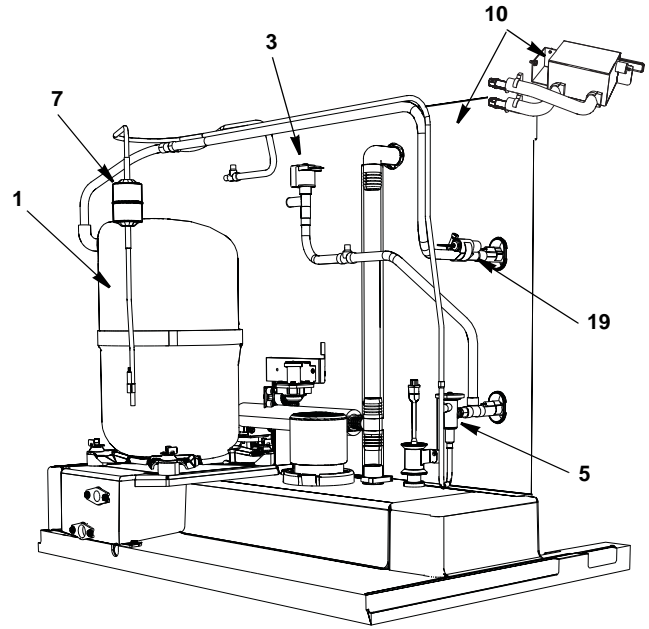
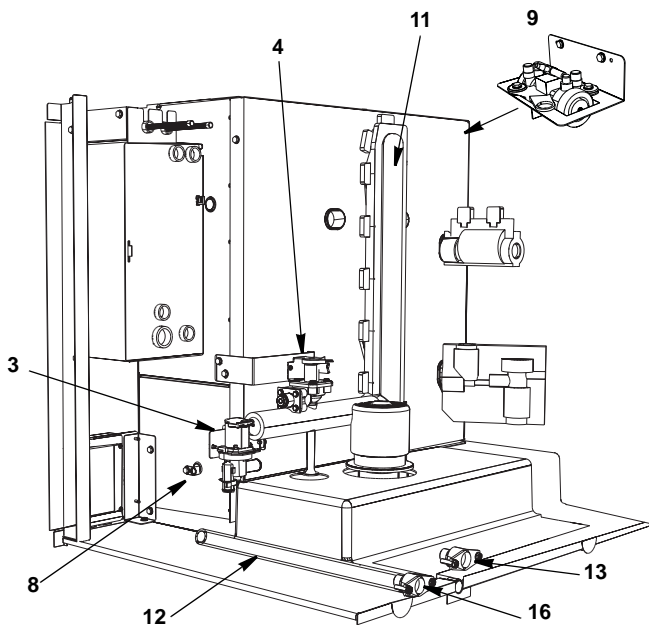
## i600 EVAPORATOR COMPARTMENT - COMMON COMPONENTS



### DESCRIPTION

DESCRIPTION	PART NO.
1 <b>Evaporator Assembly</b>	
a. Dice Cube . . . . .	76-0283-9
b. Half Dice Cube . . . . .	76-0284-9
2 <b>Water Pump</b>	
a. 230V/60 Hz 1/3PH . . . . .	20-0739-9
b. 230/50/1 . . . . .	82-5210-9
3 <b>Water Level Probe</b> . . . . .	000007052
a. Wire, control box to probe (Not shown) . . . . .	000007099
b. Holder . . . . .	000007053
c. Screw (Mount Water Level Probe Holder) . . . . .	52-0209-9
4 Ice Thickness Control Probe . . . . .	000008660
5 Water Curtain (Not shown) . . . . .	40-1097-9
6 Water Distribution Tube Assembly . . . . .	76-0219-3
a. O-Rings (Back of Distribution Assembly) . . . . .	50-0464-9
7 Water Trough . . . . .	40-0360-9
8 Foodzone Seal Panel . . . . .	000007613
9 Evaporator Top Filler Panel . . . . .	40-0846-9
a. Stainless Steel Clamp . . . . .	606333-9
b. Clamp Screw . . . . .	52-0209-9
10 Evaporator Top Frame Assembly . . . . .	76-0220-3
11 Water Diverter . . . . .	76-0221-3
a. Thumbscrew . . . . .	53-0512-3
12 LCD Display . . . . .	000006728
13 Touch Pad with Housing . . . . .	000007926
14 LCD Wiring Harness (Not shown) . . . . .	000007828
15 Touch Pad/Housing Mounting Bracket . . . . .	000006697
16 Ice Deflector (Not shown) . . . . .	000006700
<b>Miscellaneous – Brackets, Screws, etc.</b>	
17 Screw, (Water Distribution Tube Mounting) Each . . . . .	50-0479-9
a. O-Ring . . . . .	50-0462-9
18 Screw, #12-16 x .687 Used to Mount Evaporator (Each) . . . . .	50-0461-9
19 Water Pump Base O-Ring . . . . .	50-0465-9
20 Water Pump Outlet O-Ring . . . . .	50-0467-9

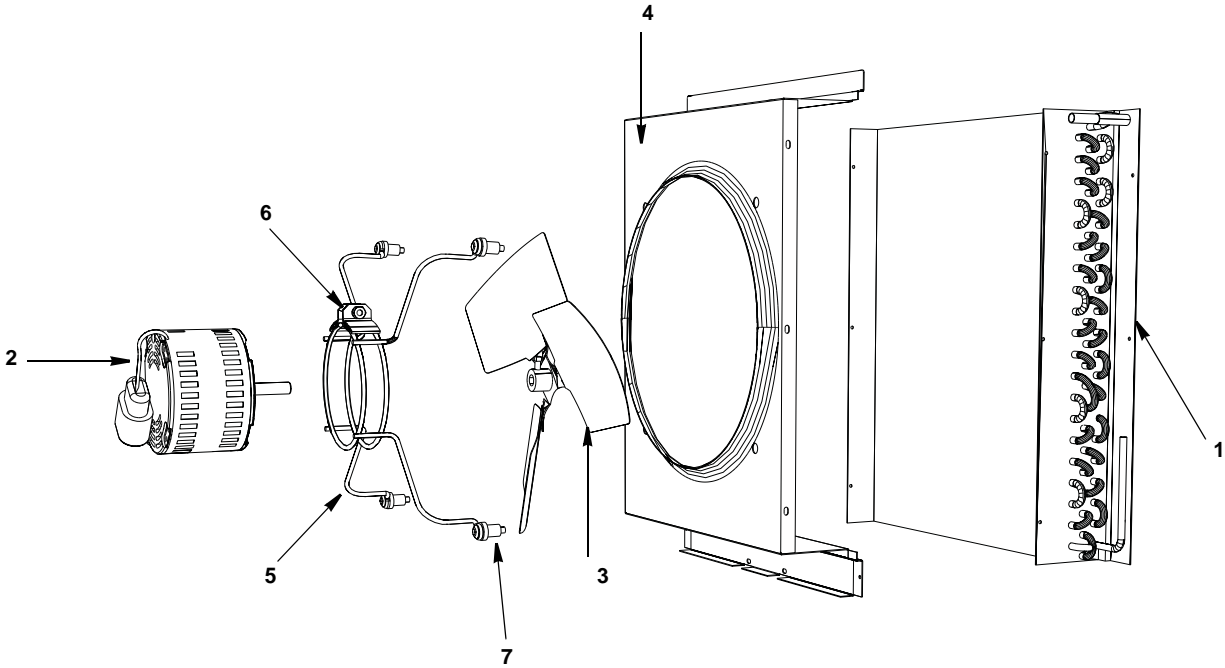
# i600 REFRIGERATION COMPARTMENT – COMMON PARTS



## DESCRIPTION

	DESCRIPTION	PART NO.
1	<b>Compressor</b>	
	a. 208-230V/50-60 Hz/1 Ph. ....	76-0291-3
	b. Molded Plug ....	20-0623-3
2	<b>Water Dump Valve (with bracket)</b>	
	a. 208-230V/50-60 Hz. ....	000001768
	b. Mounting Bracket ....	605845-9
	c. Dump Valve Tubing 3.25 inches ....	44-2038-3
3	<b>Harvest Valve</b>	
	a. Harvest Valve Including 208/230V 50/60 Hz Electrical Coil ....	000007026
	b. Harvest Valve 208/230V Coil Only Danfoss ....	000005157
4	<b>Water Inlet Valve</b>	
	a. Water Inlet Valve Including 208-230V/50-60 Hz Coil ....	000007966
	b. Water Inlet Valve Bracket ....	000007594
5	<b>Expansion Valve</b>	
	a. Air-cooled ....	76-0158-3
	a. Water-cooled & Remote ....	76-0019-3
	a. Expansion Valve Body Insulation Boot ....	40-0036-3
	b. Expansion Valve Bulb Insulation Boot. ....	40-0720-3
6	<b>Thermistors with Spring Clips</b> ....	000008310
7	<b>Drier</b>	
	a. Air & Water-cooled ....	89-3025-9
	b. Remote ....	89-3027-9
8	<b>Magnetic Bin Switch</b> ....	000007710
	a. Wiring Harness ....	000007410
9	<b>Air Assist 230V with brackets.</b> ....	000007223
	a. Manifold Tee (Air Pump Tubing Outlet) ....	40-1173-9
	b. Bracket ....	000006489
	c. Nozzle ....	30-0145-3
10	<b>LuminIce.</b> ....	K00424
	a. LuminIce Bulb ....	K00425
	b. LuminIce Wiring Harness ....	000007409
11	<b>Insulated Tube (vinyl tubing from distribution tube to water pump &amp; dump valve).</b> ....	000003405
	a. Clamp 0.859/0.989 ID. ....	56-5060-3
	b. Clamp 0.799/0.899 ID. ....	56-5070-3
12	<b>Vinyl Tubing 0.625 ID (dump valve to drain adapter).</b> ....	000001382
	a. Insulation. ....	603883-1
	b. Clamp ....	56-5070-9
	<b>Miscellaneous – Brackets, Screws, etc.</b>	
13	Water Inlet Wing Adapter. ....	87-0609-3
	a. Adapter Plastic Fitting. ....	13-6096-1
14	Water Inlet Valve Tubing ....	40-1043-9
15	Connector Water Inlet Valve ....	13-6098-9
16	Water Drain Wing Adapter. ....	87-0613-3
17	<b>Compressor Mounting</b>	
	a. Base ....	606170-9
	b. Rubber Grommet ....	† 85-0306-9
	c. Sleeve ....	85-0394-9
	d. Bolt ....	50-0481-9
	e. Nut. ....	50-0482-9
18	Clamp, Expansion Valve Bulb ....	56-5052-9
19	Copper Bulb Strap ....	30-0050-3
20	Screw, #10-24 x .50. ....	52-0206-9

## i600 Refrigeration Compartment – Air-Cooled



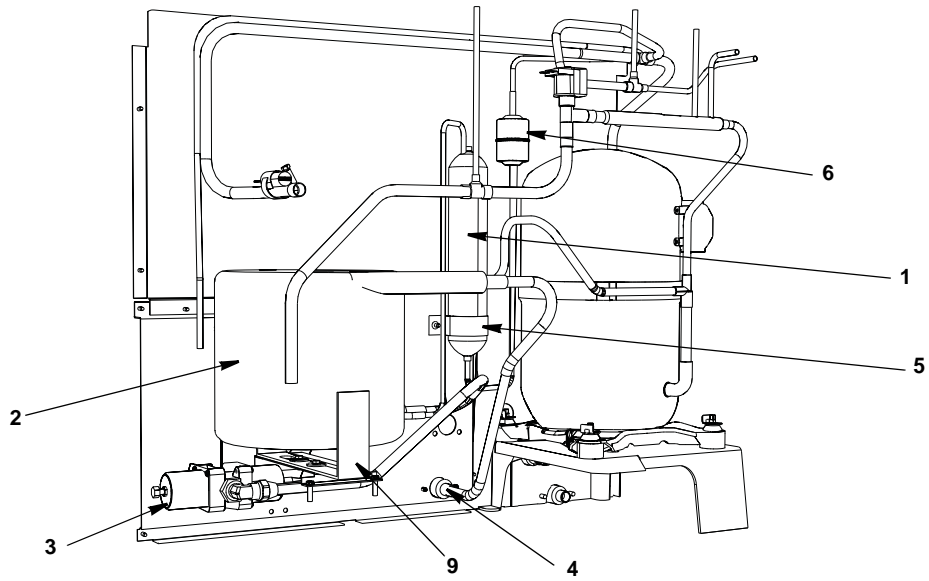
### DESCRIPTION

	DESCRIPTION	PART NO.
1	Air Condenser .....	82-5294-9
2	Fan Motor	
	a. 208-230V/60 Hz or 230V/50 Hz .....	000002315
3	Fan Blade.....	24-1617-3

### Miscellaneous – Brackets, Screws, etc.

4	Fan Shroud .....	000002485
5	Fan Motor Bracket .....	606186-9
6	Fan Motor Mounting Screw .....	† 50-3358-9
	a. Fan Motor Mounting Lockwasher .....	† 55-4510-9
	b. Fan Motor Mounting Hexnut .....	† 54-2952-9
7	Fan Bracket Mounting	
	a. Screw .....	50-3238-9
	b. Lockwasher.....	† 55-4510-9
	c. Flatwasher .....	† 55-7305-9
	d. Rubber Wellnut .....	† 54-2955-9
8	Screw, #10-24 x .50 .....	† 52-0206-9

# i600 REFRIGERATION COMPARTMENT – WATER-COOLED



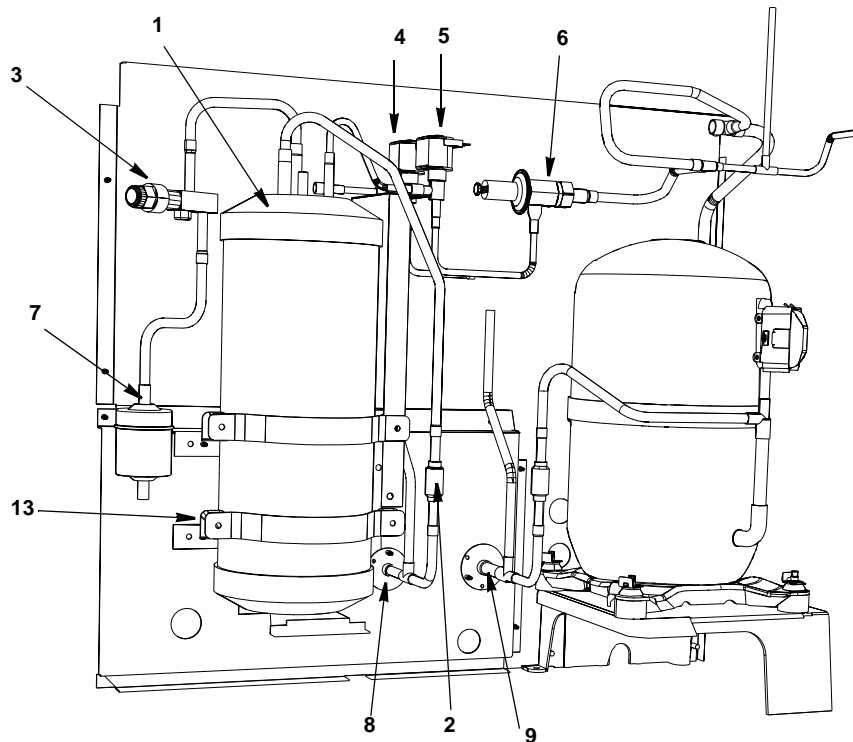
**DESCRIPTION**

	<b>PART NO.</b>
1 Receiver . . . . .	12-0003-1
2 Water-cooled Condenser . . . . .	82-5303-9
3 Water Regulating Valve . . . . .	82-5282-9
a. Bracket . . . . .	000007695
4 Condenser Water Drain Female Wing Adapter . . . . .	87-0608-3

**Miscellaneous – Brackets, Screws, etc.**

5 Receiver Strap . . . . .	600054-1
6 Elbow 3/8 MF x 3/8 MPT . . . . .	50-0215-9
7 Screw, #10-24 x .50 . . . . .	52-0206-3
8 Washer . . . . .	55-7341-9
9 Base, Water Condenser/Receiver . . . . .	605865-9

## i600 REFRIGERATION COMPARTMENT – REMOTE



### DESCRIPTION

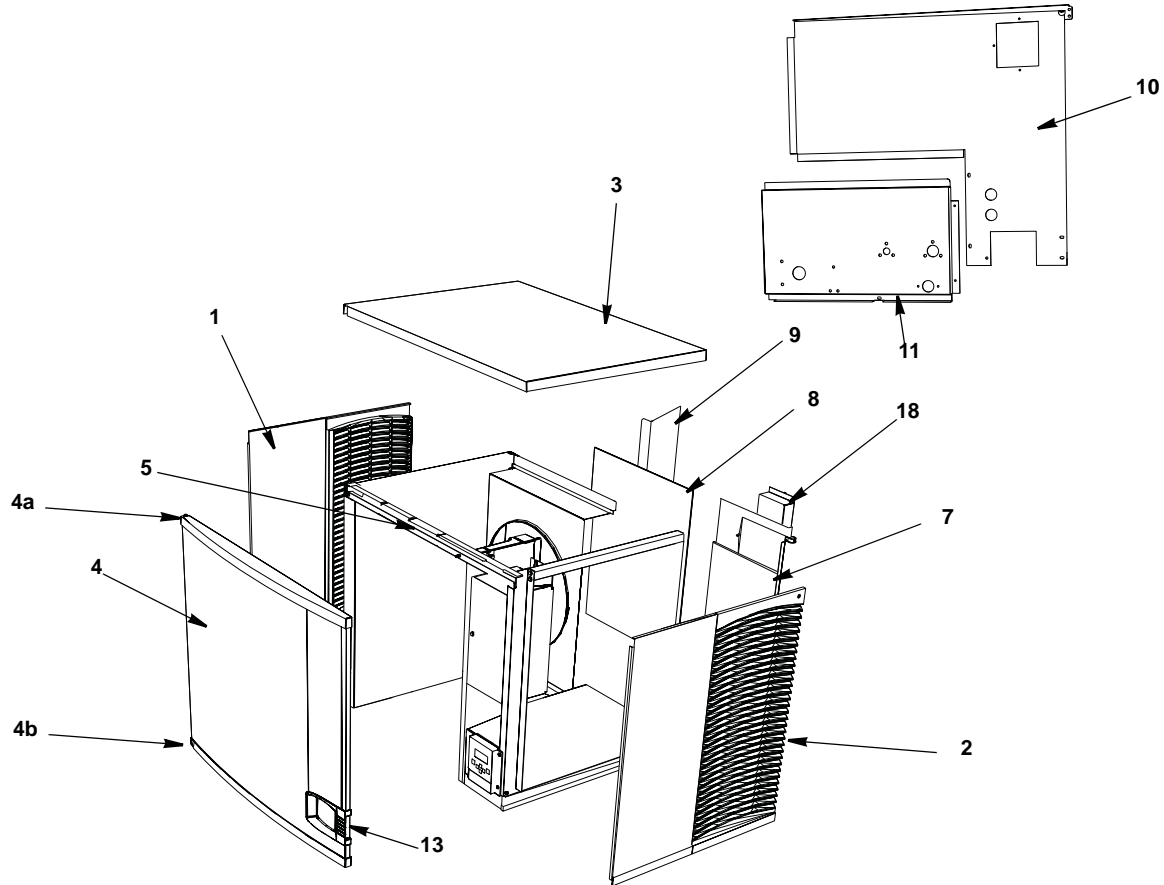
		<b>PART NO.</b>
1	Receiver . . . . .	82-5058-3
2	Magni-Check Valve . . . . .	† 83-7314-9
3	Refrigeration Service Valve . . . . .	† 83-7316-9
	a. Cap for Refrigeration Service Valve . . . . .	56-5075-9
4	<b>Harvest Pressure Regulating Solenoid (HPR) Valve</b>	
	a. HPR Valve Including 230V 50-60 Hz Electrical Coil (Danfoss) . . . . .	000007034
	b. HPR Valve 230V 50-60 Hz Coil Only Danfoss . . . . .	000005157
5	<b>Liquid Line Solenoid (LLS) Valve</b>	
	a. LLS Valve Including 230V 50-60 Hz Electrical Coil (Danfoss) . . . . .	000002339
	b. LLS Valve 230V 50-60 Hz Coil Only Danfoss . . . . .	000005157
6	Harvest Pressure Regulating Valve (HPR) . . . . .	† 83-6779-3
7	Drier . . . . .	89-3027-9
8	Coupling – Male, 5/8-18 . . . . .	† 83-6034-3
9	Coupling – Male, 1-1/6-12 . . . . .	† 83-6035-3

### Miscellaneous – Brackets, Screws, etc.

10	Coupling Mounting Flange for 5/8-18 . . . . .	83-6005-3
11	Coupling Mounting Flange for 1-1/16-12 . . . . .	83-6006-3
12	Drier Support Bracket . . . . .	56-5061-9
13	Receiver Mounting	
	a. Bracket (between receiver and panel) . . . . .	600056-1
	b. Strap . . . . .	630721-4
	c. Support Bracket . . . . .	000006721
	d. Base . . . . .	605865-9
	e. Screw, #10-24 x .50 . . . . .	† 52-0206-9

† Refer to Cross Reference Guide

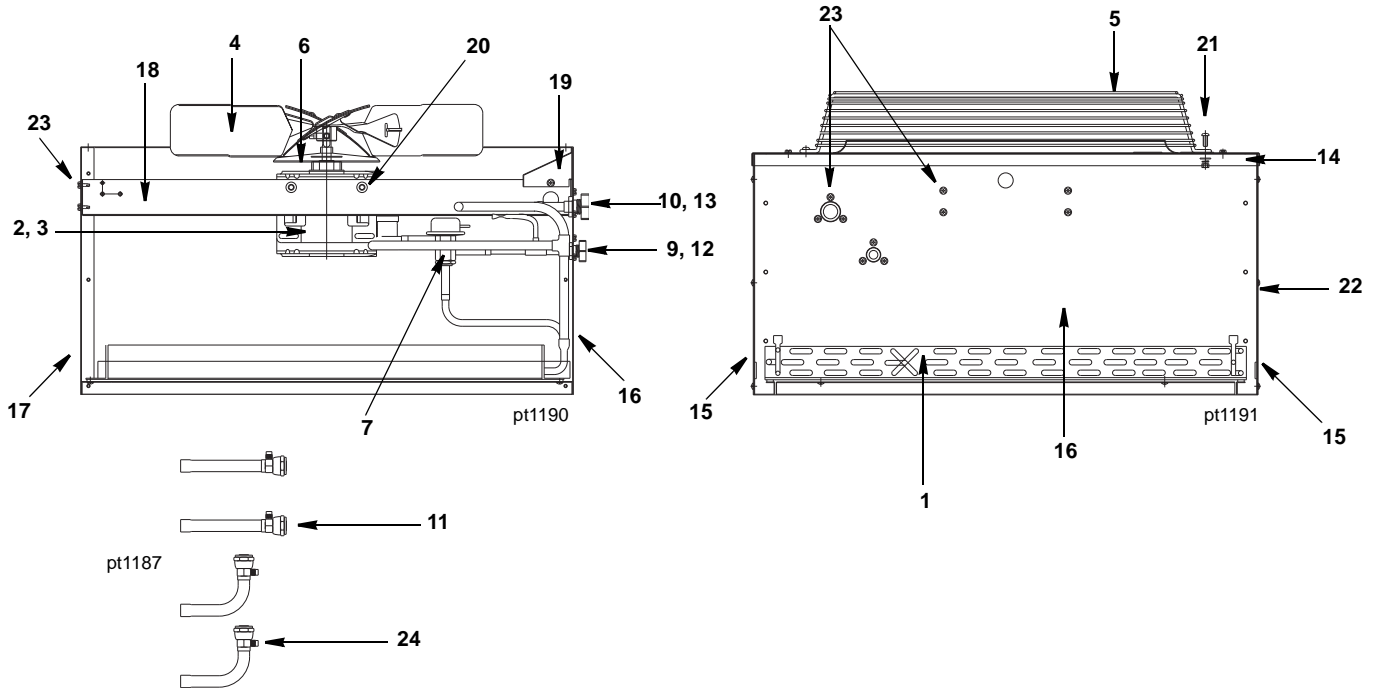
# i600 PANELS



**DESCRIPTION**

	<b>PART NO.</b>
1 Left Side Panel . . . . .	000005217
2 Right Side Panel . . . . .	000005215
3 Top Cover . . . . .	000006699
4 Front Panel Assembly . . . . .	000006577
a. Top Endcap . . . . .	000006538
b. Bottom Endcap . . . . .	000006539
5 Front Top Support . . . . .	000006730
Mounting Screw Left Side 8-32 x 1 . . . . .	50-0537-9
Mounting Screw Right Side 10-24 x .50 . . . . .	50-0509-9
6 Back Coupling Panel, Drain/Water Connection (Compressor Base) . . . . .	606170-9
<b>Air-Cooled Back Panels</b>	
7 Back Panel with Electrical Connection Box, Air-cooled Models . . . . .	606595-9
8 Air Filter . . . . .	30-0568-9
9 Air Baffle Assembly . . . . .	000007314
<b>Water-Cooled &amp; Remote Air-Cooled Back Panels</b>	
10 Back Panel with Electrical Connection Box . . . . .	607207-1
11 Back Coupling Panel, Water-Cooled/Remote Connections . . . . .	606173-9
12 Drain Fitting . . . . .	87-0608-3
<b>Miscellaneous – Brackets, Screws, etc.</b>	
13 Front Panel LCD Frame . . . . .	000006564
14 Right/Left Door Screw . . . . .	50-0489-9
15 Bottom Door Frame . . . . .	76-0226-3
a. Mounting Screw Left Side 8-32 x 1 PHIL . . . . .	50-0537-9
b. Mounting Screw Right Side 10/24 x .50 PHIL . . . . .	52-0209-9
16 Door Catch Bracket (RHD) . . . . .	606236-9
a. Mounting Screw 8-32 x .50 Phil . . . . .	50-2624-9
17 Left Door Pivot Leaf Hinge (Top or Bottom) . . . . .	30-0557-9
a. Mounting Screw 8-32 x 1 PHIL . . . . .	50-0537-9
18 Left Top Channel . . . . .	606864-9
19 Right Top Channel . . . . .	606257-9
20 Left Corner Post . . . . .	606293-9
21 Right Corner Post . . . . .	606292-9
22 Electrical Connection Box Cover . . . . .	Included in Back Panel Assembly
<b>23 Electrical Box on Rear of Ice Machine</b>	
a. Box . . . . .	Included in Back Panel Assembly
b. Terminal Block 3 Pole . . . . .	20-0614-3
c. Groundscrew #10-24 x .50 . . . . .	52-0216-9

# JC0895 REMOTE CONDENSER



## DESCRIPTION

	PART NO.
1 Air Condenser	† 88-5062-9
2 Fan Motor (208-230V 50/60 Hz/1 Ph)	† 76-2941-3
3 Fan Motor Run Capacitor (Emerson)	85-0458-3
3 Fan Motor Run Capacitor (Magnatec)	No Longer Available
4 Fan Blade	24-1611-3
5 Fan Guard	34-0064-3
6 Rain Slinger	24-1505-3
7 Head Pressure Control	000004070
8 Terminal Block	000008040
9 Coupling – Male, 5/8-18	† 83-6034-3
10 Coupling – Male, 1-1/6-12	† 83-6035-3
11 Female Line Set Coupling Kit (Sold as Finished Goods Sales Kit)	Sales K0129

## Miscellaneous – Brackets, Screws, etc.

12 Coupling Mounting Flange (for 5/8-18)	83-6005-3
13 Coupling Mounting Flange (for 1-1/16-12)	83-6006-3
14 Top Cover	† 601775-1
15 Panel – Side	† 601774-1
16 Panel – Rear	† 601773-1
17 Panel – Front	† 601772-1
18 Fan Motor Mounting Bracket	† 601768-1
19 Electrical Box Cover	† 601776-1
20 <b>Fan Motor Mounting Screw</b> (5/16-18 x 5/8)	† 50-3565-9
a. Fan Motor Mounting Flatwasher	† 55-7309-9
b. Fan Motor Mounting Lockwasher	† 55-7313-9
c. Fan Motor Mounting Hexnut	54-2975-9
21 <b>Fan Guard Mounting Screw</b> (1/4-20 x 5/8)	† 50-3345-9
a. Fan Guard Mounting Flatwasher	† 55-7304-9
b. Fan Guard Mounting Lockwasher	† 55-4511-9
c. Fan Guard Mounting Hexnut	† 54-2952-9
22 <b>Panel/Condenser Mounting Screw</b> (#8 x 1/2)	† 51-2153-9
a. Panel/Condenser Mounting Lockwasher	† 55-4459-9
23 Screw (#10-24 x 1/2)	† 52-0206-9
24 Valve Cores (used in linesets)	76-2684-3
25 Legs (Not shown) (4 Req.)	† 601769-1

† Refer to Cross Reference Guide