

Product Name	500mm Free Standing High-Power Wok	Quantity		Item #	
---------------------	------------------------------------	-----------------	--	---------------	--



Note: Induction cooking requires the use of induction compatible (i.e. magnetic) pots and pans.



Standard Features

- Floor or work table mounted classic modular design with stainless steel housing, heavy duty electronic components, and high-impact, high-temperature recessed glass-ceramic wok bowl engineered for true “back of the house” durability and strength
- Pan Maximizer feature achieves maximum heating of any induction compatible pan
- Microprocessor monitors vital components 120 times per second to check for overheating, power supply problems and more. Unit shuts off and displays error codes enabling user to diagnose and correct minor problems
- 208VAC model equivalent to 62,000 BTU; 400VAC model equivalent to 71,000 BTU
- LED bar-graph display for precise user feedback
- Simple control knob operation with 10 power cook settings for familiarity and ease of use
- Automatic pan detection allows for instant energy transmission to pan, and almost no energy use when pan is not present
- Automatic shut-off feature prohibits overheating
- Adjustable foot height range of 6-8” (15.24-20.32cm)
- Easy to clean glass-ceramic wok bowl
- Integral cooling fan keeps internal electronics cool
- Integral grease filter to ensure cleaner and cooler air intake

- Available in 7000 watts, 3 Phase (208VAC) and 8000 watts, 3 Phase (400VAC)
- One year limited warranty
- Made in the USA*

Specifications

Shall be a CookTek free standing modular induction wok unit, model _____ with a total kW rating of _____.

Unit shall be manufactured in the United States and constructed of a stainless steel housing, heavy duty electronic components, and a high-impact glass-ceramic wok bowl.

Unit shall be equipped with a built-in microprocessor that performs auto shut-off to prevent overheating, self-diagnostics, and a pan maximizer feature that ensures maximum heating of any induction compatible pan.

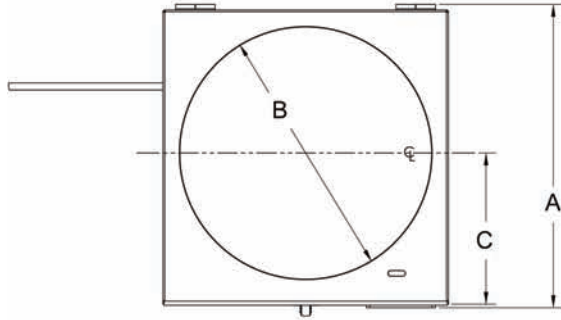
Unit shall have LED bar graph display for precise user feedback.

Unit shall operate on _____ power with integral _____ cord and plug (supplied).

*of USA and imported parts

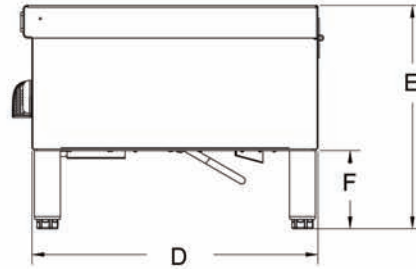
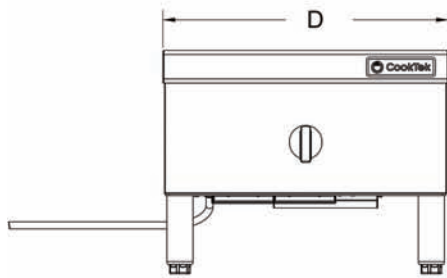
500mm FREE STANDING HIGH-POWER WOK

MWG7000-200XL, MWG8000-400XL

Dimensions		
	inches	mm
A	23.20	590
B	19.41	493
C	11.60	294
D	21.90	557
E	17.10	435
F*	6.00	152

* Feet are adjustable, height range is 6-8" (15.24-20.32cm)



- Dedicated circuit required
- Requires up to 140CFM (3.9m³/min) free air flow and maximum (do not exceed) ambient temperature of 50°C/122°F
- Cooling clearance: 2" (55mm) for front, sides, and rear



Specifications

Model Number	MWG7000-200	MWG8000-400
Power Requirements	196-220VAC, 3 Ph 4 wire	376-424VAC, 3 Ph 4 wire
Power Consumption	7000W (max)	8000W (max)
BTU Comparison	62,000 BTU	71,000 BTU
Voltage	196-220VAC, 50/60 Hz	376-424VAC, 50/60 Hz
Amperage	19.4A (max)	11.6A (max)
Power Range	100-7000W	100-8000W
Dimensions (in)	23.20" x 21.90" x 17.10"	23.20" x 21.90" x 17.10"
Dimensions (mm)	590 x 556 x 434	590 x 556 x 434
Weight	75.5 lbs / 34.2 kg	75.5 lbs / 34.2 kg
Packaged Weight	116.6 lbs / 52.9 kg	116.6 lbs / 52.9 kg
Packaged Dimensions (in)	28" x 25.5" x 15.5"	28" x 25.5" x 15.5"
Packaged Dimensions (mm)	711 x 648 x 394	711 x 648 x 394
Power Cord Length	6 ft / 1.8 m	6 ft / 1.8 m
Plug Type	NEMA L15-20P	Country Specific
Warranty	12 months limited parts and labor	12 months limited parts and labor

Note: Ambient air should not exceed 50°C/122°F. Dedicated circuit required. Many local codes exist, and it is the Owner and Installer's responsibility to comply with those codes. CookTek continually improves its products and reserves the right to change or improve specifications without notice.

CookTek Induction Systems, LLC
 156 N. Jefferson St. Ste 300
 Chicago, IL 60661-1436, USA
 www.cooktek.com

Tel: 1.312.563.9600 Fax: 1.312.432.6220
 Toll Free: 1.888.COOKTEK (266.5835)
 Toll Free Fax: 1.888.COOKFAX (266.5329)