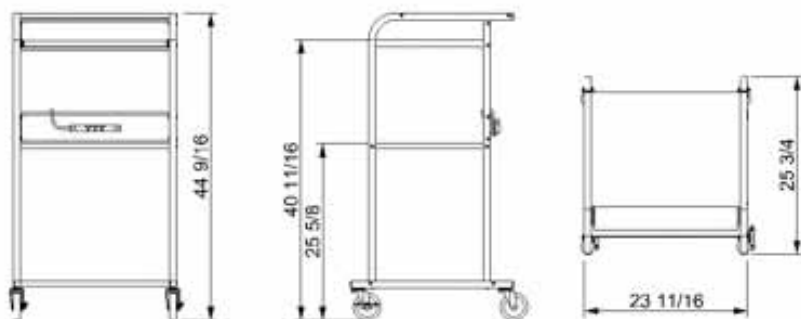


## STAND UP METAL WORKSTATION

- Four sheet metal shelves, one pulls out.
- Frame is 1" square, thick metal tube.
- Four 4" full swivel casters.
- 3-outlet, UL and CSA listed electrical assembly on PS30001E.
- Ideal for frequent mobility.



Steel Construction Makes This Unit Suitable For Industrial Environments



- PS3001 - 23 11/16"W x 25 3/4"D x 44 9/16"H 39 lbs. (No Electrical Assembly)
- PS3001E - 23 11/16"W x 25 3/4"D x 44 9/16"H 41 lbs. (With Electrical Assembly)

## METAL AV CARTS

- Roll formed shelves with powder coat paint finish.
- Tables are robotically arc welded.
- Cable pass through holes.
- 1/4" retaining lip around each shelf.



- 3-outlet, 15' UL and CSA listed electric assembly with cord plug snap.
- 4" ball bearing casters, two with locking brake.
- Big wheel models available.

## FIXED HEIGHT A/V CARTS

- Easy assembly - just put in the casters and attach the electrical assembly.



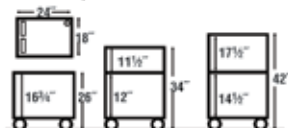
20 Gauge Steel Shelves  
14 Gauge Steel Legs

## ADJUSTABLE HEIGHT A/V CART

- Height adjusts from 36" to 54" in 1" increments
- Big wheel models available.
- Cabinet models have reinforced locking doors with full length piano hinges.



- AV42 - 24"W x 18"D x 42"H 42 lbs.
- AV34 - 24"W x 18"D x 34"H 41 lbs.
- AV26 - 24"W x 18"D x 26"H 31 lbs.



ATV56C - 28"W x 24"D x 36"-54"H 89 lbs.

ATV56 - 28"W x 24"D x 36"-54"H 58 lbs.