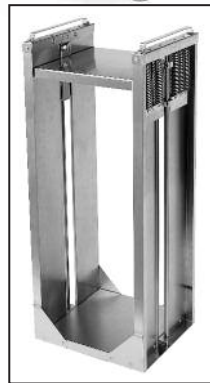


# Convection Heated Plate Dispenser

## Insulated Stainless Steel



Model 7511

Removable  
dispensing unit

Model 7512

### Efficient Heating for High Volume Applications

- Heats dishes quickly, evenly, and safely with even convected air flow.
- Accommodates plates ranging from 7" to 10-1/4" diameter.
- Dispenser cabinet is insulated for efficiency and energy savings.
- Self-leveling dispensers are removable for convenient cleaning and adjustment.
- Maneuvers easily on four each, 5" Lake-Glide® casters - all swivel, 2 with brake.
- Push handle for easy mobility.



## Specifications

**CABINET:** Exterior shall be constructed on 18-gauge 300 Series stainless steel. Inner wall of cabinet shall be constructed of .063 high-strength aluminum. All sides and top of cabinet shall be insulated with fiberglass for heat retention and energy efficiency. Cabinet lids shall feature hat channel design that does not require a gasket. The heating system shall be thermostatically controlled, using forced air with a 3200-watt element to heat the cabinet interior compartment. Unit shall be 208/220 VAC, 60 Hz and shall feature a 6' (1829 mm) long 20 amp power cord with NEMA 6-20P plug. Cabinet shall be mounted on four 5" extra-load swivel casters (two with brake) with non-marking cushion tread wheel. Unit shall be UL and NSF listed.

**DISPENSERS:** Self-leveling dispensers shall be constructed of stainless steel with self-lubricating bearings that ride over vertical guide rods to prevent carriage binding. Self-leveling tension shall be adjusted without tools by hooking or unhooking tension springs from the carriage. Carriage shall have a vertical movement of 24" (610 mm), and shall accommodate a 27" (686 mm) high stack of plates that are between 7" and 10-1/4" in diameter. Dispensers shall feature lift-out handles for easy removal from cabinet for cleaning and adjustment.

**LAKESIDE**<sup>®</sup>  
Ingenuity On Wheels™

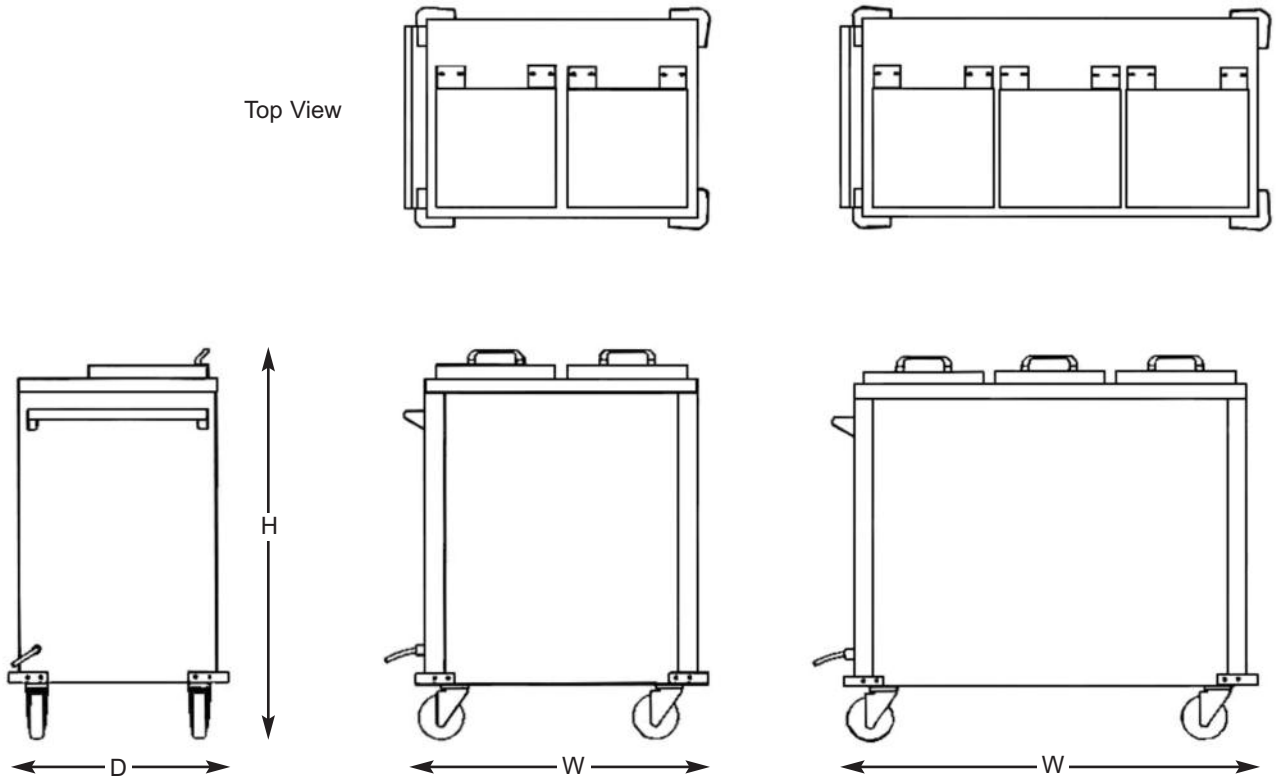
Lakeside Manufacturing, Inc.

4900 West Electric Avenue • West Milwaukee, WI 53219 U.S.A.  
800-558-8565 • 414-902-6400 • Fax 414-902-6446 • www.eLakeside.com

# Convection Heated Plate Dispenser

## Insulated Stainless Steel

Top View



AutoCAD drawings available through KCL CADalog

### Dimensions

| Model | Overall Size      |                  |                   | Lake-Glide Casters     |             | Case Weight |       | Electrical Specifications |      |                      |
|-------|-------------------|------------------|-------------------|------------------------|-------------|-------------|-------|---------------------------|------|----------------------|
|       | W                 | D                | H                 | Type                   | Dia.        | Lbs         | (Kg)  | Watts                     | Amps | VAC                  |
| 7511  | 33-3/8"<br>(849)  | 23-3/4"<br>(603) | 42-3/4"<br>(1086) | 4 Swivel,<br>2 w/Brake | 5"<br>(127) | 260         | 117.9 | 3200                      | 16.3 | 208/220-240<br>60 Hz |
| 7512  | 43-1/2"<br>(1103) | 23-3/4"<br>(603) | 42-3/4"<br>(1086) | 4 Swivel,<br>2 w/Brake | 5"<br>(127) | 300         | 136.1 | 3200                      | 16.3 | 208/220-240<br>60 Hz |

Measurements in ( ) denote metric millimeters, unless otherwise specified.



Lakeside Manufacturing, Inc.

4900 West Electric Avenue • West Milwaukee, WI 53219 U.S.A.

800-558-8565 • 414-902-6400 • Fax 414-902-6446 • www.eLakeside.com