

jetspray™
BY CORNELIUS

MODEL JT30

3 FLAVOR
VISUAL DISPLAY DISPENSER



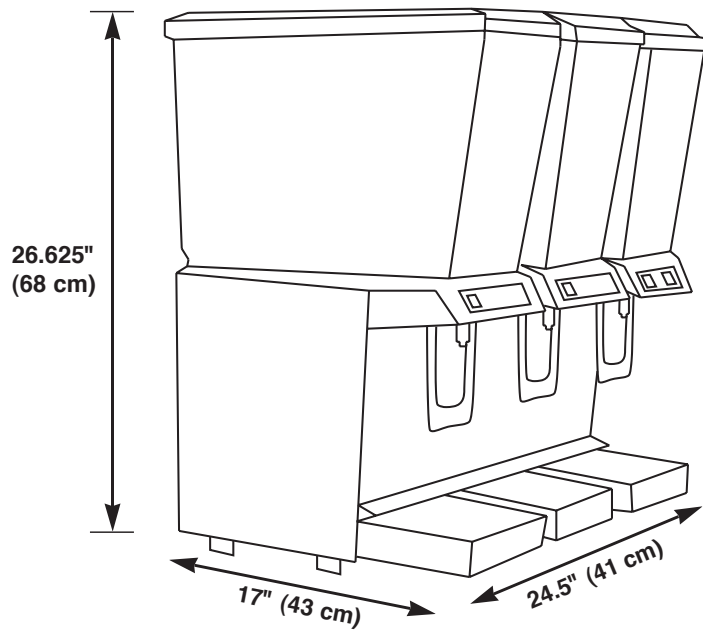
FEATURES:

- Visual display dispensing system creates impulse sales
- Interchangeable 3 (11 L) and 5 (19 L) gallon bowls can mix and match to meet variable product demand
- JWT 300 Series is available in any combination of 1, 2 or 3 in-bowl whippers to serve a variety of whipped
- Unique pinch tube system reliably dispenses all types of beverages, including those with heavy pulp
- Constant recirculation of beverage keeps drinks chilled and fresh
- No downtime because any one bowl can be removed and sanitized while the other two operate
- Easy cleaning and maintenance



CATG8621-1111

JUICE



PART NUMBER	DESCRIPTION
A8530	Cold Beverage Dispenser JT30, Visual Three Bowl, 5 Gal Spray Type, 115V / 60Hz

TECHNICAL SPECIFICATIONS:

CABINETRY White plastic and stainless steel

BEVERAGE BOWL & COVER Transparent, virtually unbreakable LEXAN® resin.

NET WEIGHT JT Series:
68 lb (30.9 kg)

SHIPPING WEIGHT JT Series:
83 lb (37.7 kg)

BEVERAGE CAPACITY Large: ~15 gal (57 L)
Small: ~9 gal (34 L)

CUP CLEARANCE 9"

REFRIGERATION JetSpray 1/3 HP hermetically sealed system R134a

PACKAGING Packed in 4 cartons, 1 for base and 3 for bowls

AGENCY LISTINGS   

