



GEMD270

## Features

- Space-saving 15" (388 mm) wide design.
- Produces up to 273 lbs (124 kg) of ice per day.
- Stores 12 lbs (5.5 kg) of ice.
- Rapid Recovery Time – 11.4 lbs (5.2 kg) of ice per hour.
- Touch-Free Dispense – infrared actuation provides easy sanitary operation.
- Sanitary plastic chute is easy to remove and clean.
- Quiet Operation – ideal for healthcare, cafeteria, restaurant and office applications.
- Pearl Ice® soft, chewable ice crystals.
- Lighted key-pad for easy dispensing selection – ice only, ice water, water only or dispensing for pitchers.
- Larger sink allows more clearance for larger containers.

## Options & Accessories

WATER FILTERS			
Ice Machine Model	Manifold		Inline
	System	Replacement	System
GEMD270	IFQ1	IOMQ (1)	n/a

## Ice Maker Warranty

Every Ice-O-Matic ice maker is backed by a warranty that provides both parts and labor coverage.

- Two years **Parts and Labor**.
- Five years **Parts** coverage on the compressor.

## Ice Form



### PEARL ICE

#### PEARL ICE DIMENSIONS

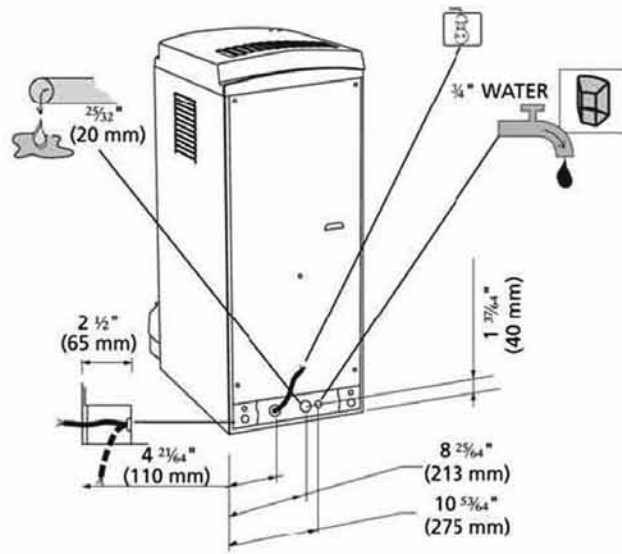
H x Dia. (in.)	1/2 x 3/8
H x Dia. (mm)	12.7 x 9.5

## 24 Hour Ice Production

Based on Air/Water Temperatures	24 Hour Production lbs/kg
70° F/50° F	273/124
90° F/70° F	198/90



GEMD270 PEARL ICE® / WATER DISPENSER



## Operating Requirements

	MINIMUM	MAXIMUM
	<b>60 Hz</b>	
Ambient Temp. Range Air	50°F (10°C)	100°F (38°C)
Water Temp.	40°F (4.4°C)	
Water Pressure	20 PSIG (1.4 BAR)	80 PSIG (5.6 BAR)
Electrical Voltage	-5%	+10%

## Dimensions

ALL MODELS	
W x D x H (in.)	15.30 x 26.10 x 34.40
W x D x H (mm)	388 x 663 x 874

## Specifications

Model Number	Cond. Unit	Ice Production per 24hrs		Water Usage gallons per 100 lbs of Ice		kWH Used per 100 lbs of ice @ 90°F air/70°F water	Voltage Characteristics	Min. Circuit Ampacity	Fuse Size	Approx. BTUs per hour
		70°F air/50°F water lbs (kg)	90°F air/70°F water lbs (kg)	Potable	Condenser					
GEMD270A	Air	273 (124)	198 (90)	24 (91)	-	13	115/60/1	6.0	15	161 (73)

### NOTES:

- 1 lb. apx. = 32 fl. oz.
- Vends per hour are based on 70°F Air/50°F Water
- It is possible to change the "Ice-Only" default setting to a different default setting by pushing the corresponding button for 5 seconds (factory default if "Ice-Only").

## Number of Vends (Servings) Per Hour From Full Bin + Recovery = Total Vends

Model Number	Bin Storage lbs/kg	1 Hour Recovery Cap. lbs/kg	2 fl. oz. Bin	2 fl. oz. Recovery	Total 2 fl. oz. Vends	4 fl. oz. Bin	4 fl. oz. Recovery	Total 4 fl. oz. Vends	6 fl. oz. Bin	6 fl. oz. Recovery	Total 6 fl. oz. Vends	8 fl. oz. Bin	8 fl. oz. Recovery	Total 8 fl. oz. Vends
GEMD270A	12/5.5	11.4/5.2	192	+ 182	= 374	96	+ 97	= 187	64	+ 61	= 125	48	+ 46	= 94