



GLOBE FOOD EQUIPMENT COMPANY

30 Quart Mixers

SP30/SP30P

Project \_\_\_\_\_ Item # \_\_\_\_\_ Quantity \_\_\_\_\_



# SP30/SP30P 30 Quart Mixers

### Models

- SP30 - 30 Quart Mixer
- SP30P - 30 Quart Pizza Mixer

*Built into each mixer is the quality of workmanship and design synonymous with Globe.*

### Standard Features

- Powerful custom built motor - 1 HP (SP30) or 1 ½ HP (SP30P)
- Three fixed speeds
- High torque transmission
- Heat-treated hardened steel alloy gears and shafts
- Permanently lubricated transmission
- Thermal overload protection
- Rigid cast iron body
- Removable stainless steel bowl guard with built in ingredient chute
- NSF approved enamel gray paint
- Front mounted controls
- 15 minute timer
- Industry standard #12 attachment hub
- Safety interlocked bowl guard and bowl lift
- Nonslip rubber feet
- 6 foot cord and ground plug

### Standard Accessories

- 30 quart stainless steel bowl
- Flat beater (aluminum)
- Stainless steel wire whip
- Spiral dough hook (aluminum)



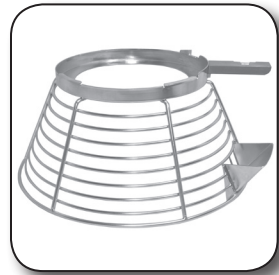
### Optional Attachments/Accessories

- Slicer/Shredder/Grater for #12 hub
- Meat grinder for #12 hub
- 20 quart adapter kit

### Standard Warranty

- Two-years parts and one-year labor

### Featuring a Removable Bowl Guard



- High-quality stainless steel removable bowl guard
- Interlocking guard easy to attach and remove for easy cleaning
- Dish machine safe

Approved By: \_\_\_\_\_

Date: \_\_\_\_\_



**GLOBE FOOD EQUIPMENT COMPANY**

[www.globeslicers.com](http://www.globeslicers.com)

2153 Dryden Rd  
Dayton, OH 45439  
Phone: 937-299-5493  
Phone: 800-347-5423  
Fax: 937-299-4147



# 30 Quart Mixers

# SP30/SP30P

## Specifications

**Motor:** Grease packed ball bearing, air cooled. Thermal overload protection (auto reset).  
 SP30: 1 HP, 16 amps, 115/60/1  
 SP30P: 1 1/2 HP, 12 amps, 220/60/1  
 Special voltage motors available (single phase only). Contact factory.

**Finish:** NSF approved enamel gray paint.

**Capacity:** 31.7 quart (30 liter) bowl.

**Transmission:** Fixed speed transmission is made of heat treated, hardened alloy, precision milled gears that operate the planetary action and provide high torque mixing power. The gears are packed in a long lasting grease, and all shafts are mounted in ball bearings.

**Removable Bowl Guard:**  
 Removable stainless steel bowl guard made of high-quality stainless steel. Interlocking guard is easy to attach and remove for easy cleaning in a sink or dishwasher. When guard is open or not properly installed, the mixer will not operate.

**Safety Interlocks:** The bowl guard and bowl lift lever are interlocked. The mixer will automatically shut down when the guard is opened or the bowl is lowered.

### Agitator Speeds (RPMs):

Low	92
Intermediate	164
High	317

### Attachment Speeds (RPMs):

Low	62
Intermediate	111
High	215

**Standard Equipment:** Standard equipment includes a 30 quart #304 series stainless steel bowl, aluminum spiral dough hook, stainless steel wire whip, aluminum flat beater, removable stainless steel bowl guard with built in ingredient chute, 15 minute timer, non-slip rubber feet, and #12 attachment hub. A sturdy hand lever on the body column raises and lowers the bowl as well as locking in place at the top and bottom positions.

**Cord and Plug:** 6 ft. flexible three wire cord and ground plug. (5-20P plug)

### Dimensions:

Foot Print = 22.4" x 23.6"  
 (56.9 cm x 59.9 cm)  
 Overall Length = 26.2" (66.5 cm)  
 Overall Width = 22.4" (56.9 cm)  
 Overall Height = 48.5" (123.2 cm)

### Shipping Information:

Freight Class: 85  
 Net Weight: 396 lbs. (180 kg)  
 Shipping Weight: 565 lbs. (256.3 kg)  
 Shipping Dimensions:  
 48"W x 48"D x 64"H  
 (121.9cm W x 121.9cm D x 162.5cm H)  
 Cartons are affixed to a skid (pallet). The weight and dimensions of this skid are included above and may vary from shipment to shipment.

### Optional Accessories:

**XXACC20-30** Adapter Kit includes a 20 quart bowl, wire whip, dough hook, and flat beater to adapt 30 quart mixers to a 20 quart capacity.

### Optional Attachments:

**XMCA-SS** Meat Grinder Assembly (Polished stainless steel cylinder, worm gear, ring, and pan. Includes knife, 3/16" plate, stainless steel pan, and pusher.)

### Chopper Plate Sizes Available:

<b>CP02-12</b>	1/16"	(2mm)
<b>CP04-12</b>	5/32"	(4mm)
<b>CP05-12</b>	3/16"	(5mm)
<b>CP06-12</b>	1/4"	(6mm)
<b>CP08-12</b>	5/16"	(8mm)
<b>CP10-12</b>	3/8"	(10mm)
<b>CP12-12</b>	1/2"	(12mm)
<b>CP14-12</b>	9/16"	(14mm)
<b>CP16-12</b>	5/8"	(16mm)
<b>CP18-12</b>	11/16"	(18mm)
<b>CP00-12</b>	Stuffing Plate	
<b>XST12</b>	1/2" stuffing tube (sheep)	
<b>XST34</b>	3/4" stuffing tube (hog)	

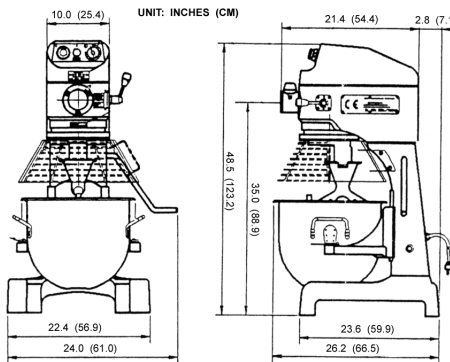
**XVSGH** 9" Slicer/Shredder/Grater Housing Only (*no plates included - must select from plates below*)

**XASP** Adjustable slicing plate

**XPH** Plate holder - \*only 1 required

### Shredding/Grating Plates:

<b>XSP332*</b>	3/32"	(2.3mm)
<b>XSP316*</b>	3/16"	(4.7mm)
<b>XSP14*</b>	1/4"	(6.3mm)
<b>XSP516*</b>	5/16"	(7.9mm)
<b>XSP12*</b>	1/2"	(12.7mm)
<b>XGP*</b>	Grating plate	



## GLOBE FOOD EQUIPMENT COMPANY

[www.globeslicers.com](http://www.globeslicers.com)

2153 Dryden Rd  
 Dayton, OH 45439  
 Phone: 937-299-5493  
 Phone: 800-347-5423  
 Fax: 937-299-4147