



Project Name: _____ AIA#: _____ Model #: _____

Location: _____ SIS#: _____ Item #: _____ Quantity: _____



Electric Countertop Fryers

Models

- PF10E - 10 lb. Oil Capacity Fryer
- PF16E - 16 lb. Oil Capacity Fryer
- PF32E - 32 lb. Oil Capacity Fryer



GLOBE FOOD EQUIPMENT COMPANY

Electric Countertop Fryers

PF10E / PF16E / PF32E

Quality Construction

- All stainless steel construction
- Removable, stainless steel fry pot with handles
- Easy to remove and clean control box and swing-up elements
- Nickel-plated fry baskets with cool-to-touch insulated handles

Standard Features

- 70°F – 375°F thermostat
- High temp thermal limit control with manual reset
- 3½" stainless steel adjustable feet
- Built-in basket nesting hooks
- Attached 4-foot power cord and plug (dual power cords and plugs on the PF32E)

Oil Capacity

Model: PF10E - Oil Capacity = 10 lbs.
 Model: PF16E - Oil Capacity = 16 lbs.
 Model: PF32E - Oil Capacity = 32 lbs.
 (dual tank)

Applications

- Designed for light duty cooking
- Produces 10 to 50 lbs. of fries per hour – frozen to finish – depending on model

Frying Capacity

Model: PF10E - Fries per hour = 10 lbs.
 Model: PF16E - Fries per hour = 25 lbs.
 Model: PF32E - Fries per hour = 50 lbs.

Standard Accessories

- (2) Nickel-plated baskets

Warming Temp Rates

- 7-10 minutes for initial oil warm up
- Oil recovery after each batch ~5 minutes (rate may vary with chilled/frozen foods)

Optional Accessories

- Interchangeable 16 lb. and 32 lb. baskets
 - Small basket - SMBASKET10
 - Large basket - TMBASKET1632
 - Twin baskets - LGBASKET1632
- Fryer covers
 - FRYERCOVER1016
 - FRYERCOVER32
 (For use only when fryer is not operational)

Warranty

- One-year parts and labor

Approved By: _____

Date: _____



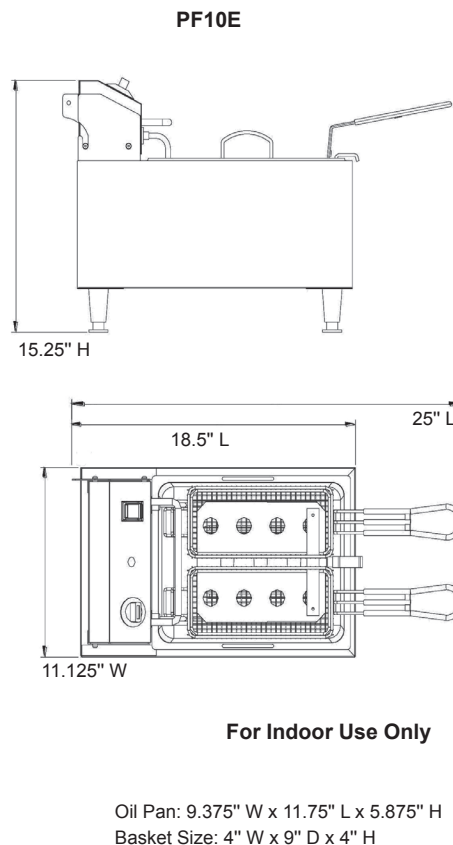
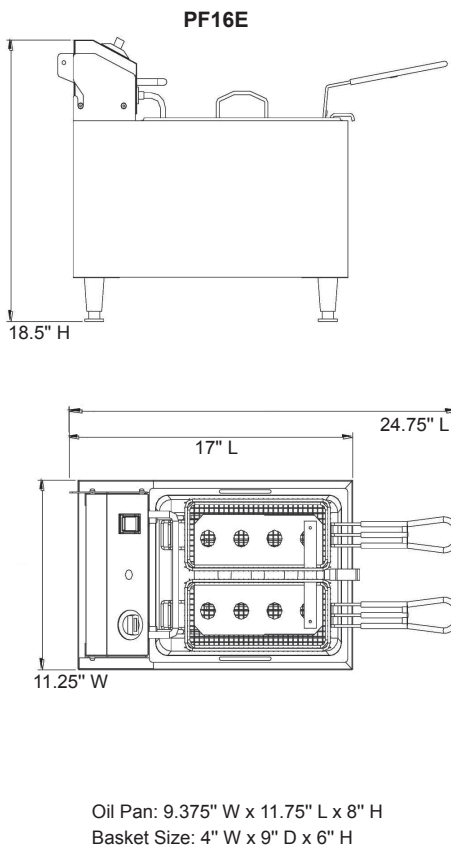
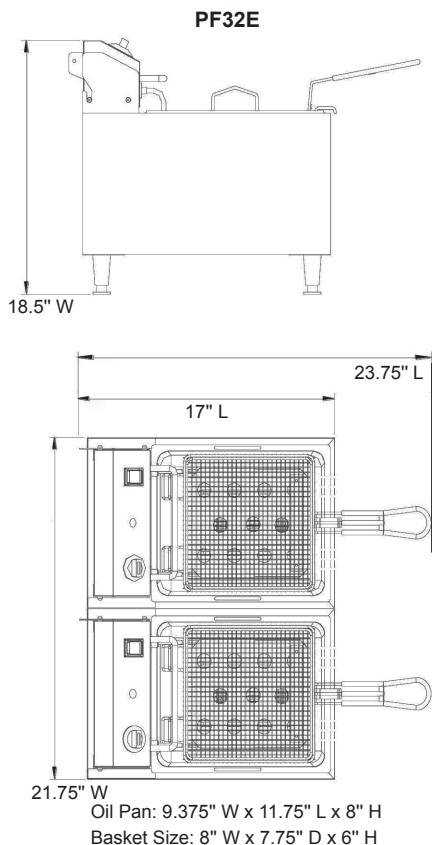
GLOBE FOOD EQUIPMENT COMPANY
 2153 Dryden Rd., Dayton, OH 45439
 Phone: 937-299-5493 Fax: 937-299-4147
 800-347-5423

www.globeslicers.com



Electric Countertop Fryers

PF10E / PF16E / PF32E



For Indoor Use Only

SPECIFICATIONS

- All models come with two baskets. See basket sizes above
- Thermostat: Maintains oil/fat temperature for cooking from 70°F - 375°F.
- Thermal Limit Control HIGH TEMP: Detects high temperature limits and automatically shuts off the fryer.

Model	Food Capacity	Oil Capacity	# of Tanks	Electric	Wattage	AMPs	NEMA Plug Type
PF10E	~ 10 lbs per hour	10 lbs.	1	120V	1700 W	14	(1) 5-15P U.S.A. (⊕) / (1) 5-20P Canada (⊕)
PF16E	~ 25 lbs per hour	16 lbs.	1	208-240V	2900W 3800W	13.9 15.8	(1) 6-20P U.S.A. & Canada (⊖)
PF32E	~ 50 lbs per hour	32 lbs.	2 (Dual)	208-240V	2900W 3800W	13.9/13.9 15.8/15.8	(2) 6-20P U.S.A. & Canada (⊖) (⊖)

- OPTIONS:**
- Interchangeable 16 lb. and 32 lb. baskets -
 - Small basket - SMBASKET10
 - Large basket - TMBASKET1632
 - Twin baskets - LGBASKET1632
 - Fryer covers - (For use only when fryer is not operational)
 - FRYERCOVER1016
 - FRYERCOVER32
 - Canada orders:** Please specify a -C after the model number for CSA plug

DIMENSIONS & SHIPPING INFORMATION Freight Class 85

Cartons are reinforced for shipping. The weight and dimensions of reinforced cartons are listed below and may vary from shipment to shipment.

Model	Foot Print	Overall Dimensions	Net Weight	Shipping Dimensions	Shipping Weight
PF10E	10.25" W x 16.5" L (26 cm x 42 cm)	18.5" L x 11.1" W x 15.25" H (47 cm x 28 cm x 39 cm)	16.8 lbs. (7.6 kg)	21.75" L x 15.25" W x 16.75" H (55 cm x 39 cm x 42.5 cm)	21 lbs. (9.2 kg)
PF16E	10.25" W x 16.5" L (26 cm x 42 cm)	18.5" L x 11.25" W x 17" H (47 cm x 28.5 cm x 43 cm)	19.2 lbs. (8.7 kg)	21.75" L x 15.25" W x 18.25" H (55 cm x 39 cm x 46 cm)	23 lbs. (10.3 kg)
PF32E	20.5" W x 16.5" L (52 cm x 42 cm)	18.5" L x 21.75" W x 17" H (47 cm x 55 cm x 43 cm)	29.2 lbs. (13.2 kg)	25.75" L x 22" W x 18" H (65 cm x 56 cm x 46 cm)	38 lbs. (30 kg)



GLOBE FOOD EQUIPMENT COMPANY

www.globeslicers.com

2153 Dryden Rd.
Dayton, OH 45439
Phone: 937-299-5493
Phone: 800-347-5423
Fax: 937-299-4147