

Project

Item #

Quantity



GLOBE FOOD EQUIPMENT COMPANY

Price Computing Scales

GS30/GS30T



GS30/GS30T Price Computing Scales

Models

- GS30 - Price Computing Scale
- GS30T - Price Computing Scale with Display Tower

NTEP Approved
Meets NIST
Handbook 44 Criteria
Legal for Trade



Standard Features

- Weighs from .01 lb. to 30 lbs.
- Built-in rechargeable battery or AC powered
- Adds multiple transactions
- Automatic entry tare
- Easy to read two-sided LCD display of weight, unit price and total price
- Removable stainless steel recessed platter
- Six-foot, 115 volt power cord and molded plug
- Automatic shut-off if not used

Standard Warranty

- One-year parts and labor

Optional Accessory

- Plastic scale scoop (10" diameter x 2.5" deep)



Approved By: _____

Date: _____



GLOBE FOOD EQUIPMENT COMPANY

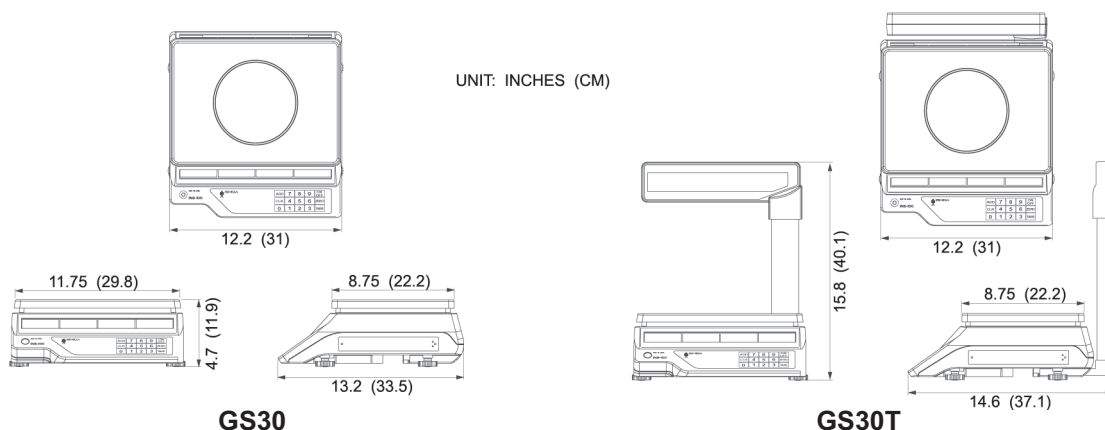
www.globeslicers.com

2153 Dryden Rd.
Dayton, OH 45439
Phone: 937-299-5493
Phone: 800-347-5423
Fax: 937-299-4147



Specifications

Capacity:	30 lbs. x .01 lb.
Platter Size:	11.75" x 8.75" (29.8cm x 22.2cm)
Construction:	Durable ABS (white), Stainless Steel Platter
Display:	LCD, .63" High
Display Information:	Weight, Unit Price, Total Price
Power Requirements:	115V, 60 Hz, 1 Ph., .1 Amps
Power Supply:	AC Built-in Rechargeable Lead Storage Battery
Operating Temperature:	14°F to 140°F
Cord and Plug:	Attached 6 ft. Flexible 3 Wire Cord and Plug Fits Grounded Receptacle
Tare:	Automatic Entry
Dimensions:	GS30 - 12.2"W x 13.2"D x 4.7"H (31cm W x 33.5cm D x 11.9cm H) GS30T - 12.2"W x 14.6"D x 15.8"H (31cm W x 37.1cm D x 40.1cm H)
Shipping Dimensions :	GS30 - 19"W x 17"D x 9"H (48.3cm W x 43.2cm D x 22.9cm H) GS30T - 20"W x 17"D x 10"H (50.8cm W x 43.2cm D x 25.4cm H)
Zero:	Auto Zero Tracking on Power Up
Keypad:	Laminated Membrane, Audible Tone Feedback
Accumulator:	Adds Multiple Transactions
Weight:	GS30 - Net 10.5 lbs. (4.8 kgs.), Shipping 13.5 lbs. (6.1 kgs.) GS30T - Net 12 lbs. (5.4 kgs.), Shipping 15.5 lbs. (7 kgs.)



GLOBE FOOD EQUIPMENT COMPANY

www.globeslicers.com

2153 Dryden Rd.
Dayton, OH 45439
Phone: 937-299-5493
Phone: 800-347-5423
Fax: 937-299-4147

Printed in U.S.A. 03-2010

Specifications are subject to change without notice.