

BLACK◆DIAMOND

36" Gas Range w/6 Burner and Oven

Black Diamond's 36" gas range is constructed of a stainless steel front, backriser, shelf and feet. Each 28,000 BTU burner has its own 12"x12" removable cast iron grate with standing pilot light and individual control knob for quick, instant lighting. The standard oven measures 26.75"W x 25.75"D x 14"H and has a total BTU output of 28,000 BTU/hr. The interior of the oven is constructed of all steel with a porcelain oven liner. The oven thermostat adjusts from 200°F-600°F and is equipped with a flame failure safety device. Overall dimensions are 36"W x 32.5"D x 60.75"H including 6" stainless steel legs and 24.75" high backriser. 3/4" rear NPT gas connection.

GR-36/NG

Construction

- ◆ Stainless steel front, backriser and shelf
- ◆ 28,000 BTU/hr top burners with lift-off heads
- ◆ 12" x 12" cast iron removable top grates
- ◆ Individual pilot light for each burner
- ◆ Spring loaded door with cool to touch s/s handle
- ◆ Removable crumb tray for easy cleaning
- ◆ 6" stainless steel adjustable legs
- ◆ 3/4" rear NPT gas connection

Oven Features

- ◆ Oven cavity measures 26.75"W x 25.75"D x 14"H
- ◆ 28,000 BTU/hr total output
- ◆ Flame failure safety device
- ◆ Adjustable thermostat from 200°F-600°F
- ◆ Steel liner on door and sides with a porcelain oven liner
- ◆ Includes 2 removable and adjustable oven racks
- ◆ Cool to touch stainless steel oven door handle

Top Burners

- ◆ Six cast iron burners each giving off 28,000 BTU/hr for a total output of 168,000 BTU/hr
- ◆ 12" x 12" cast iron top grates are removable for easy cleaning and maintenance
- ◆ Each burner has an individual standing pilot light and control knob

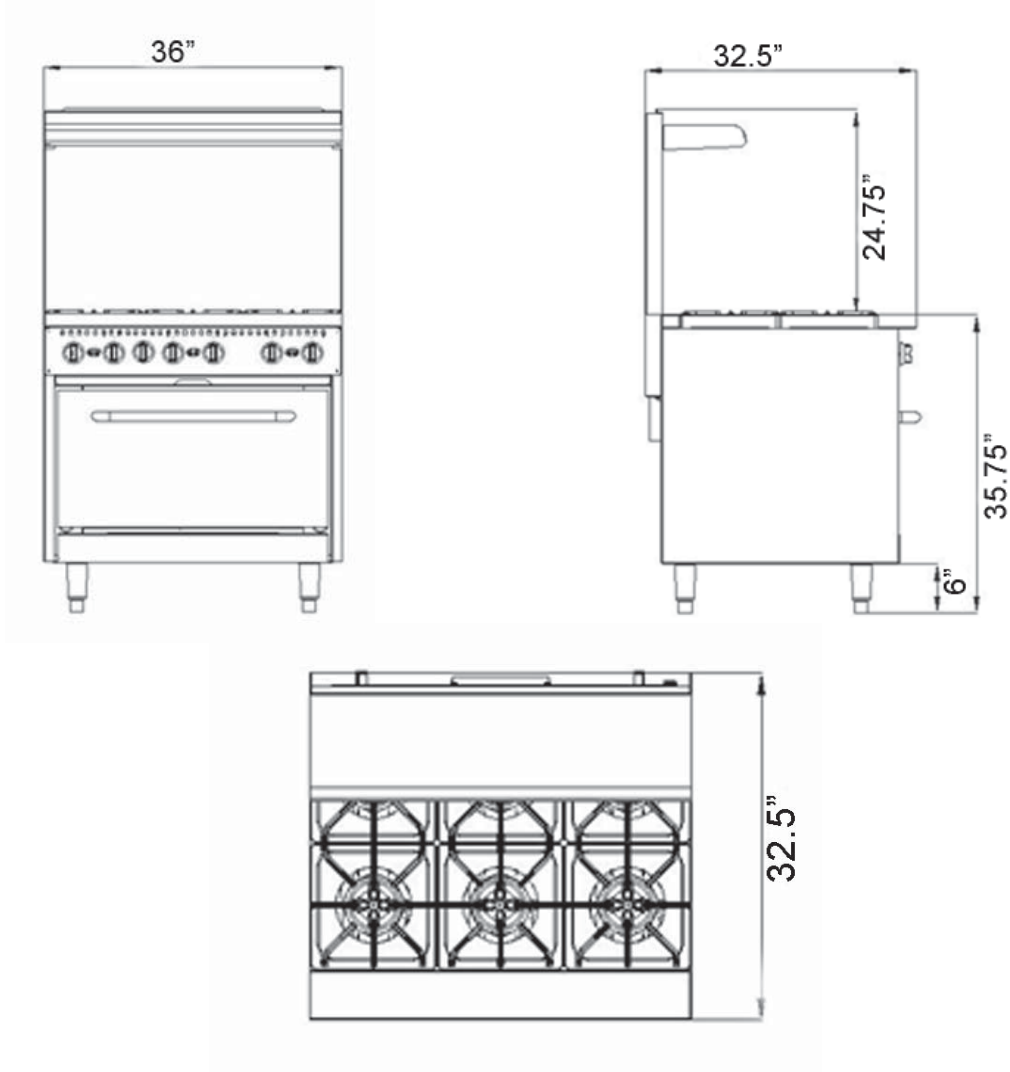


Black Diamond warrants this product to be free of defects in materials and workmanship for period of 1 year from the date of original installation.

BLACK◆DIAMOND

36" Gas Range w/6 Burner and Oven

Plan View



Specifications

Model Number	Description	Total BTU/hr	Gross Weight	Net Weight
GR-36/NG	36" Gas Range w/6 Burner NG	196,000	456 lbs (207kgs)	390 lbs (176kgs)

Model Number	Overall Dimensions	Oven Cavity Dimensions
GR-36/NG	36"W x 32.5"D x 60.75"H	26.75"W x 25.75"D x 14"H