



CONVECTION OVEN

CONCEPT



HALF SIZE CONVECTION OVENS

From pastries to entrees...

Bakes fast and evenly, intensifies and seals in flavor

- ☐ Compact footprint with four (4) half size sheet pan capacity
- ☐ Stainless steel exterior and interior construction
- ☐ Four chrome plated wire shelves included
- ☐ Rear fan and heating assembly create true convection pattern
- ☐ Unique air flow design ensures quick and uniform baking
- ☐ Thermostatic control up to 570°F with 120 minute timer
- ☐ Cool-to-the-touch double glass door removable for easy cleaning
- ☐ Internal light allows for cooking visibility
- ☐ Optional manual steam feature (for FC-60)



ARIEL

FC-60/1

120 V



FC-60

208/240 V

PINNACLE

FC-60G/1

120 V



FC-60G

208/240 V

CAPACITY:

- (4) wire shelves 13"x18" (included)
- (4) half size sheet pans (12⁷/₈"x17³/₄"x1")
- (4) two-thirds size steam table pans (13⁷/₈"x12³/₄"x2¹/₂")

*Manual steam feature option for FC-60

WITH TURBOQUARTZ® FEATURE

features infrared overhead broiling elements - convection and broiling modes operate separately or in combination



765 WESTMINSTER STREET PROVIDENCE, RI 02903

TEL: (401)273-3300 FAX: (401)273-3328 E-mail: sales@equipex.com

www.equipex.com

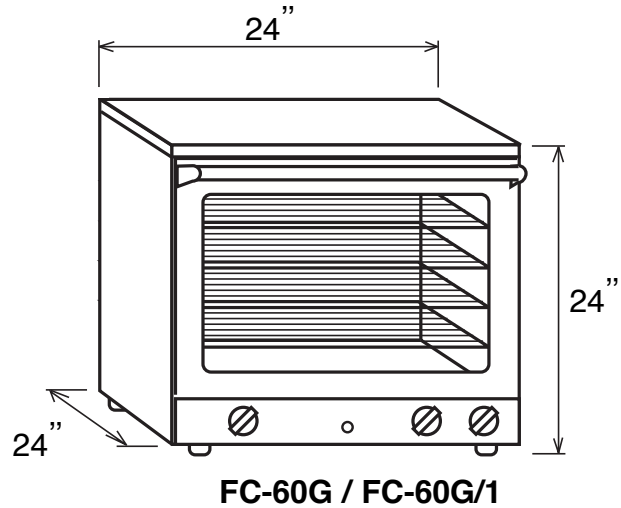
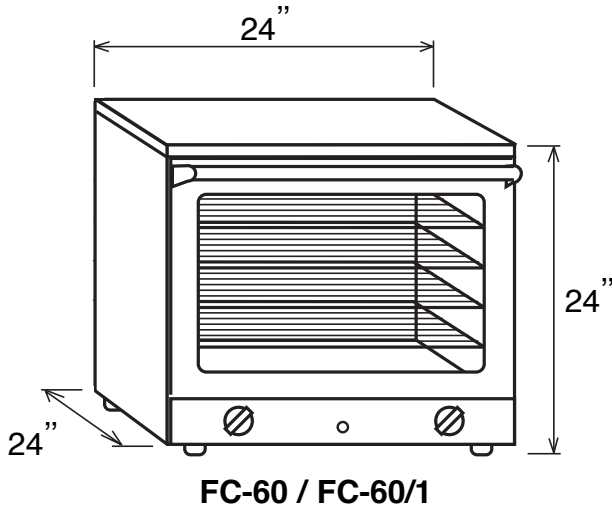


**HALF SIZE CONVECTION OVEN
MODEL FC-60, FC-60/1**

*Optional manual steam feature:
- Cold water supply: 1/2" hose connection

**HALF SIZE CONVECTION OVEN
WITH BROILER - TURBOQUARTZ®
MODEL FC-60G, FC-60G/1**

All features of FC-60 with infrared heating elements overhead - convection and broiling modes operate separately or in combination



INSTALLATION CLEARANCE: 2" EACH SIDE, TOP AND BACK

SPECIFICATIONS

| MODEL | ELECTRICAL | EXTERIOR DIMENSIONS | INTERIOR DIMENSIONS | SHIPPING WEIGHT | NEMA PLUG |
|----------|----------------------------------|----------------------------------|---------------------------|-----------------|-----------|
| *FC-60 | 208/240V, 1PH, 3.3KW, 13/15 Amps | 24"Wx24"Dx24"H (add 4" for legs) | 18 1/2"Wx14 1/2"x13 1/2"H | 135 lbs | 6-20P |
| *FC-60/1 | 120V, 1.7KW, 14 Amps | 24"Wx24"Dx24"H (add 4" for legs) | 18 1/2"Wx14 1/2"x13 1/2"H | 135 lbs | 5-15P |
| FC-60G | 208/240V, 1PH, 3.3KW, 13/15 Amps | 24"Wx24"Dx24"H (add 4" for legs) | 18 1/2"Wx14 1/2"x12"H | 135 lbs | 6-20P |
| FC-60G/1 | 120V, 1.7KW, 14 Amps | 24"Wx24"Dx24"H (add 4" for legs) | 18 1/2"Wx14 1/2"x12"H | 135 lbs | 5-15P |

WARRANTY: Limited one year parts and labor



765 WESTMINSTER STREET PROVIDENCE, RI 02903
 TEL: (401)273-3300 FAX: (401)273-3328 E-mail: sales@equipex.com
 www.equipex.com