



PIZZA

CONCEPT

COUNTERTOP PIZZA OVENS

*Pizza worth waiting for ...
but your customers won't have to!*



BRICK PIZZA OVENS

- 12" fresh or frozen pizza in just 3-6 minutes
- Fire brick stone for authentic taste
- Quartz heating elements bring temperatures up to 660°F
- 10-12 minute preheating time
- 15 minute timer with continuous cooking feature
- Stackable up to three units (optional stacking kit required)
- Ideal for pizzerias and pubs, convenience stores, fast food and snack bars
- Consistent professional results permit versatile use as baking or finishing oven



PRIMO

PZ 330

120 V



PZ 331

208/240 V

CAPACITY:

1 - 12" pizza in 3-6 minutes

UPPER CRUST

PZ 660

208/240 V



CAPACITY:

2 - 12" pizzas or several personal size pizzas in 3-6 minutes

SNACK PIZZA OVEN

- Stainless steel pizza oven with baking wire rack for par-baked or refrigerated pizza
- Rack mounted door with handle
- Top and bottom high output sheathed elements
- Temperature up to 660°F with 15 minute timer
- Baking stone and frame assembly available for fresh or frozen pizza (optional)

PZ 400

120 V



CAPACITY:

1 - 14" pizza in 8-12 minutes



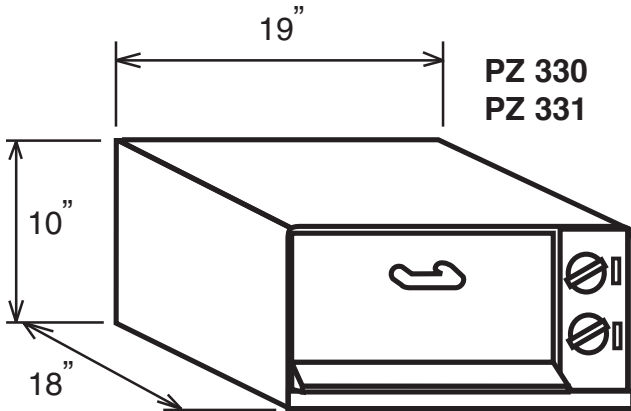
765 WESTMINSTER STREET PROVIDENCE, RI 02903

TEL: (401)273-3300 FAX: (401)273-3328 E-mail: sales@equipex.com

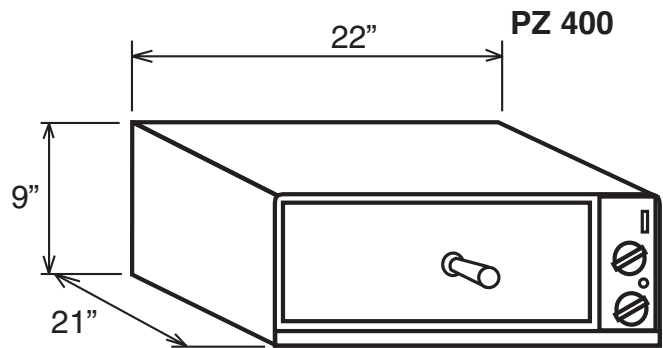
www.equipex.com



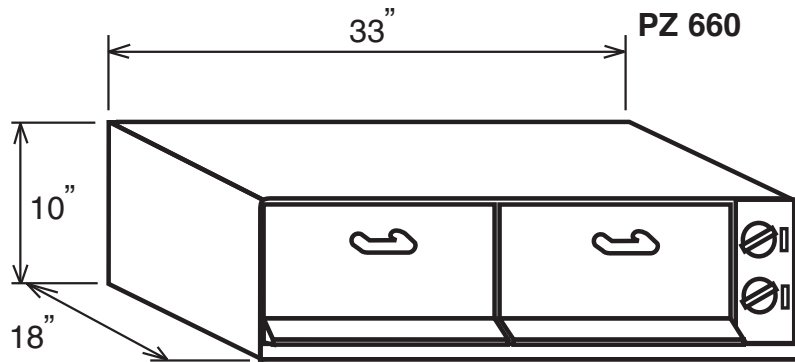
COUNTERTOP PIZZA OVENS



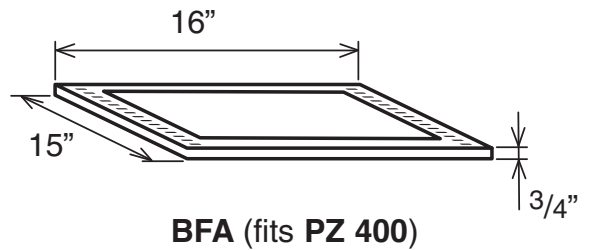
PZ 330
PZ 331



PZ 400



PZ 660



BFA (fits PZ 400)

INSTALLATION CLEARANCE : 4" EACH SIDE, TOP AND BACK

SPECIFICATIONS

MODEL	ELECTRICAL	DIMENSIONS	SHIPPING WEIGHT	NEMA PLUG
PZ 330	120V, 1.8KW, 15 Amps	19"Wx18"Dx10"H	56 lbs	5-15 P
PZ 331	208/240V, 1PH, 2KW, 8/10 Amps	19"Wx18"Dx10"H	56 lbs	6-15 P
PZ 660	208/240V, 1PH, 3KW, 13/15 Amps	33"Wx18"Dx10"H	100 lbs	6-15 P
PZ 400	120V, 1PH, 1.3KW, 11 Amps	22"Wx21"Dx9"H	50 lbs	5-15P
BFA	Fits PZ 400	16"Wx15"Dx3/4"H	10 lbs	

WARRANTY: Limited one-year parts and labor



765 WESTMINSTER STREET PROVIDENCE, RI 02903
TEL: (401)273-3300 FAX: (401)273-3328 E-mail: sales@equipex.com
www.equipex.com