

sodir

GRIDDLE

CONCEPT

COUNTERTOP ELECTRIC GRIDDLES AND PLANCHAS

Compact heavy duty griddles designed for controlled cooking with high energy efficiency

PSE SERIES GRIDDLES:

- Fine grain smooth cast iron plate assures even cooking
- Each cooking zone is thermostatically controlled up to 570°F
- Integral on/off switch, pilot and temperature indicator lights for each cooking zone
- Stainless steel base for easy cleaning
- One piece griddle plate with integral back and side splashes
- Removable grease drawer

MODELS PSE/PCC/PSS - 400

120 V

208/240 V



(PSE series shown)

- * One cooking zone
- * Available with cast iron (PSE), plancha style steel (PSS) or chrome coated (PCC) cooking surface
- * Exterior dimensions:
 - PSE - 18"Wx19"Dx8"H
 - PSS - 18"Wx17"Dx10"H
 - PCC - 18"Wx17"Dx10"H

MODELS PSE/PCC/PSS - 600

120 V

208/240 V



(PCC series shown)

- * Two cooking zones
- * Available with cast iron (PSE), plancha style steel (PSS) or chrome coated (PCC) cooking surface
- * Exterior dimensions:
 - PSE - 25 1/2"Wx19"Dx8"H
 - PSS - 25 1/2"Wx17"Dx10"H
 - PCC - 25 1/2"Wx17"Dx10"H

PLANCHA STYLE



Model PSS-400 shown

PSS SERIES PLANCHAS:

All features of PSE series except for...

- Satin finished cold-rolled steel plates
- Platform style one piece griddle top
- Integral stainless steel rear and side splashes

PCC SERIES PLANCHAS:

All features of PSS series except for...

- Chrome coated highly polished steel plate
- Ideal for demonstration cooking

MODEL PSS - 900

208/240 V



(PSS series shown)

- * Three cooking zones
- * Available in plancha style steel (PSS) cooking surface only
- * Exterior dimensions:
 - PSS - 35 1/2"Wx19"Dx9"H

EQUIPEX LTD. www.equipex.com

765 WESTMINSTER STREET PROVIDENCE, RI 02903
TEL: (401)273-3300 FAX: (401)273-3328 E-mail: sales@equipex.com

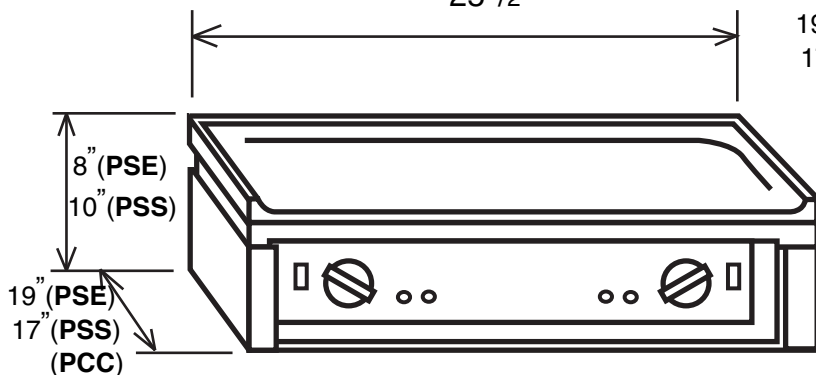




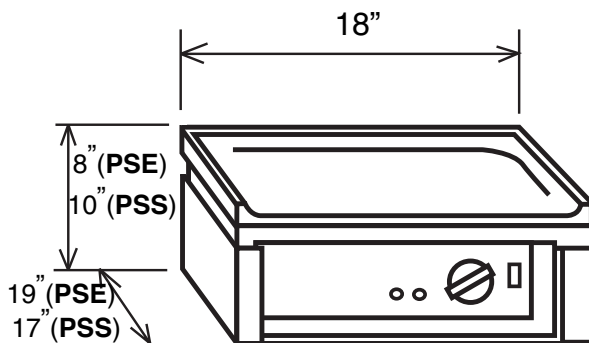
COUNTERTOP ELECTRIC GRIDDLES AND PLANCHAS

Compact heavy duty griddles designed for controlled cooking with high energy efficiency

25 1/2"



PSE/PSS/PCC-600



PSE/PSS/PCC-400



SPECIFICATIONS

INSTALLATION CLEARANCE :
ALL MODELS 4" EACH SIDE AND BACK

MODEL	ZONES	ELECTRICAL	DIMENSIONS	WORK SURFACE	SHIPPING WEIGHT	NEMA PLUG
PSE-400	1	120V, 1.0KW, 9 Amps 208/240V, 1PH, 2KW, 8/9Amps	18"Wx19"Dx8"H	15"Wx14 1/2"D	50 lbs	5-15 P 6-15 P
PSS-400 PCC-400	1	120V, 1.0KW, 9 Amps 208/240V, 1PH, 2KW, 8/9Amps	18"Wx17"Dx10"H	15"Wx15"D	50 lbs	5-15 P 6-15 P
PSE-600	2	120V, 1.75KW, 15 Amps 208/240V, 1PH, 4KW, 15/17Amps	25 1/2"Wx19"Dx8"H	23"Wx14 1/2"D	70 lbs	5-15 P 6-20 P
PSS-600 PCC-600	2	120V, 1.75KW, 15 Amps 208/240V, 1PH, 4KW, 15/17Amps	25 1/2"Wx17"Dx10"H	23"Wx15"D	70 lbs	5-15 P 6-20 P
PSS-900	3	208/240V, 1PH, 22/25Amps 208/240V, 3PH, 13/15Amps	35 1/2"Wx19"Dx9"H	35"Wx15"D	145 lbs	6-50 P Cord Only

GRILLING CAPACITY*

MODEL	BURGERS	PANCAKES	STEAKS
PSE/PSS/PCC-400	210	170	75
PSE/PSS/PCC-600	320	240	115
PSS-900	480	360	170

* estimated per hour;
may vary with actual sizes
and brands of products

WARRANTY: Limited one-year parts and labor



765 WESTMINSTER STREET PROVIDENCE, RI 02903
TEL: (401)273-3300 FAX: (401)273-3328 E-mail: sales@equipex.com
www.equipex.com