



# FRYING

## CONCEPT



### COUNTERTOP FRYERS

- Fast heat rise
- Easy to disassemble for cleaning
- Night cover to keep the fryer clean
- Built-in safety thermostat
- Stainless steel construction
- Baskets are fitted with heat resistant handles

#### SMALL FRY

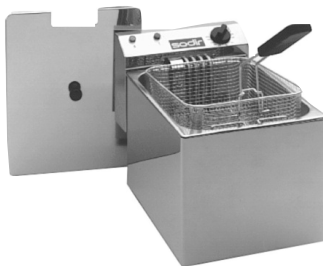
**RF5S**  
120 V  
*Compact Design - Big Taste*



**OIL CAPACITY:**  
10 lbs / 1 basket  
**FRESH FRIES OUTPUT:**  
up to 22 lbs / hr

#### FRY RITE

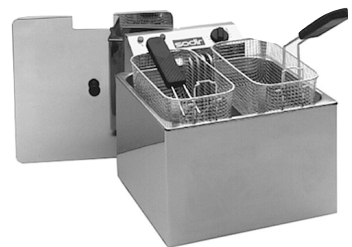
**RF8SP**  
208/240 V  
*Portable Commercial Fryer*



**OIL CAPACITY:**  
15 lbs / 1 basket  
**FRESH FRIES OUTPUT:**  
up to 40 lbs / hr

#### MIGHTY MAX

**RF12SP**  
208/240 V  
*Compact Professional Fryer*



**OIL CAPACITY:**  
25 lbs / 1 or 2 baskets  
(specify when ordering)  
**FRESH FRIES OUTPUT:**  
up to 50 lbs / hr



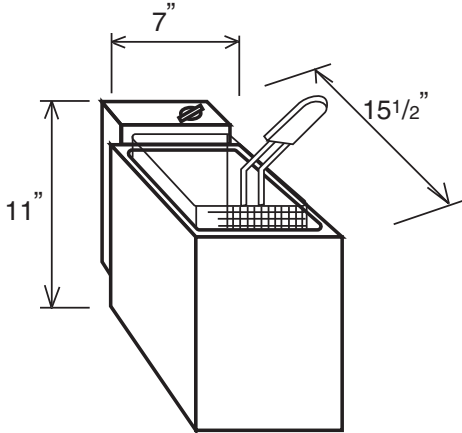
765 WESTMINSTER STREET PROVIDENCE, RI 02903  
TEL: (401)273-3300 FAX: (401)273-3328 E-mail: sales@equipex.com  
www.equipex.com



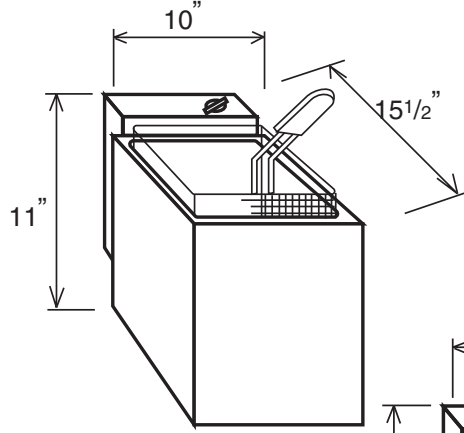
# COUNTERTOP FRYERS



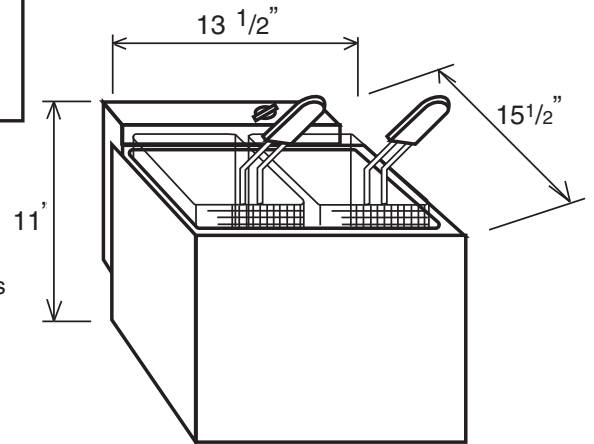
RF5S



RF8SP



\* RF12SP



\* available with 1 or 2 baskets (specify when ordering)

## SPECIFICATIONS

MODEL	ELECTRICAL	DIMENSIONS	BASKET DIMENSIONS	SHIPPING WEIGHT	NEMA PLUG
RF5S	120V, 1.75KW, 15 Amps	7"Wx15 1/2"Dx11"H	5"Wx10"Dx4"H	20 lbs	5-15 P
RF8SP	208/240V, 1PH, 5KW, 22/24 Amps	10"Wx15 1/2"Dx11"H	8"Wx10"Dx4"H	25 lbs	L6-30 P
RF12SP	208/240V, 1PH, 6.5KW, 28/31 Amps	13 1/2"Wx15 1/2"Dx11"H	12"Wx10"Dx4"H	30 lbs	6-50 P

**WARRANTY:** Limited one year parts and labor



765 WESTMINSTER STREET PROVIDENCE, RI 02903  
TEL: (401)273-3300 FAX: (401)273-3328 E-mail: sales@equipex.com  
www.equipex.com