



"ESSRB" Stainless Steel Top Tables with RISERS

w/ 16 Gauge Stainless Steel Work Top
w/ Galvanized Base and Bracing



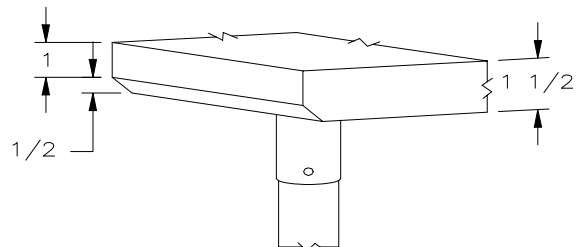
Shown Welded Set-up



16 GAUGE TOP w/ BRACING					
24"WIDE	Qty	30"WIDE	Qty	36"WIDE	Qty
ESS120		ESS126		-	
ESS121		ESS127		ESS132	
ESS122		ESS128		ESS133	
ESS123		ESS129		ESS134	
ESS123A		ESS129A		ESS134A	
ESS124		ESS130		ESS135	
ESS124A		ESS130A		ESS135A	
ESS125		ESS131		ESS136	

FEATURES:

- * 16 Gauge Stainless Steel Top with 6" Riser
- * Type 300 stainless steel with # 3 polish, satin finish
- * Top is **Sound Deadened**
- * Reinforced with 1"x2" channel running entire length of table
- * 1 1/2" **Stallion Edge** on front and rear with side edges 90 degree bend down for table line-up
- * Galvanized Base and Undershelf
- * Bracing adjustable to desired height
- * Adjustable bullet feet
- * Shipped knocked-down, easy - to - assemble
- * Optional drawers, casters, pot racks, etc. available
- * All models are approved by the National Sanitation Foundation and the U.S. Department of Agriculture.



STALLION
SAFETY
EDGE

CONSTRUCTION:

Top: Stainless Steel Tops are TIG welded, Exposed welds are polished to match adjacent surface.

OPTIONAL ACCESSORIES

MATERIAL:

Top: 16 gauge stainless Steel
Type 300 stainless steel with # 3 polish, satin finish

Bracing: 1 1/4" Round O.D. 18 gauge tubular galvanized steel

Legs: 1 5/8" Round O.D., 16 gauge tubular galvanized steel

Gussets: Galvanized Steel

Feet: 1" adjustable galvanized bullet feet

	MODEL #	Qty
DRAWER		
DRAWER LOCK		
CASTERS		
OVERSHELVES		
SINKS		
POT RACK		
WELDED SET-UP		

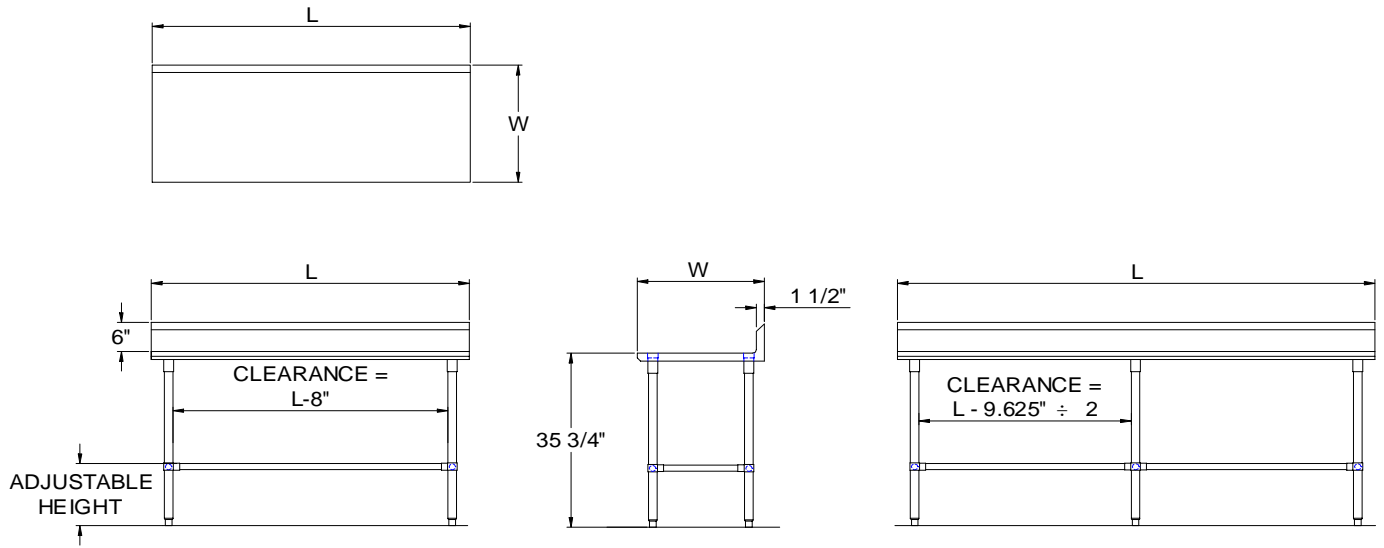
John Boos & Co

315 South First Street - Effingham, IL 62401

Phone: 217-347-7701 - Fax: 217-347-7705

Email: sales@johnboos.com - Web-site: www.johnboos.com

DETAILED SPECIFICATIONS



All units ship unassembled for reduced shipping cost.

Units 7 ft. and larger are furnished with six legs.

All dimensions are typical.

Tolerance +/- .500".

16 GAUGE TOP & BRACING

L	24" WIDE	WT.	30" WIDE	WT.	36" WIDE	WT.
36	ESS120	49	ESS126	53	-	-
48	ESS121	58	ESS127	64	ESS132	72
60	ESS122	69	ESS128	76	ESS133	80
72	ESS123	79	ESS129	87	ESS134	93
84	ESS123A	93	ESS129A	103	ESS134A	110
96	ESS124	107	ESS130	118	ESS135	127
108	ESS124A	117	ESS130A	130	ESS135A	139
120	ESS125	127	ESS131	141	ESS136	151

John Boos & Co

315 South First - Effingham, IL 62401 Phone: 217-347-7701 - Fax: 217-347-7705

Email: sales@johnboos.com - Web-site: www.johnboos.com



March 2009

John Boos is constantly engaged in a program of improving products and therefore reserves the right to change specification without prior notice