

Product Name	Apogee Counter-Top Induction Wok	Quantity		Item #	
--------------	----------------------------------	----------	--	--------	--



Note: Induction cooking requires the use of induction compatible (i.e. magnetic) pots and pans.



**Standard Features**

- Portable tabletop design with stainless steel housing, heavy duty electronic components and specially engineered, high-impact, high-temperature recessed glass-ceramic wok bowl designed for use in commercial kitchens
- Pan Maximizer feature and an induction coil that surrounds glass-ceramic bowl allow for maximum heating of induction compatible wok pans
- Sloped front panel allows for easy viewing and operation
- Microprocessor monitors vital components 120 times per second to check for overheating, power supply problems, and more. Wok unit shuts off and displays error codes enabling user to diagnose and correct minor problems
- LCD display panel and capacitive touch for precise user feedback and operation
- Built-in cooking timer
- Equipped with 100 precise power settings
- Automatic pan detection allows for instant energy transmission to pan, and almost no energy consumption when pan is not present
- Automatic shut-off feature prohibits overheating
- Integral grease filter and air baffle to ensure cleaner and cooler air intake
- Easy to clean glass-ceramic bowl and front panel
- Integral cooling fan keeps internal electronics cool

- Available in 1800 watts (100-120VAC), 2500 and 3500 watts (200-24VAC)
- 14" stainless steel induction compatible wok pan available as an accessory
- Three year limited warranty
- Made in the USA\*

**Specifications**

Shall be a CookTek counter-top induction wok, model \_\_\_\_\_ with a total kW rating of \_\_\_\_\_.

Unit shall be manufactured in the United States and constructed of a stainless steel housing with a specially engineered, high-impact, high-temperature recessed glass-ceramic wok bowl to accommodate a wok pan.

Unit shall be equipped with 100 precise power settings, auto shut-off to prevent overheating, self-diagnostics, and a pan maximizer feature that ensures maximum heating of any induction compatible wok pan.

Unit shall have LCD display panel and capacitive touch for precise user feedback.

Unit shall operate on \_\_\_\_\_ power with integral \_\_\_\_\_ cord and plug (supplied).

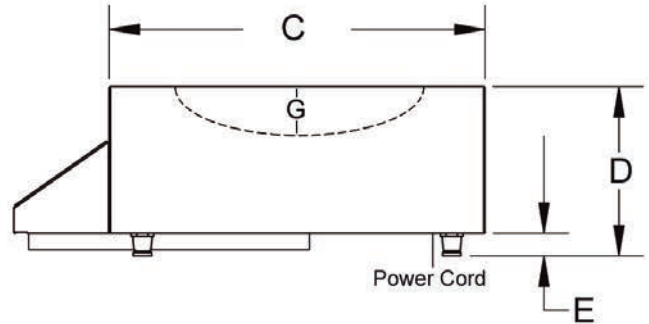
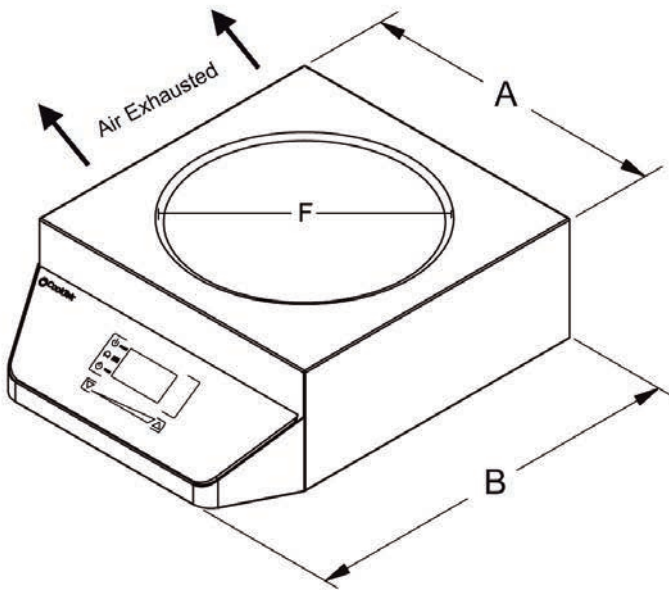
\*of USA and imported parts

**CookTek Induction Systems, LLC**  
 156 N. Jefferson St. Ste 300  
 Chicago, IL 60661-1436, USA  
 www.cooktek.com

Tel: 1.312.563.9600 Fax: 1.312.432.6220  
 Toll Free: 1.888.COOKTEK (266.5835)  
 Toll Free Fax: 1.888.COOKFAX (266.5329)



APOGEE COUNTER-TOP INDUCTION WOK MW1800G, MW2500G, MW3500G



Dimensions		
	inches	mm
A	15.43	391
B	19.43	493
C	15.50	393
D	7.38	187
E	1.25	31
F	11.75	298
G	2.00	50

- Dedicated circuit required
- Requires maximum (do not exceed) ambient temperature of 50°C/122°F
- Cooling clearance: 2" (55mm) for front and rear



### Specifications

Model Number	MW1800G	MW2500G	MW3500G
Power Requirements	100-120VAC, 1Ph	200-240VAC, 1Ph	200-240VAC, 1Ph
Power Consumption	1800W (max)	2500W (max)	3500W (max)
BTU Comparison	16,000 BTU	22,000 BTU	31,000 BTU
Voltage	100-120VAC, 50/60 Hz	200-240VAC, 50/60 Hz	200-240VAC, 50/60 Hz
Amperage	15A (max)	11A (max)	15A (max)
Power Range	100-1800W	100-2500W	100-3500W
Dimensions (in)	19.43" x 15.43" x 7.38"	19.43" x 15.43" x 7.38"	19.43" x 15.43" x 7.38"
Dimensions (mm)	493 x 391 x 187	493 x 391 x 187	493 x 391 x 187
Weight	23.3 lbs / 10.6 kg	23.3 lbs / 10.6 kg	23.3 lbs / 10.6 kg
Packaged Weight	26 lbs / 11.8 kg	26 lbs / 11.8 kg	26 lbs / 11.8 kg
Packaged Dimensions (in)	24" x 23" x 13"	24" x 23" x 13"	24" x 23" x 13"
Packaged Dimensions (mm)	609 x 584 x 330	609 x 584 x 330	609 x 584 x 330
Power Cord Length	6 ft / 1.8 m	6 ft / 1.8 m	6 ft / 1.8 m
Plug Type	NEMA 5-15P	NEMA 6-20P	NEMA 6-20P
Warranty	36 months limited parts and labor		

Note: Ambient air should not exceed 50°C/122°F. Dedicated circuit required. Many local codes exist, and it is the Owner and Installer's responsibility to comply with those codes. CookTek continually improves its products and reserves the right to change or improve specifications without notice.

**CookTek Induction Systems, LLC**  
 156 N. Jefferson St. Ste 300  
 Chicago, IL 60661-1436, USA  
 www.cooktek.com

Tel: 1.312.563.9600 Fax: 1.312.432.6220  
 Toll Free: 1.888.COOKTEK (266.5835)  
 Toll Free Fax: 1.888.COOKFAX (266.5329)