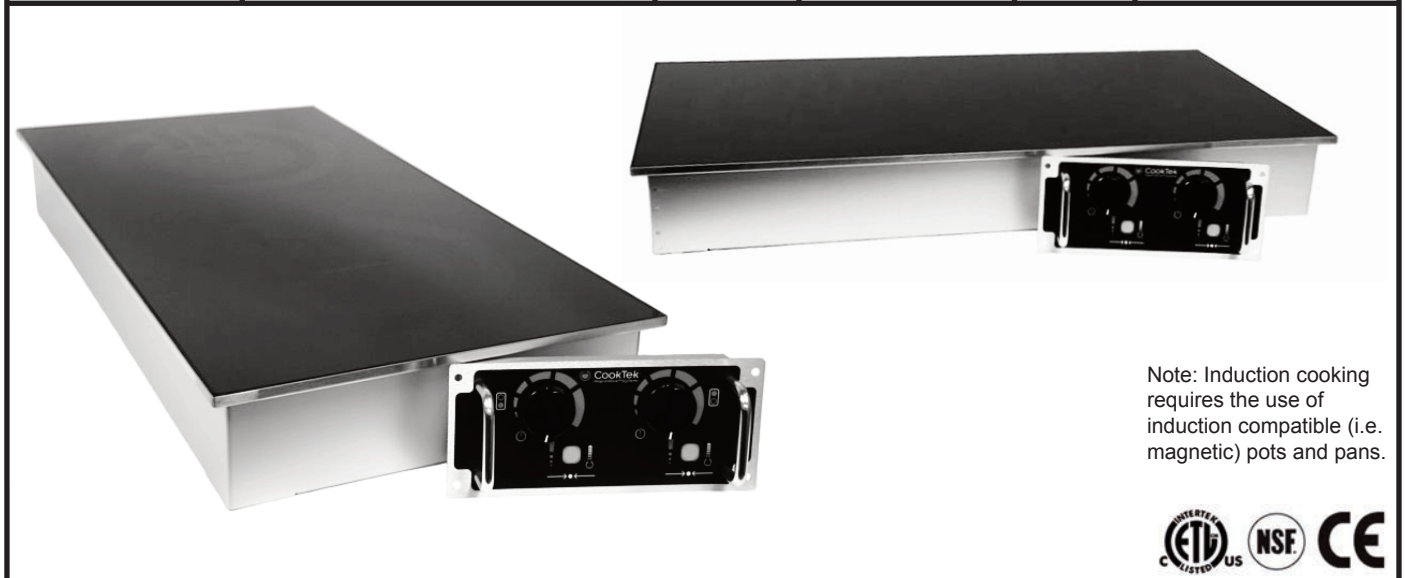


Product Name	Drop-in Double Burner Cooktop	Quantity		Item #	
--------------	-------------------------------	----------	--	--------	--



Note: Induction cooking requires the use of induction compatible (i.e. magnetic) pots and pans.



Standard Features

- Drop-in countertop design with stainless steel edging, aluminum housing and control box, heavy duty electronic components, and high impact, thick, glass-ceramic top engineered for use in commercial kitchens
- Available in front-to-back (F) and side-by-side (S) models
- Each induction burner has its own separate controls for independent operation and functionality
- Control knob for ease of use and automatic power or temperature control
- Temperature allows for 27 precise temperature settings and 20 power cook settings
- Pan Maximizer feature achieves maximum heating of any induction compatible pan
- Drop-in cooktops and control boxes engineered and manufactured for easy installation
- Microprocessor monitors vital components 120 times per second to check for overheating, power supply problems, and more. Cooktop shuts off and displays error codes enabling user to diagnose and correct minor problems
- LED display for precise user feedback
- Automatic pan detection allows for instant energy transmission to pan and almost no energy consumption when pan is not present
- Automatic shut-off feature prohibits overheating
- Easy to clean glass-ceramic top surface
- Integral cooling fan keeps internal electronics cool

- Available in 5000 or 7000 watts (200-240VAC) - 2500 or 3500 watts per burner
- Three year limited warranty
- Made in the USA*

Specifications

Shall be a CookTek drop-in double burner cooktop, model _____ with a total kW rating of _____.

Unit shall be manufactured in the United States and constructed with a stainless steel edging and a high impact, thick, glass-ceramic top.

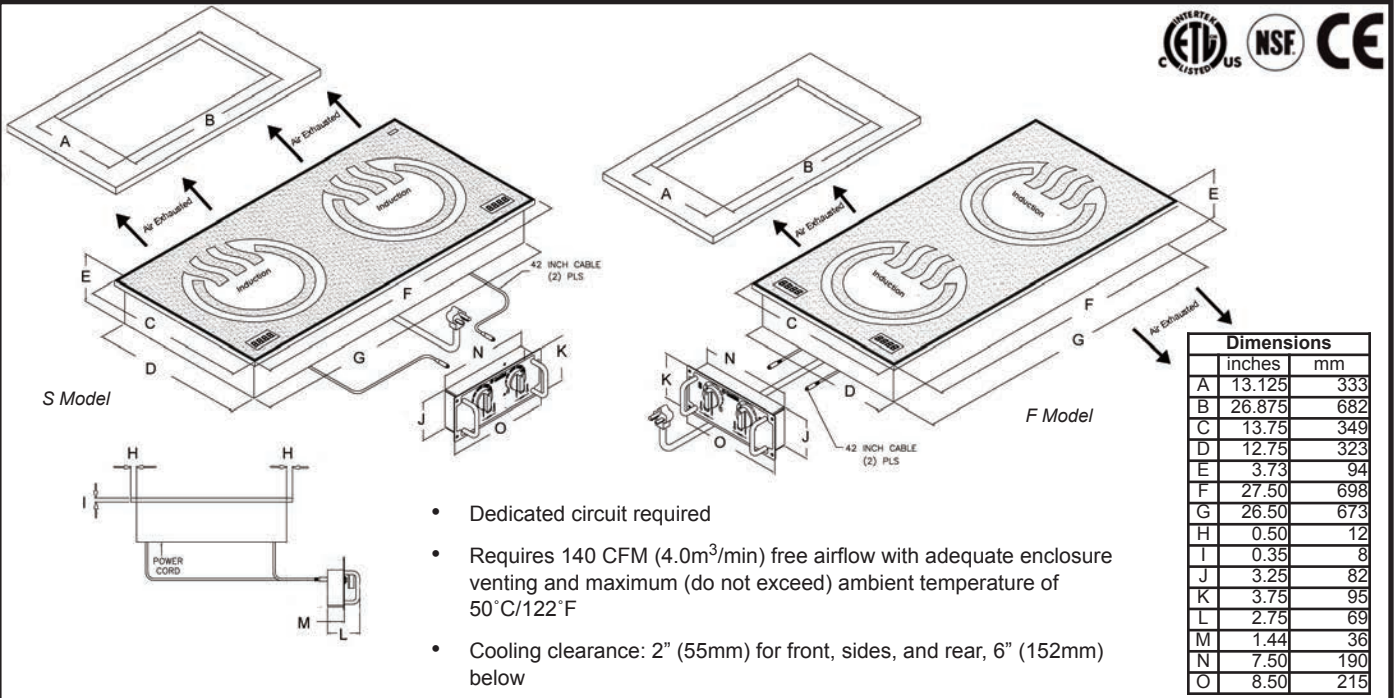
Unit shall be equipped with a built-in microprocessor that performs precise temperature control, auto shut-off to prevent overheating, self-diagnostics, and a pan maximizer feature that ensures maximum heating of any induction compatible pan.

Unit shall have an adjustable electronic control with 20 power cook settings and 27 precise temperature settings.

Unit shall have a LED display located underneath the top for precise user feedback.

Unit shall operate on _____ power with integral _____ cord and plug (supplied).

*of USA and imported parts


DROP-IN DOUBLE BURNER COOKTOP


- Dedicated circuit required
- Requires 140 CFM (4.0m³/min) free airflow with adequate enclosure venting and maximum (do not exceed) ambient temperature of 50°C/122°F
- Cooling clearance: 2" (55mm) for front, sides, and rear, 6" (152mm) below

Dimensions		
	inches	mm
A	13.125	333
B	26.875	682
C	13.75	349
D	12.75	323
E	3.73	94
F	27.50	698
G	26.50	673
H	0.50	12
I	0.35	8
J	3.25	82
K	3.75	95
L	2.75	69
M	1.44	36
N	7.50	190
O	8.50	215

Specifications

Model Number	MCD2502F	MCD2502S	MCD3502F	MCD3502S
Power Requirements	200-240VAC, 1 Ph	200-240VAC, 1 Ph	200-240VAC, 1 Ph	200-240VAC, 1 Ph
Power Consumption	5000W (max, 2x2500W)	5000W (max, 2x2500W)	7000W (max, 2x3500W)	7000W (max, 2x3500W)
BTU Comparison	2 x 22,000 BTU	2 x 22,000 BTU	2 x 31,000 BTU	2 x 31,000 BTU
Voltage	200-240VAC, 50/60 Hz	200-240VAC, 50/60 Hz	200-240VAC, 50/60 Hz	200-240VAC, 50/60 Hz
Amperage	22A (max)	22A (max)	60A (max)	60A (max)
Power Range	100-2500W per burner	100-2500W per burner	100-3500W per burner	100-3500W per burner
Temperature Range	85-500°F / 30-260°C	85-500°F / 30-260°C	85-500°F / 30-260°C	85-500°F / 30-260°C
Dimensions (in)	27.5" x 13.75" x 3.7"	13.75" x 27.5" x 3.7"	27.5" x 13.75" x 3.7"	13.75" x 27.5" x 3.7"
Dimensions (mm)	698 x 349 x 93	349 x 698 x 93	698 x 349 x 93	349 x 698 x 93
Cutout Dimensions (in)	26.875" x 13.125"	13.125" x 26.875"	26.875" x 13.125"	13.125" x 26.875"
Cutout Dimensions (mm)	682 x 333	333 x 682	682 x 333	333 x 682
Weight	30 lbs / 13.61 kg	30 lbs / 13.61 kg	30 lbs / 13.61 kg	30 lbs / 13.61 kg
Packaged Weight	40 lbs / 18.14 kg	40 lbs / 18.14 kg	40 lbs / 18.14 kg	40 lbs / 18.14 kg
Packaged Dimensions (in)	32" x 23" x 11"	32" x 23" x 11"	32" x 23" x 11"	32" x 23" x 11"
Packaged Dims. (mm)	812 x 584 x 279	812 x 584 x 279	812 x 584 x 279	812 x 584 x 279
Power Cord Length	6 ft / 1.8 m	6 ft / 1.8 m	6 ft / 1.8 m	6 ft / 1.8 m
Plug Type	NEMA 6-30P	NEMA 6-30P	NEMA 6-50P	NEMA 6-50P
Remote Ctrl Box Cord	42" / 1.07 m	42" / 1.07 m	42" / 1.07 m	42" / 1.07 m

Warranty: 36 months limited parts and labor

Note: Ambient air should not exceed 50°C/122°F. Dedicated circuit required. Many local codes exist, and it is the Owner and Installer's responsibility to comply with those codes. CookTek continually improves its products and reserves the right to change or improve specifications without notice.

CookTek Induction Systems, LLC
 156 N. Jefferson St. Ste 300
 Chicago, IL 60661-1436, USA
 www.cooktek.com

Tel: 1.312.563.9600 Fax: 1.312.432.6220
 Toll Free: 1.888.COOKTEK (266.5835)
 Toll Free Fax: 1.888.COOKFAX (266.5329)

COOKTEK