



ColdTech – Culinary Coolness

Stainless Steel Three Door Commercial Refrigerator CRR720-3



Highlights:

- Solid, durable, three door, high grade, 300 series, stainless steel interior & exterior (except backs) providing commercial kitchens with a long-lasting, easy to clean refrigerator.
- Digital temperature controls on the outside of the unit for easy programming.
1° C to 6° C/33° F to 43° F
- The **ColdTech Commercial** Warranty: 3 years bumper-to-bumper & a total of 5 years warranty on the compressor. Call **ColdTech Commercial** directly for repairs & service 24/7/365. It's the best warranty in commercial refrigeration.
- We make it easy. Recessed door handles for easy cleaning, bottom-mounted compressor for easy access, auto-defrost, & free standing with four, black casters for easy moving.
- Energy Star rated to help maximize your energy and dollar savings.
- Nine movable, plastic coated, steel shelves holding up to 80 kg/176.4 lbs each and internal incandescent lighting.



Watch Our Videos Online:
ColdTechCommercial.com/Videos

Features:

- Large gross capacity of 72 cu. ft. / 2040 L to get the maximum amount of refrigeration per cabinet size.
- Ventilated cooling system.
- North American standard safety & sanitation.
- Stainless steel drip tray under the evaporator.
- Net weight 300 kg/661.4 lbs & Gross weight 360 kg/793.7 lbs
- Efficient condenser and evaporator made from copper piping with aluminum fin for faster cooling and superior efficiency.
- Bottom mounted sealed systems for cooler operating environment allowing your compressor to work less to keep consistent cool.
- Housing and liner material are durable, food safety friendly, high quality, 300 series stainless steel.
- Temperature ranges from 1° C to 6° C/33° F to 43° F

Stainless Steel

Solid, Durable high grade, 300-series, interior and exterior

Warranty

3 Years bumper to bumper & a total of 5 years warranty on the compressor

Digital Display

Digital temperature controls on the outside of the unit for easy programming

ColdTechCommercial.com
Toll free: 1-855-241-3251 FAX: 1-877-298-8278
email: info@coldtechcommercial.com





ColdTech – Culinary Coolness

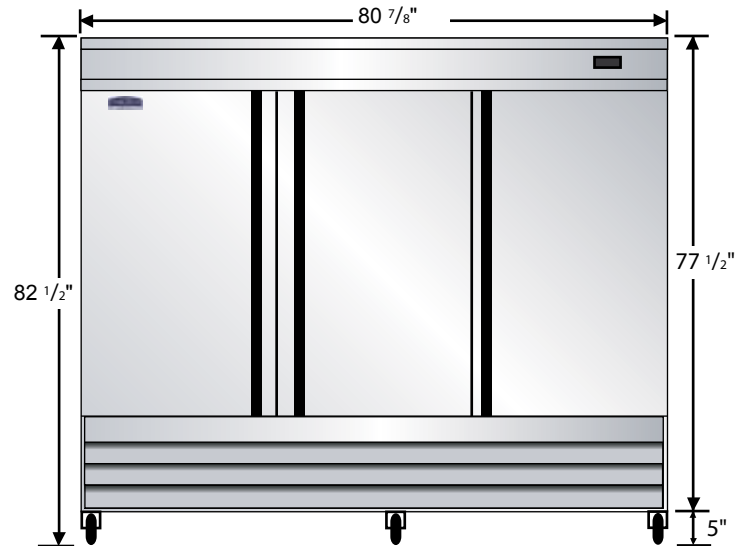
Specifications:

Voltage: 115 volts/20 amp circuit
 Amperage: 10.4 amps/856 W
 Compressor Power: 1054 W
 Hp: 1-1/2 horsepower
 dB: 72
 Free Standing
 Gross Capacity: 72 cu.ft./2040 L
 Refrigerant Type:
 CFC Free R134a
 Blowing Agent:
 CFC Free polyurethane
 Temperature Range:
 • 1°C to 6°C
 • 33° F to 43°F
 Thermostat/Temperature Display:
 Digital
 Doors: Self closing, recessed handles, 300 series stainless steel
 Shelving: Plastic coated steel holds up to 80 kg/176.4 lbs
 Interior Lighting:
 1 incandescent yellow bulb
 Casters: 6
 Cord Length: 112 3/16"/2850 mm
 Unit Dimensions (W x H x D):
 2054 mm x 2095 mm x 818 mm
 80 7/8" x 82 1/2" x 32 3/16"
 Carton Dimensions (W x H x D):
 2115 mm x 2140 mm x 880 mm
 83 1/4" x 84 1/4" x 34 5/8"
 Shipping Cube:
 142.67 cu.ft./4.04 cbm
 Net Weight: 300 kg /661.4 lbs
 Gross Weight: 360 kg /793.7 lbs

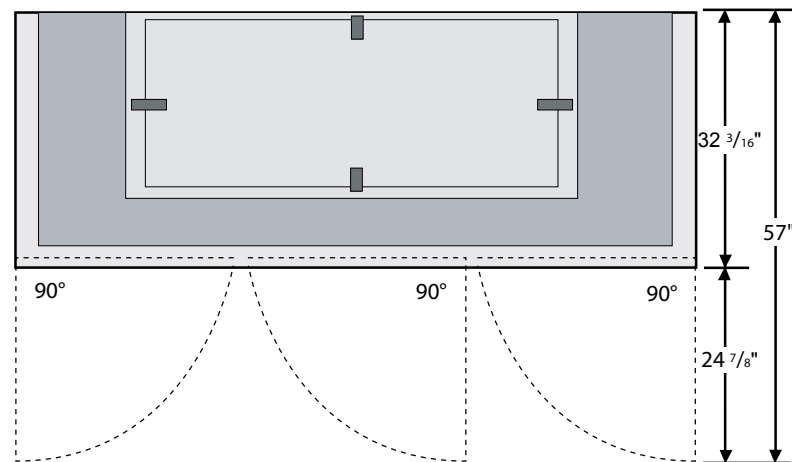
Stainless Steel Three Door Commercial Refrigerator CRR720-3



Elevation:



Top View:



Plug:



5-20p

Certifications:



Specifications subject to change without notice. 031512

ColdTechCommercial.com
 Toll free: 1-855-241-3251 FAX: 1-877-298-8278
 email: info@coldtechcommercial.com

