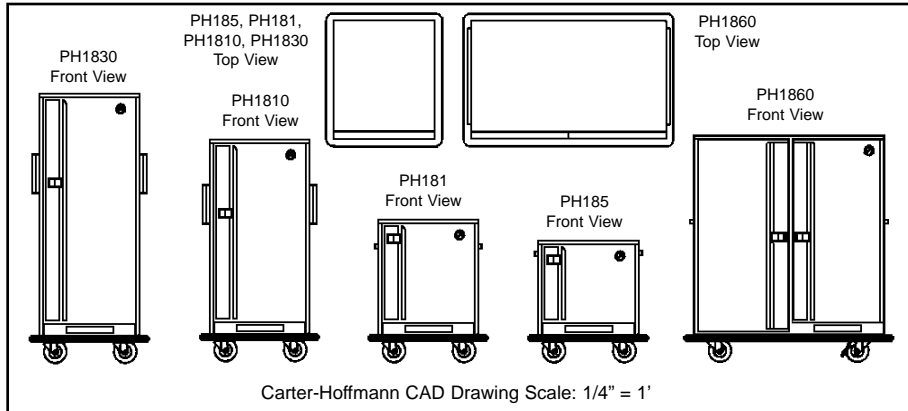




PH185, PH181, PH1810, PH1830 & PH1860 HEATED TRANSPORT CARTS

(bottom mounted heating system)
Universal Slides

CARTER-HOFFMANN
311
FOOD SERVICE EQUIPMENT
HEATED TRANSPORT CARTS



Model Number	Tray/Pan Capacity*		Slide Pairs Standard	Inside Working Height		Overall Dimensions						Caster Diameter		Shipping Weight	
	18"x26"	12"x20"		in	mm	Height		Depth		Width		in	mm	lbs	kgs
						in	mm	in	mm	in	mm				
<input type="checkbox"/> PH185	5	10	5	207/8	530	30 1/2	775	36	914	30 5/8	778	3	76	225	102
<input type="checkbox"/> PH181	6	12	6	23 1/2	597	36 1/8	918	36	914	30 5/8	778	5	127	240	109
<input type="checkbox"/> PH1810	13	26	13	46	1168	58	1803	36	914	30 5/8	778	5	127	385	175
<input type="checkbox"/> PH1830	16	31	16	57 1/4	1454	71	1473	36	914	30 5/8	778	6	152	425	193
<input type="checkbox"/> PH1860	26	52	26	46	1168	59 1/4	1505	36	914	55 7/8	1419	6	152	568	258

* Capacity shown at 3 1/2" spacing. Tray slides adjustable on 1 3/4" increments.

CONSTRUCTION... Completely welded cabinet construction and top corners, with outer cabinet formed to base and welded. All seams turned in to eliminate raw edges.

CABINET MATERIAL... All stainless steel construction; 20 gauge polished exterior and 24 gauge interior.

BASE FRAME... 12 gauge stainless steel full depth bolsters with 1"x1" 14 gauge stainless steel perimeter tube supports welded to bolsters.

CASTERS... PH185: 3" rubber tread. PH181, PH1810, PH1830, PH1860: 5" & 6" diameter polyurethane tread. All swivel on PH185, PH181, PH1820 and PH1830. Two swivel and two rigid on PH1860. Sealed roller bearing and double ball bearing swivel. Zerk grease fittings. Plated mounted and bolted to base in offset wheel-ahead pattern. Two casters fitted with brakes.

BUMPER... Non-marking gray vinyl bumper set in heavy-duty 3/16" thick extruded aluminum frame with reinforced corner cut-outs.

INSULATION... High density fiberglass, full 1" thick continuous wrap-around type insulation.

DOOR(S)... Double panel welded stainless steel with heavy-duty vinyl gasket. 20 gauge polished exterior and 24 gauge interior. Filled with 1" thick high density fiberglass insulation.

HINGES... Concealed, stainless steel hinge with 5/15" pin. 180 degree door swing.

LATCH... Flush mounted heavy-duty sliding latch for positive closing of door. Easy grip handle bolted to door.

HANDLES... Two heavy-duty aluminum push handles mounted to each end of cabinet.

TRAY RACK ASSEMBLIES... 16 gauge universal slides, fully adjustable at 1 3/4" spacing, placed into 18 gauge stainless steel rack post. Standard spacing at 3 1/2".

THERMOMETER... Dial type with remote sensing bulb. Located on side of cabinet. Protected by lexan thermometer cover.

HEATING SYSTEM... Bottom-mounted, all stainless steel construction. Removable without tools. 1600 watt inconel-sheathed heating element. High impedance protected, internally cooled fan motor. Full range thermostat, remote sensing bulb & power indicating light.

ELECTRICAL CHARACTERISTICS... Operates on 120 volts, 60 cycle, single phase, 1650 watts, 13.7 amps. Ten foot 3 wire rubber cord with 3 prong grounding plug. NEMA 5-20P.

PERFORMANCE... Capable of heating to 200° F (94° C). Preheat to 160° F (71° C) in approximately 25 minutes.

ACCESSORIES/OPTIONS...

- Transport latch with padlock hasp
- Side mounted transport latch
- Stainless steel tubular handle(s)
- Locking door latch
- Tamper resistant fasteners
- Alternate caster sizes and types
- Rack & heater security hold downs
- Menu card colder
- Correctional package
- Alternate Electrical Configurations
- High temperature stainless steel door gaskets
- Protective Lexan thermometer cover
- Removable canned heat unit

Specifications subject to change through product improvement & innovation.

SPECIFICATIONS



CARTER-HOFFMANN
1551 McCormick Ave., Mundelein, IL 60060
(847) 362-5500 • (800) 323-9793 • Fax (847) 367-8981



Printed in U.S.A. F25 0908
Carter-Hoffmann is a trademark
of Carter-Hoffmann LLC

FEATURES & BENEFITS

PH185, PH181, PH1810, PH1830 & PH1860 HEATED TRANSPORT CARTS

Since 1947, foodservice equipment that delivers!

FLUSH MOUNTED SLIDING DOOR LATCH... Exclusively designed for transport applications. Door remains closed during transport. Flush design protects latch from damage.

HEAVY-DUTY STAINLESS STEEL BASE FRAME... 12 gauge caster bosters with 1"x1" stainless steel perimeter channel supports to withstand heavy loads and harsh transport conditions.



PH1830

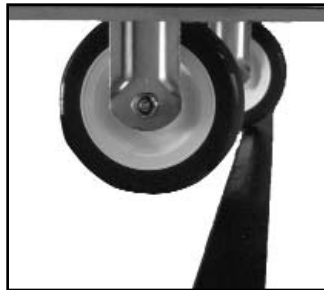
COMPLETELY WELDED TURNED-IN SEAM CONSTRUCTION... Outer cabinet formed and welded to base. All seams turned in the eliminate raw edges. Adds rigidity to entire cabinet.

NON-MARKING GRAY VINYL BUMPER... Set in heavy-duty 3/16" thick extruded aluminum frame with reinforced corner cut-outs. Protects doorways, walls and cart from damage.

POLYURETHANE TREAD CASTERS WITH SEALED ROLLER BEARING... Long lasting, easy rolling for maximum load and minimum maintenance.



HIGH PERFORMANCE HEATER... Blower heating system with side mounted interior heat ducts for fast heat up, recovery and even heat distribution throughout cabinet. Removable without tools for easy maintenance and cleaning.



OFFSET "WHEEL AHEAD" PATTERN... Only one wheel can pass over uneven surfaces at a time for easy handling and steering.



UNIVERSAL TRAY/PAN SLIDES... Heavy-duty stainless steel slides are adjustable on 1-3/4" centers (standard spacing at 3-1/2"). Accommodate 12"x20" steam table pans, 18"x26" sheet pans, 1/1 and 2/1 gastronorm pans, and 20"x20" glass racks.

1551 McCormick Avenue, Mundelein, Illinois 60060
Tel. (847)362-5500 • (800)323-9793 • Fax (847)367-8981
www.carter-hoffmann.com

