

FOCUS

FOODSERVICE, LLC

Item # \_\_\_\_\_

Job \_\_\_\_\_

**FOCUS COMMERCIAL JUICE PRESSES - OLYMPUS™ & JUPITER™**



97302



97336



## COMMERCIAL JUICE PRESSES

### Olympus™ and Jupiter™

The highly efficient 3 pinion design exerts maximum pressure with minimal effort. Large opening between base legs allows for larger containers to be used for juice collection for more efficient operation. Wide base design for greater stability. 18-8 stainless steel perforated strainer cone and funnel cup remove for easy cleaning. Rubberized handle stop provides quiet operation. Each unit packed in a full color trilingual box.

- **Durability:** Constructed of ultra-strong cast iron
- **Finish:** Enamel coating resists citrus acids, pitting & corrosion
- **Ergonomic:** Sure grip rubber handles are easy to hold & use
- **Stability:** Wide base and rubber suction cup feet for safe operation
- **Color Choices:** Available in black or white to match any décor

| Item# | Description                                | Color | Pack |
|-------|--|-------|------|
| 97302 | Olympus Extra Large Commercial Juice Press | White | 2    |
| 97306 | Olympus Extra Large Commercial Juice Press | Black | 2    |
| 97332 | Jupiter Large Commercial Juice Press       | White | 2    |
| 97336 | Jupiter Large Commercial Juice Press       | Black | 2    |

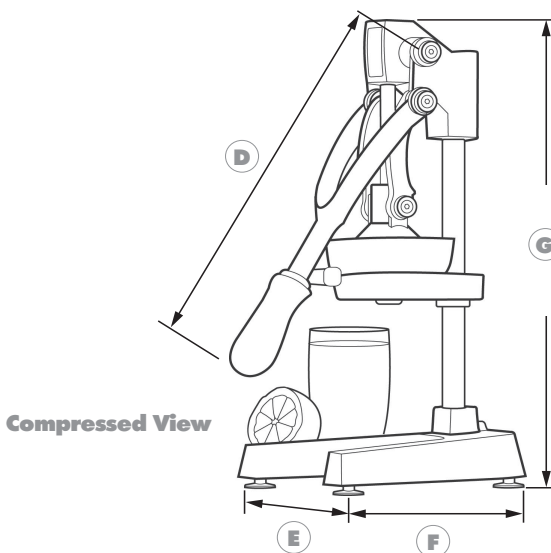
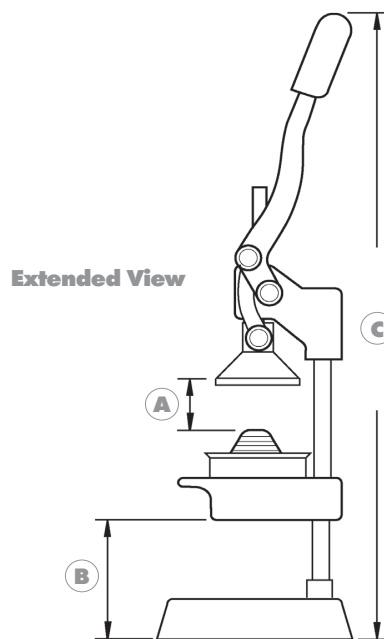
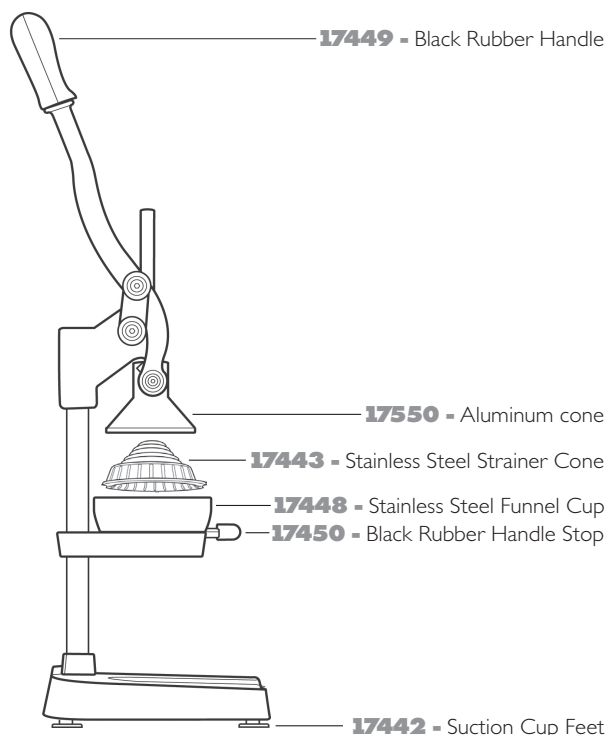
Focus Foodservice, LLC • 300 Knightsbridge Parkway, Suite 500 • Lincolnshire, IL 60069 • [www.focusfoodservice.com](http://www.focusfoodservice.com)

# FOCUS COMMERCIAL JUICE PRESSES **Job** \_\_\_\_\_

## OLYMPUS™ & JUPITER™

(97302, 97306, 97332, 97336)

### SPECIFICATIONS: PART NUMBERS AND MEASUREMENTS



| Item#         | A            | B               | C                | D               | E              | F               | G              |
|---------------|--------------|-----------------|------------------|-----------------|----------------|-----------------|----------------|
| 97302 - 97306 | 2.28" (58mm) | 6.00" (152.4mm) | 30.16" (152.4mm) | 14.16" (360mm)  | 7.387" (185mm) | 9.25" (235mm)   | 18" (458mm)    |
| 97332 - 97336 | 2.19" (56mm) | 5.08" (129mm)   | 27.16" (690mm)   | 13.5" (342.9mm) | 7.25" (184mm)  | 8.75" (222.3mm) | 14.68" (373mm) |



Focus Foodservice, LLC • 300 Knightsbridge Parkway, Suite 500 • Lincolnshire, IL 60069  
**Phone 800-968-3918 • Fax 800-968-4129 • www.focusfoodservice.com**

rev. 0611