

### 1222, 2 Gallon 1225, 1226 5 Gallon Automatic Hot Water Dispensers

Bloomfield Hot Water Dispenser offers a solution for high demand hot water dispensing. Designed for ease of operation and service with technician-free installation and start-up. It's a foolproof way to always have hot water available for a wide variety of products.

#### Features

- **Rear panel tank heat switch** de-energizes water tank heating element for initial water fill.
- **Power light** indicates electrical power to dispenser.
- **Ready-To-Dispense light** indicates the proper water temperature to help eliminate the guesswork in operation.
- **Premium Quality Thermostat** is factory preset at 199°F, and is easily adjustable through a removable side button plug.
- Exclusive design provides **easy one panel access** to components for quick service and cleaning.
- A high level of **commonality of parts** with other Bloomfield brewers will significantly reduce the inventory of spare parts required to service.



- **Unique water valve with built-in flow control** and stainer assures consistent operation at 20-90 p.s.i.
- **Drain system** in water tank for ease of cleaning.
- High quality easy to clean **stainless steel construction**.
- **Space Saving** design, only 7" wide.

AUTOMATIC HOT WATER DISPENSERS

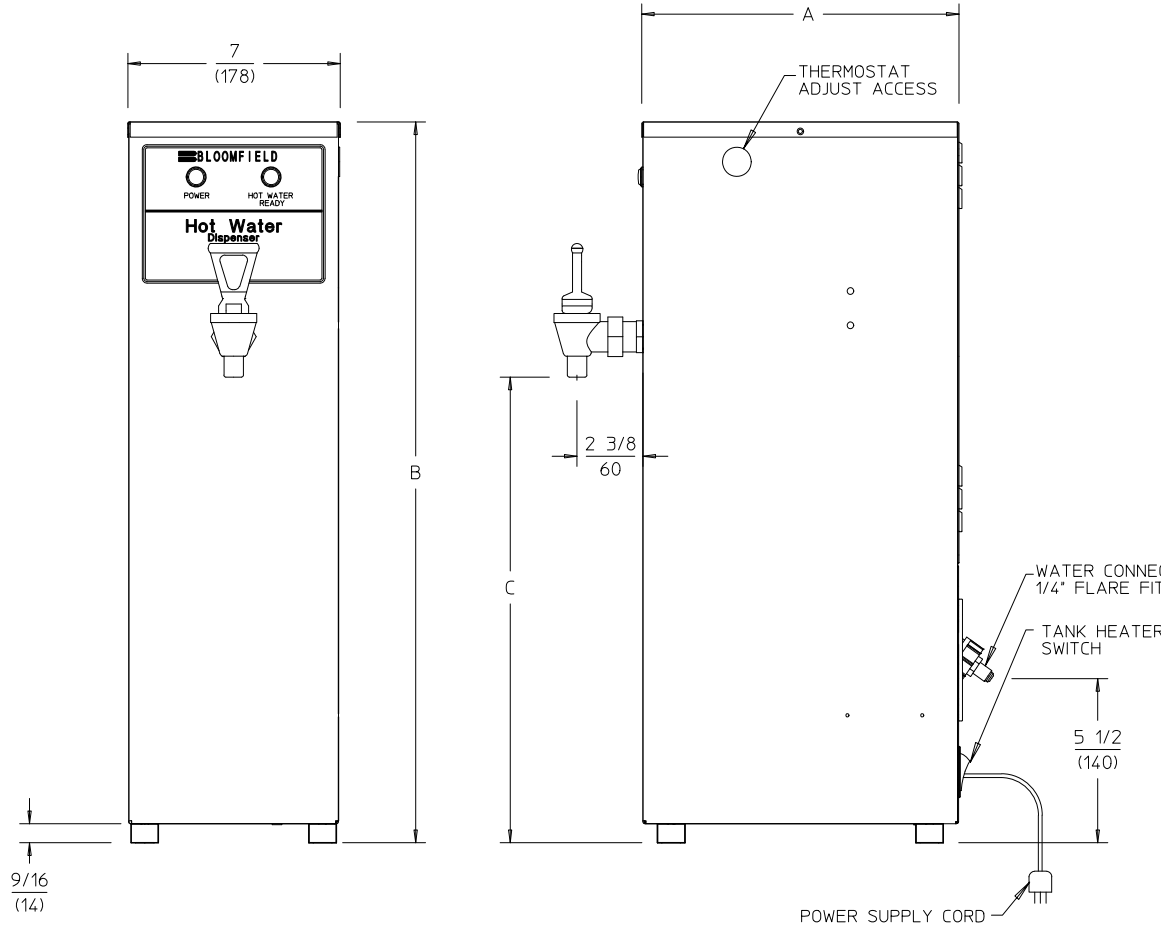


# BLOOMFIELD

MODELS 1222, 1225, 1226



DIMENSIONS:  $\frac{\text{INCH}}{\text{(MM)}}$



**SPECIFICATIONS:**

MODELS	WATTS	VOLTS	AMPS	PHASE	POWER CORD	A	B	C
1222	1800	120	15	SINGLE	NEMA 5-15P	10 1/2 (287)	23 5/8 (600)	15 1/2 (394)
1225	4000	208	19	SINGLE	NEMA 6-30P	14 1/4 (362)	27 1/4 (692)	17 (431)
1226	4000	240	16.5	SINGLE	NEMA 6-30P	14 1/4 (362)	27 1/4 (692)	17 (431)

Meets Canadian standards

NOTE: Specifications are subject to change without notice and are not intended for installation purposes. See operation and maintenance manual for complete instructions.

ACCESSORIES: See the Bloomfield Brew Brew product catalog for a complete listing of brewers and accessories.

**BLOOMFIELD INDUSTRIES**  
 2 ERIK CIRCLE, PO BOX 280, VERDI, NV 89439 U.S.A.  
 U.S.A.: (775) 689-5700 • (888) 356-5362 • FAX (800) 356-5142  
 Canada: (877) 507-1700 • (905) 507-1700 • FAX (905) 507-1777  
 Export: (775) 689-5700 • FAX (775) 689-5975  
 www.wellsbloomfield.com  
 ©2005 BLOOMFIELD INDUSTRIES • PRINTED IN THE U.S.A.  
 12/05 • REV (A) • NO. 76575

