

## MMRF72 NAMING CONVENTION

FREEZER	REFRIGERATOR	REFRIGERATOR
LH	RH	RH

**MMRF72-1-BW-A**

REFRIGERATOR	FREEZER	FREEZER
LH	RH	RH

**MMRF72-1-BW-B**

REFRIGERATOR	REFRIGERATOR	FREEZER
LH	RH	RH

**MMRF72-1-BW-J**

FREEZER	FREEZER	REFRIGERATOR
LH	RH	RH

**MMRF72-1-BW-K**

**MODEL FAMILY**      **VOLTAGE**      **COLOR**      **COOLER CONFIGURATION**  
**MMRF72**              **1**              **SEE LIST BELOW**      **SEE CHART BELOW**

<b>VOLTAGE</b>
1 = 115V

COLOR COMBINATIONS WITH BOTH CABINET INTERIORS BEING THE SAME		
BW	BLACK EXTERIOR / WHITE INTERIOR	
WW	WHITE EXTERIOR / WHITE INTERIOR	
SW	STAINLESS EXTERIOR / WHITE INTERIOR	
BB	BLACK EXTERIOR / BLACK EXTERIOR	
BS	BLACK EXTERIOR / STAINLESS INTERIOR	
WB	WHITE EXTERIOR / BLACK INTERIOR	
WS	WHITE EXTERIOR / STAINLESS INTERIOR	
SS	STAINLESS EXTERIOR / STAINLESS INTERIOR	
S/B	STAINLESS EXTERIOR / BLACK INTERIOR	

**Example:** Customer orders a **MMRF72-1-BW-A**. Exterior will be **black**. Interior of the freezer **AND** the refrigerators will be **white**. The interior of the refrigerator and freezer sections will be the **same color**. In this case, white.

COOLER CONFIGURATIONS - (SINGLE DOOR ON LEFT-TWO DOOR ON RIGHT)	
DESIGNATION	
A	FREEZER ON THE LEFT WITH LEFT HAND HINGED DOOR, 2 DOOR REFRIGERATOR ON THE RIGHT WITH RIGHT HAND HINGED DOORS
B	REFRIGERATOR ON THE LEFT WITH LEFT HAND HINGED DOOR, 2 DOOR FREEZER ON THE RIGHT WITH RIGHT HAND HINGED DOORS
C	FREEZER ON THE LEFT WITH LEFT HAND HINGED DOOR, 2 DOOR REFRIGERATOR ON THE RIGHT WITH LEFT HAND HINGED DOORS
D	REFRIGERATOR ON THE LEFT WITH LEFT HAND HINGED DOOR, 2 DOOR FREEZER ON THE RIGHT WITH LEFT HAND HINGED DOORS
E	FREEZER ON THE LEFT WITH RIGHT HAND HINGED DOOR, 2 DOOR REFRIGERATOR ON THE RIGHT WITH RIGHT HAND HINGED DOORS
F	REFRIGERATOR ON THE LEFT WITH RIGHT HAND HINGED DOOR, 2 DOOR FREEZER ON THE RIGHT WITH RIGHT HAND HINGED DOORS
G	FREEZER ON THE LEFT WITH LEFT HAND HINGED DOOR, 2 DOOR REFRIGERATOR ON THE RIGHT WITH LEFT/RIGHT HAND HINGED DOORS
H	REFRIGERATOR ON THE LEFT WITH LEFT HAND HINGED DOOR, 2 DOOR FREEZER ON THE RIGHT WITH LEFT/RIGHT HAND HINGED DOORS

COOLER CONFIGURATIONS - (TWO DOOR ON LEFT- SINGLE DOOR ON RIGHT)	
DESIGNATION	
J	2 DOOR REFRIGERATOR ON THE LEFT WITH LEFT/RIGHT HAND HINGED DOORS, SINGLE DOOR FREEZER ON THE RIGHT WITH RIGHT HAND HINGED DOOR
K	2 DOOR FREEZER ON THE LEFT WITH LEFT/RIGHT HAND HINGED DOORS, SINGLE DOOR REFRIGERATOR ON THE RIGHT WITH RIGHT HAND HINGED DOOR
L	2 DOOR FREEZER ON THE LEFT WITH LEFT HAND HINGED DOORS, SINGLE DOOR REFRIGERATOR ON THE RIGHT WITH LEFT HAND HINGED DOOR
M	2 DOOR REFRIGERATOR ON THE LEFT WITH LEFT HAND HINGED DOORS, SINGLE DOOR FREEZER ON THE RIGHT WITH LEFT HAND HINGED DOOR
N	2 DOOR FREEZER ON THE LEFT WITH RIGHT HAND HINGED DOORS, SINGLE DOOR REFRIGERATOR ON THE RIGHT WITH RIGHT HAND HINGED DOOR
P	2 DOOR REFRIGERATOR ON THE LEFT WITH RIGHT HAND HINGED DOORS, SINGLE DOOR FREEZER ON THE RIGHT WITH RIGHT HAND HINGED DOOR
Q	2 DOOR REFRIGERATOR ON THE LEFT WITH LEFT HAND HINGED DOORS, SINGLE DOOR FREEZER ON THE RIGHT WITH RIGHT HAND HINGED DOOR
R	2 DOOR FREEZER ON THE LEFT WITH LEFT HAND HINGED DOORS, SINGLE DOOR REFRIGERATOR ON THE RIGHT WITH RIGHT HAND HINGED DOOR



# BEVERAGE-AIR

3779 Champion Blvd., Winston-Salem, NC 27105  
1-888-845-9800 Fax# 1-336-245-6453  
<http://www.Beverage-Air.com>

## Commercial Refrigeration Equipment General Specification

### MARKETMAX DUAL TEMPERATURE GLASS DOOR MERCHANDISER

Triple section, DUAL TEMPERATURE glass door merchandiser with lighted sign panel used for merchandising and storage of product.

#### CABINET CONSTRUCTION

Heavy duty construction includes white coated steel interior walls. White or black exterior finishes are heavy-duty steel with a baked on durable coating. Stainless steel interior option available, which makes unit certified for open food products.

Foamed-in-place CFC and HCFC-free polyurethane insulation.  
Modern, one-piece grille is easily removed for cleaning and servicing.

Freezer section has heated triple pane glass. Inside and outside panes are tempered for added safety. Anti-microbial door handles are standard. Doors provide automatic hold-open feature.

Lighted sign panel.

#### SHELVING

Five (5) heavy duty epoxy coated wire shelves per section standard.  
Four (4) shelf clips included per shelf (field installed).  
Shelves are adjustable in 1/2" increments.

#### ELECTRONIC CONTROL

Electronic thermostat with manual defrost (*freezer*) button provides a digital display of cabinet temperatures, which includes status indicators and key pad for any necessary temperature adjustments.

#### REFRIGERATION

Self-contained bottom mount refrigeration system. Expansion valve refrigerant control on freezer section provides quick temperature pull down and reduces compressor run time—meaning reduced energy consumption. Includes automatic condensate disposal. Refrigerators utilize ozone friendly R134a refrigerant. Freezer section utilizes ozone friendly R404A refrigerant and its defrost system is fully automatic, time-initiated and temperature terminated operation.

Freezer section product temperatures from -10°F to -15°F.  
Refrigerator section product temperatures from 36°F to 38°F.

#### ELECTRICAL

Interior fluorescent lighting enhances product illumination.  
Optional LED lighting provides hidden light source for increased product visibility. LED bulbs last up to 10 times longer compared to fluorescent bulbs and renders additional energy savings due to reduced wattage load on compressor.

Refrigerator section(s) wired at factory and ready for connection to a 115/60/1 phase, 15 amp dedicated outlet. Freezer section(s) wired at factory and ready for connection to a 115/60/1 phase, 20 amp dedicated outlet. 8' long cord and plug set included.

Item No. \_\_\_\_\_  
Quantity \_\_\_\_\_

**HINGED GLASS DOOR  
MARKETMAX®  
DUAL-TEMP  
MERCHANDISER SERIES  
MMRF72 Refrigerator/Freezer  
Triple Door**

**MODELS:  
MMRF72-1-B  
MMRF72-1-W  
MMRF72-1-B-LED  
MMRF72-1-W-LED**



**MMRF72-1-B**  
(SHOWN IN BLACK EXTERIOR)  
White and S/S Exterior  
finishes available

#### SPECIAL FEATURES

- Anti-microbial door handles
- Electronic control with digital display
- Lighted sign panel
- Optional LED lighting
- **Flexible door configurations:** (see page 2)
- **Available options:** S/S Exterior, Black Interior, Wine Racks, Black Shelves, Spring Feed Dividers, Casters, Audible Alarm, Optional Headers in Black, White or Stainless, Optional Customized Graphics



115/60/1  
NEMA-5-15P



115/60/1  
NEMA-5-20P  
Freezer

#### ELECTRICAL CONNECTION

Units pre-wired at factory and include 8' long cord and plug set.

Available From:



\*Note: Not all markings may apply to all model variations.

<b>Model Specified</b> _____	<b>Store#</b> _____
<b>Location</b> _____	<b>Quantity</b> _____



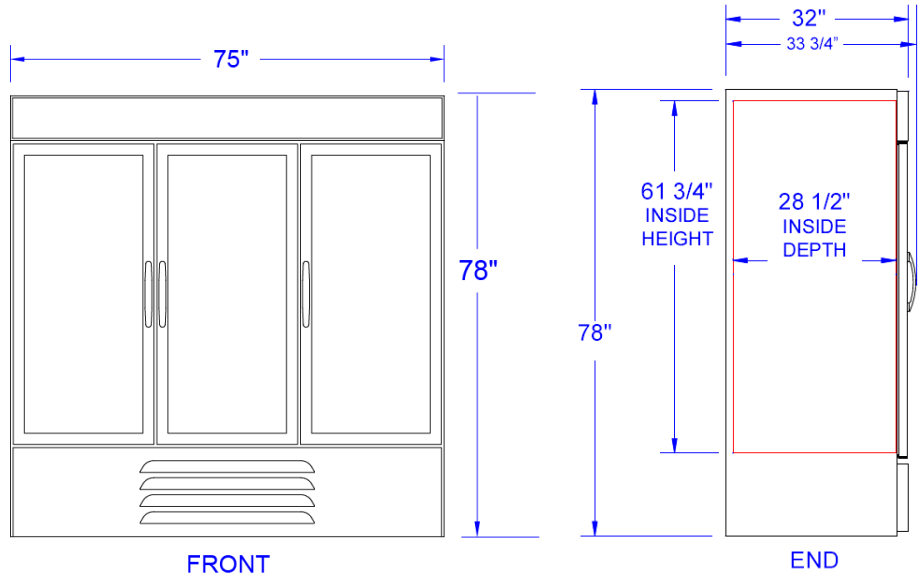
## MarketMax™ Glass Door Merchandisers

**Model:** MMRF72-1-B, MMRF72-1-W, MMRF72-1-B-LED, MMRF72-1-W-LED

**Note:** For door configurations not listed, contact factory.

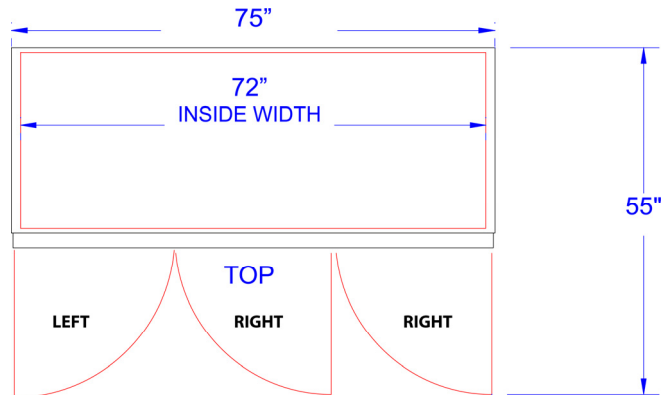
MODEL	MMRF72
<b>EXTERNAL DIMENSIONAL DATA</b>	
Length Overall (inches)	75"
Length Overall (mm)	1905
Depth Overall (inches) - includes handle	33 3/4"
Depth Overall (mm) - includes handle	857
Height Overall— (inches)	78"
Height Overall— (mm)	1981
Number of doors	3
Depth with Door Open 90 °	55"
<b>INTERNAL DIMENSIONAL DATA</b>	
NET Capacity (cubic ft.)	72
NET Capacity (Liters)	2039
Internal Length Overall (inches)	72"
Internal Length Overall (mm)	1829
Internal Depth Overall (inches)	28 1/2"
Internal Depth Overall (mm)	724
Internal Height Overall—(inches)	61 3/4"
Internal Height Overall—(mm)	1569
Number of shelves	15
<b>ELECTRICAL DATA</b>	
Full Load Amperes 115/60/1 (Freezer sections)	10.9 A*
Full Load Amperes 115/60/1 (Refrigerator sections)	8.8 A*
<b>REFRIGERATION DATA</b>	
Horsepower (Freezer sections)	1/2*
Horsepower (Refrigerator sections)	1/3*
<b>WEIGHT DATA</b>	
Gross Weight (Crated lbs)	775
Gross Weight (Crated kg)	352

## PLAN VIEWS



FRONT

END



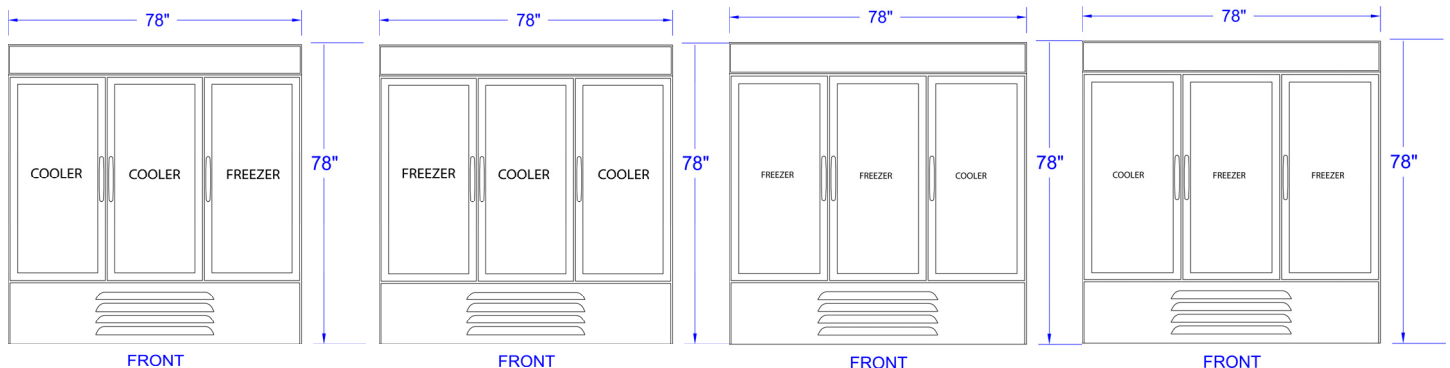
**STANDARD DOOR HINGE TEMPLATE SHOWN**  
(FOR ADDITIONAL HINGE OPTIONS, CONTACT FACTORY.)



\*Note: Amps & hp subject to change based on door configurations.

\*Note: Not all markings may apply to all model variations.

## CONFIGURATIONS (CHOOSE 1—SPECIFY AT TIME OF ORDER)



## BEVERAGE-AIR® CORPORATION

3779 Champion Blvd. • Winston-Salem, NC 27105 USA • (336) 245-6400 • Fax (336) 245-6453 • (888) 845-9800 • www.beverage-air.com

Specifications are subject to change without prior notice. 08/12