



STAINLESS STEEL
DROP-IN SINKS

Three Compartments - FOR GENERAL PURPOSE USE

Sinks Includes Faucet & Drain

Item #: _____ *Qty #:* _____
Model #: _____
Project #: _____

FEATURES:

One piece seamless **Deep Drawn** sink bowl design.
 All sink bowls have a large liberal radii with a minimum dimension of 2" and are rectangular in design for increased capacity.
 Self-Rim Design. Mounting hardware is provided. For counters over 7/8" and up to 1-1/2" thick, please order Thick-Counter Mounting Clips for Drop-In Sinks, **Model # K-28 Per Sink**. (Quantity supplied varies based on drop in sink ordered).
 Includes 4" O.C. **K-50** faucet & basket drain.

CONSTRUCTION:

Bowls fabricated from one sheet of stainless steel.
 All bowls are Sound Deadened.
 Units feature Advance Tabco's **Smart Finish™**.

MECHANICAL:

Faucet supply is 1/2" IPS male thread.
 Deck mounted faucets are furnished with aerator.

MATERIAL:

18 gauge type 304 series stainless steel (DI-3-10 is 20 gauge).
 Faucets are brass-nickel plated.
 Stainless Steel 1-1/2" IPS basket drain.

NSF NOTE: Multi-Compartment Drop-In Sinks ARE NSF Approved when used in Mobile Food Carts and Kiosks only.



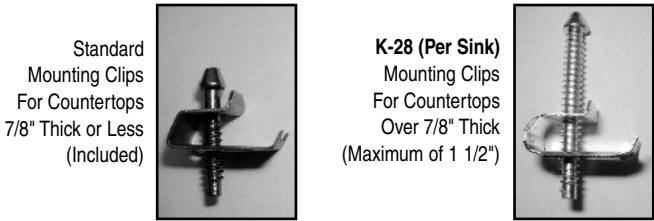
DI-3-10



DI-3-1612



DI-3-1410



Standard Mounting Clips For Countertops 7/8" Thick or Less (Included)

K-28 (Per Sink) Mounting Clips For Countertops Over 7/8" Thick (Maximum of 1 1/2")

Available Faucets & Accessories	Model #	Qty
Deck Mounted 8" Swing Spout. 4" O.C.	K-50	
Deck Mounted 12" Swing Spout. 4" O.C.	K-53	
Deck Mounted 8 1/2" Large Gooseneck. 4" O.C.	K-55	
Deck Mounted Swing w/Spray. 8" O.C.*	K-58	
Thick-Counter Mounting Clips for Countertops over 7/8" and up to 2". (Qty. supplied varies based on sink ordered)	K-28	

*REQUIRES K-472 FAUCET HOLE REVISION

Standard Faucet conforms to NSF 61 Standard 9. An optional faucet upgrade is required for compliance to AB 1953 Standards.

For Replacement Faucets & Upgrades, Drains & Accessories visit our website at www.advancetabco.com

<p>www.advancetabco.com</p>	Customer Service Available To Assist You 1-800-645-3166 8:30 am - 8:00 pm E.S.T. Email Orders To: customer@advancetabco.com . For Smart Fabrication™ Quotes, Email To: smartfab@advancetabco.com or Fax To: 631-586-2933		
	NEW YORK Fax: (631) 242-6900	GEORGIA Fax: (770) 775-5625	TEXAS Fax: (972) 932-4795

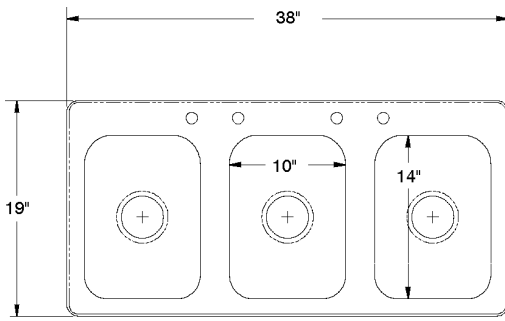
DIMENSIONS and SPECIFICATIONS

TOL ± .125"

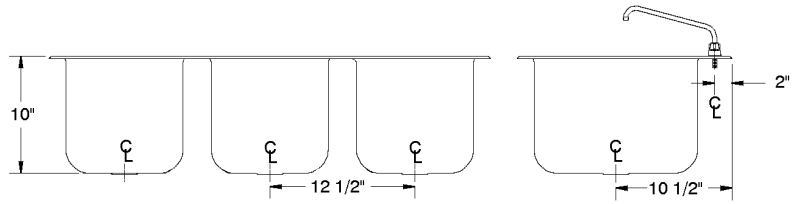
Supplied with Two K-50 Faucets & K-6 Basket Drain

ALL DIMENSIONS ARE TYPICAL

DI-3-10

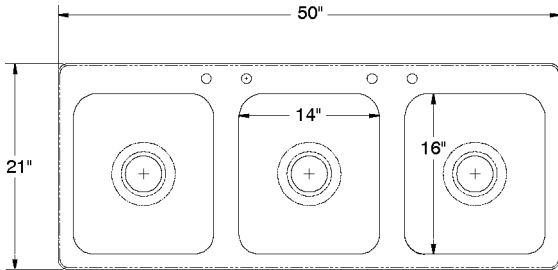


Cut-Out Size
37 1/4" x 18 1/4"
1 1/4" radius corners

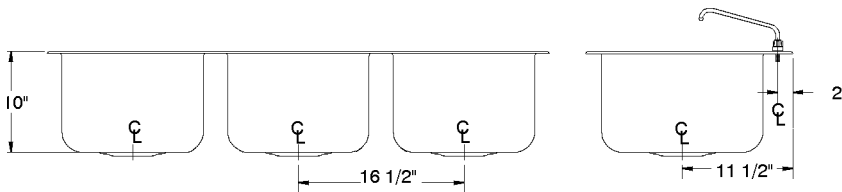


Approx. Wt. 34 lbs.

DI-3-1410

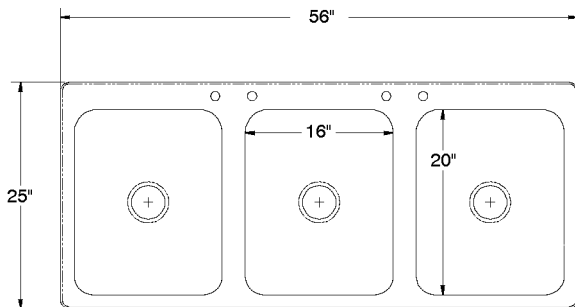


Cut-Out Size
49 1/4" x 20 1/4"
1 1/4" radius corners



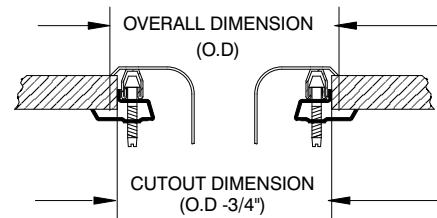
Approx. Wt. 50 lbs.

DI-3-1612

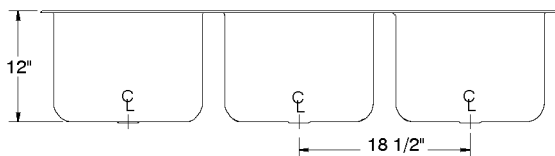


Cut-Out Size
55 1/4" x 24 1/4"
1 1/4" radius corners

TYPICAL INSTALLATION



Cut-Out Size = L to R x F to B



Approx. Wt. 60 lbs.



ADVANCE TABCO is constantly engaged in a program of improving our products. Therefore, we reserve the right to change specifications without prior notice.