



STAINLESS STEEL
HAND SINKS 
STANDARD

SPLASH MOUNTED FAUCETS



7-PS-60



7-PS-68



7-PS-50

DECK MOUNTED FAUCET



7-PS-20



7-PS-67

SINGLE HOLE PUNCH
 Faucet omitted



7-PS-71

DOUBLE HOLE PUNCH
 Faucet omitted



7-PS-70

LARGE SIZE SINK BOWLS

Features
 Large Size
 Sink Bowl
 16" x 20" x 8"



7-PS-45

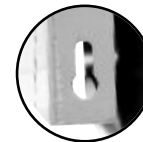
Features
 Large Size
 Sink Bowl
 16" x 14" x 8"



7-PS-49

Item #: _____ **Qty #:** _____
Model #: _____
Project #: _____

Keyhole Bracket for easier installation and greater stability.



FEATURES:

One piece **Deep Drawn** sink bowl design.
 Sink bowl is 10" x 14" x 5".
7-PS-45 sink bowl size is 16" x 20" x 8"
7-PS-49 sink bowl size is 16" x 14" x 8"
 All sink bowls have a large liberal radii with a minimum dimension of 2" and are rectangular in design for increased capacity.
 Keyhole wall mount bracket.
 Stainless steel basket drain 1-1/2" IPS.

Specific Features:

7-PS-50 features lever operated drain and built-in overflow with plastic overflow tube and spring clamps. P-Trap is 1 1/2".
7-PS-20 4" O.C. deck mounted centerset faucet furnished with aerator.
7-PS-50 & 7-PS-60 4" O.C. splash mounted gooseneck faucet, chrome plated & furnished with aerator.
7-PS-45 Same as above plus 2 Support Brackets (Hardware Included).
7-PS-67 features lever operated drain.
7-PS-68 4" O.C. splash mounted gooseneck faucet with Wrist Handles, chrome plated & furnished with aerator.

CONSTRUCTION:

All TIG welded.
 Welded areas blended to match adjacent surfaces and to a satin finish.
 Die formed Countertop Edge with a No-Drip offset.
 One sheet of stainless steel - No Seams.

MATERIAL:

Heavy gauge type 304 series stainless steel.
 Wall mounting bracket is Galvanized and of offset design.
 All fittings are brass / chrome plated unless otherwise indicated.

MECHANICAL:

Faucet supply is 1/2" IPS male thread hot and cold.

Standard Faucet conforms to NSF 61 Standard 9. An optional faucet upgrade is required for compliance to AB 1953 Standards.

For Replacement Faucets & Upgrades, Drains & Accessories visit our website at www.advancetabco.com



Customer Service Available To Assist You 1-800-645-3166 8:30 am - 8:00 pm E.S.T.
 Email Orders To: customer@advancetabco.com. For Smart Fabrication™ Quotes, Email To: smartfab@advancetabco.com or Fax To: 631-586-2933

NEW YORK
 Fax: (631) 242-6900

GEORGIA
 Fax: (770) 775-5625

TEXAS
 Fax: (972) 932-4795

NEVADA
 Fax: (775) 972-1578

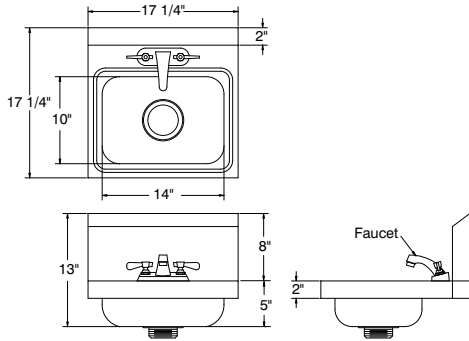
DIMENSIONS and SPECIFICATIONS

TOL Overall: ± .500" Interior: ± .250"

FITTINGS SUPPLIED AS SHOWN

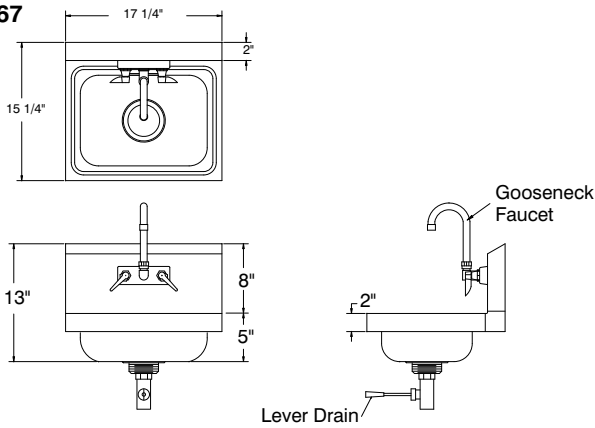
ALL DIMENSIONS ARE TYPICAL

7-PS-20



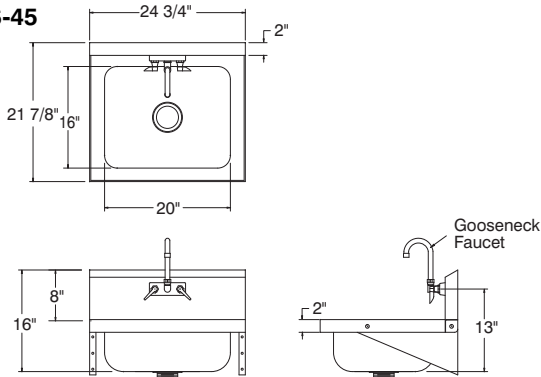
15 lbs.

7-PS-67



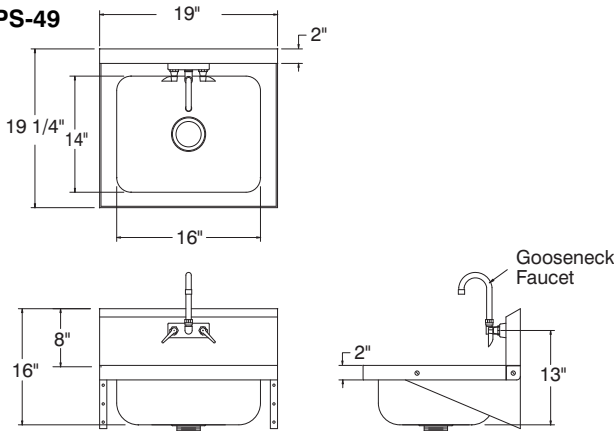
15 lbs.

7-PS-45



31 lbs.

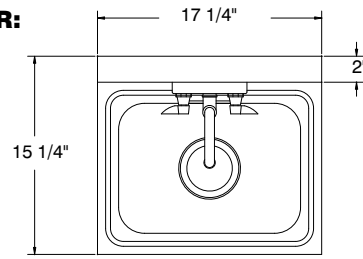
7-PS-49



31 lbs.

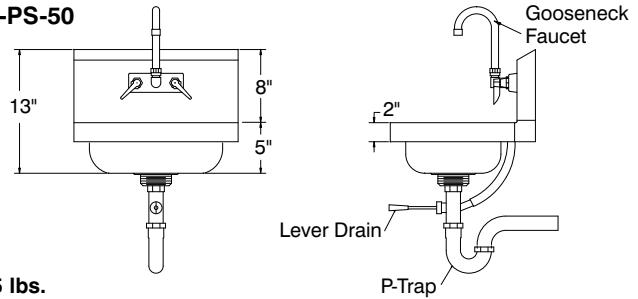
TOP VIEW FOR:

**7-PS-50
7-PS-60
7-PS-68
7-PS-70**



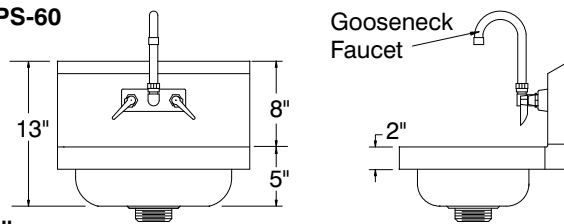
Sink Bowl 10" x 14" x 5"

7-PS-50



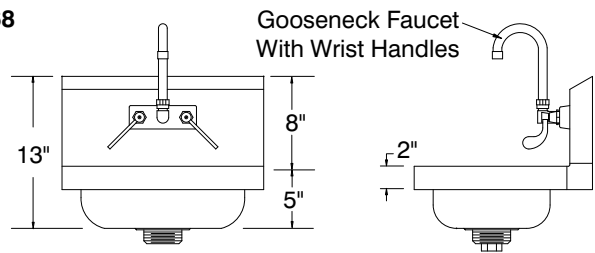
15 lbs.

7-PS-60



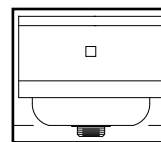
13 lbs.

7-PS-68

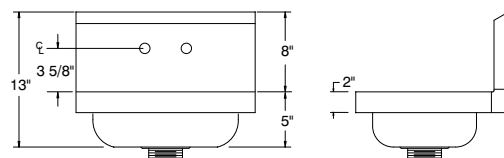


13 lbs.

7-PS-70



7-PS-71 Same as 7-PS-70 with Single Hole Cutout



12 lbs.

