



STAINLESS STEEL
HAND SINKS 
SPACE SAVER UNITS

Keyhole Bracket for easier installation and greater stability.



Item #: _____ *Qty #:* _____
Model #: _____
Project #: _____



7-PS-22



7-PS-23

FEATURES:

One piece **Deep Drawn** sink bowl design.
 Sink bowl is 9" x 9" x 5".
 All sink bowls have a large liberal radii with a minimum dimension of 1" and are square in design.
 Keyhole wall mount bracket.
 1 1/2" stainless steel drain with strainer plate.

Specific Features:

7-PS-22 and **7-PS-83** 4" O.C. centerset faucet furnished with aerator.
7-PS-23 and **7-PS-84** 4" O.C. splash mounted gooseneck faucet furnished with aerator.
7-PS-83 and **7-PS-84** liquid soap & towel dispenser with hinged towel box. Unit uses standard C-fold towels.

CONSTRUCTION:

All TIG welded.
 Welded areas blended to match adjacent surfaces and to a satin finish.
 Die formed Countertop Edge with a No-Drip offset.
 One sheet of stainless steel - No Seams.

MATERIAL:

Heavy gauge type 304 series stainless steel.
 Wall mounting bracket is stainless steel and of offset design.
 All fittings are brass / chrome plated unless otherwise indicated.

MECHANICAL:

Faucet supply is 1/2" IPS male thread hot and cold.

WITH SOAP & TOWEL DISPENSERS



7-PS-84



7-PS-83

Standard Faucet conforms to NSF 61 Standard 9. An optional faucet upgrade is required for compliance to AB 1953 Standards.

For Replacement Faucets & Upgrades, Drains & Accessories visit our website at www.advancetabco.com



Customer Service Available To Assist You 1-800-645-3166 8:30 am - 8:00 pm E.S.T.
 Email Orders To: customer@advancetabco.com. For Smart Fabrication™ Quotes, Email To: smartfab@advancetabco.com or Fax To: 631-586-2933

NEW YORK
 Fax: (631) 242-6900

GEORGIA
 Fax: (770) 775-5625

TEXAS
 Fax: (972) 932-4795

NEVADA
 Fax: (775) 972-1578

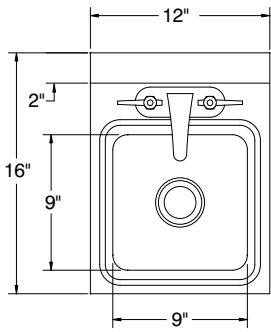
DIMENSIONS and SPECIFICATIONS

TOL Overall: ± .500" Interior: ± .250"

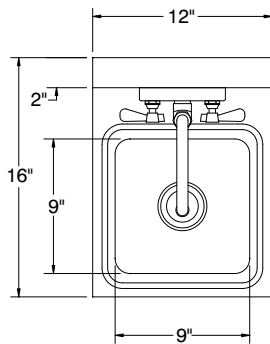
FITTINGS SUPPLIED AS SHOWN

ALL DIMENSIONS ARE TYPICAL

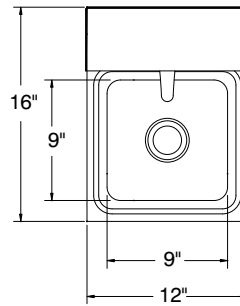
TOP VIEW FOR 7-PS-22



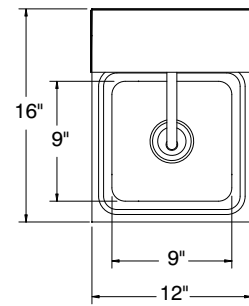
TOP VIEW FOR 7-PS-23



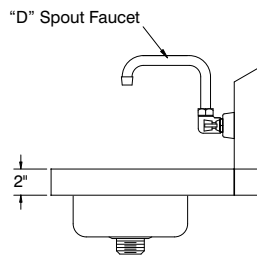
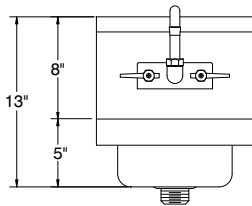
TOP VIEW FOR 7-PS-83



TOP VIEW FOR 7-PS-84

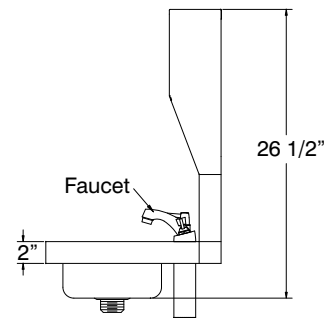
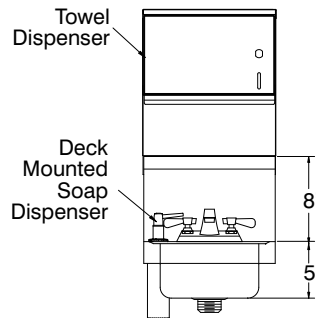


7-PS-23



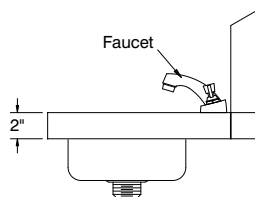
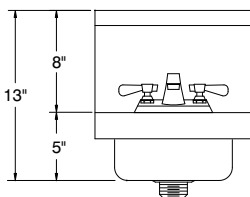
12 lbs.

7-PS-83



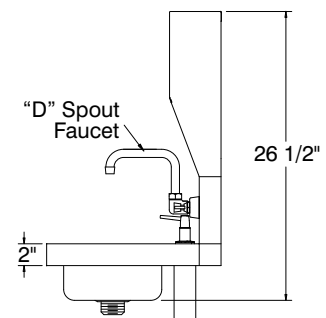
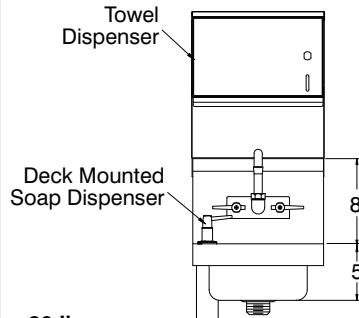
20 lbs.

7-PS-22



12 lbs.

7-PS-84



20 lbs.

